

Overall:
192"W x 35"D x 45 1/4"H

MATERIALS:

- HP-Laminate PB-3/4
- 2mm Edge Tape On Shelf
- Plywood 1/2" Drawer Box
- 16" HD-Full Extension Drawer Guide
- Metro 96mm CC Matte Black Pull 4111-1055-P

COMMENTS:

- Overall: 192"W x 35"D x 45 1/4"H
- Color: Wilsonart - 000 - Custom Laminate
- Color - Powder Coated Paint
- Note: Dimensional Tolerance +/- .1/16"

TITLE: AHL 8170XXYY LD192R - 8170M6 - 192 ADA Lobby Desk Right

REVISION DATE:

NOTE: DESIGN AND DRAWINGS ARE PROPERTY OF DICKSON FURNITURE MANUFACTURERS LLC AND MAY NOT BE DUPLICATED OR REPRODUCED WITHOUT THE EXPRESS WRITTEN CONSENT OF DICKSON FURNITURE MANUFACTURERS LLC

QUANTITY

00

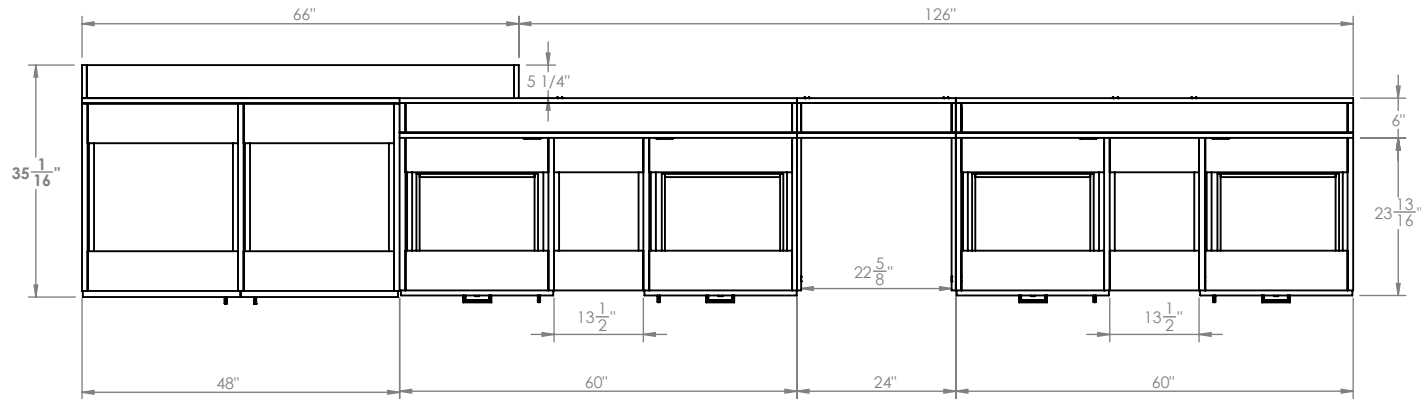
REV

A

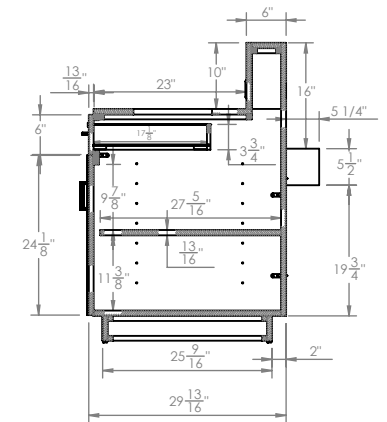
DIMENSIONS ARE IN INCHES

SCALE: 1:10

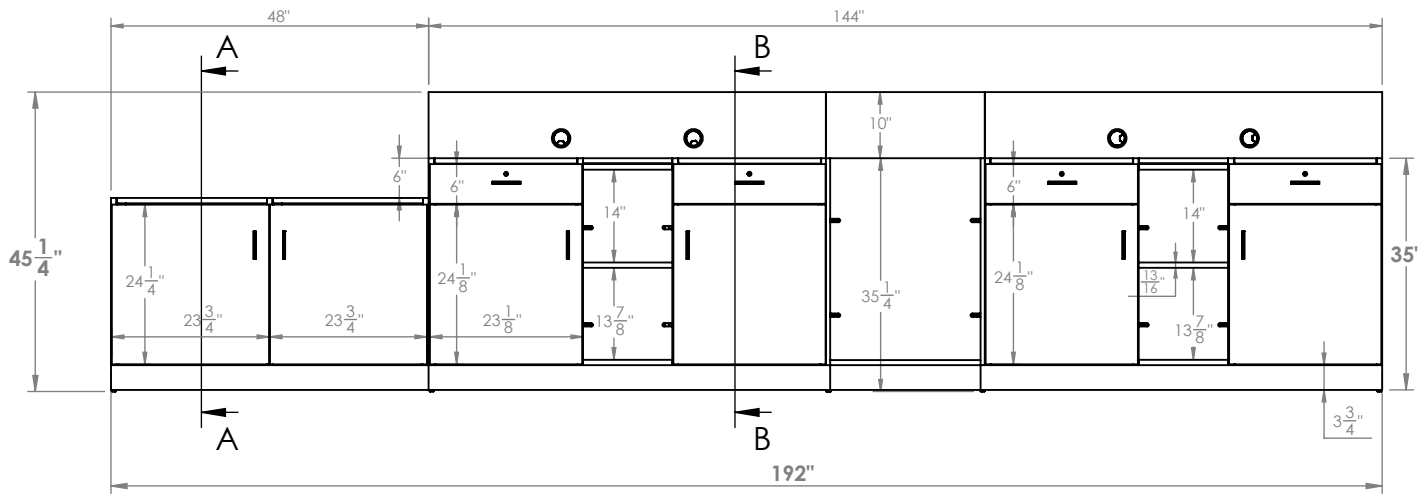
SHEET 1 OF 4



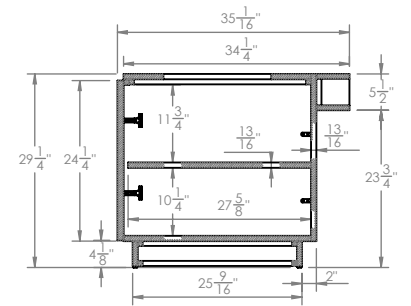
TOP VIEW



SECTION B-B



FRONT ELEVATION



SIDE VIEW

MATERIALS:

- HP-Laminate PB-3/4
- 2mm Edge Tape On Shelf
- Plywood 1/2" Drawer Box
- 16" HD-Full Extension Drawer Guide
- Metro 96mm CC Matte Black Pull 4111-1055-P

COMMENTS:

- Overall: 192"W x 35"D x 45 1/4"H
- Color: Wilsonart - 000 - Custom Laminate
- Color - Powder Coated Paint
- Note: Dimensional Tolerance +/- 1/16"

TITLE: AHL 8170XXYY LD192R - 8170M6 - 192 ADA Lobby Desk Right

REVISION DATE:

NOTE: DESIGN AND DRAWINGS ARE PROPERTY OF DICKSON FURNITURE MANUFACTURERS LLC AND MAY NOT BE DUPLICATED OR REPRODUCED WITHOUT THE EXPRESS WRITTEN CONSENT OF DICKSON FURNITURE MANUFACTURERS LLC

QUANTITY

00

REV

A

DIMENSIONS ARE IN INCHES

SCALE: 1:30

SHEET 2 OF 4



IMPORTANT INFORMATION

- AHL 8170XXYY LD192R - 8170M6 - 192" ADA Lobby Desk Right -



Lift parts with at least 2 people

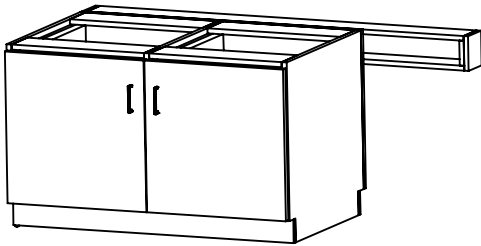
*RECOMMENDATIONS:

- Read instructions before assembling
- Keep area clean
- Do not drag the parts
- Do not forget to wear PPE

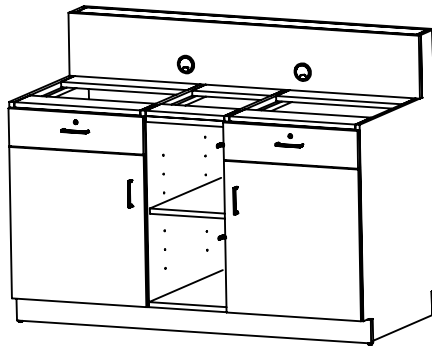
*PERSONAL PROTECTION EQUIPMENT (PPE)

- Hand Protection
- Eye Protection
- Waist Support belt

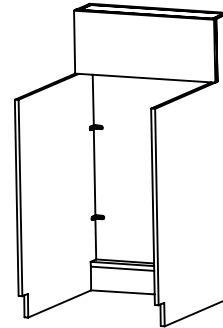
PARTS:



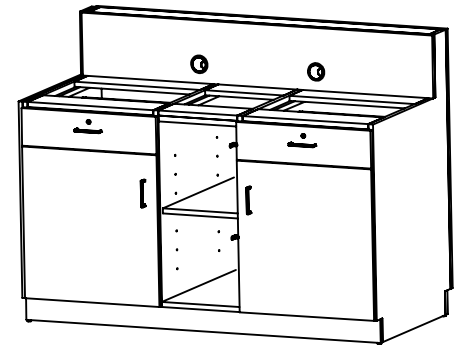
Pedestal ADA



Left Pedestal



Union



Right Pedestal

*Tools:



Water level



Measuring Tape



Pencil



Drill

*Hardware:



Screw



Shims

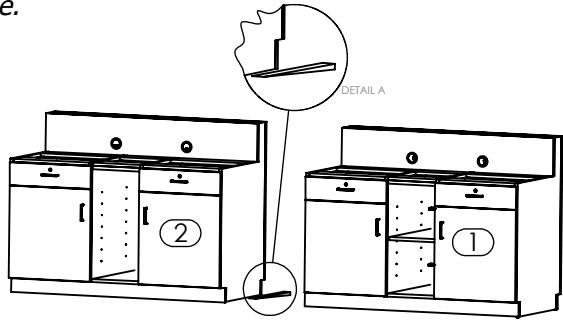
STEP #1

ASSEMBLY INSTRUCTIONS

- AHL 8170XXYY LD192R - 8170M6 - 192" ADA Lobby Desk Right -

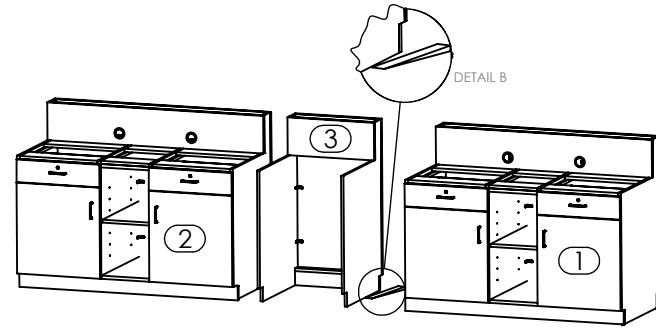
Note: Assembly can be done with 2 people.

1



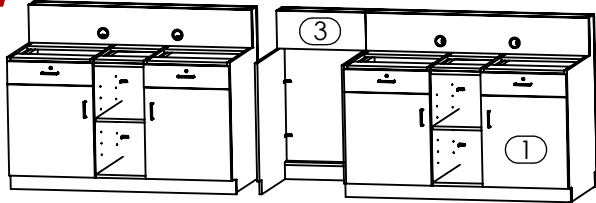
Align and Level Pedestals (1)(2) with shims and flush from the Back. Verify by using Water Level. (Reference Detail A).

2



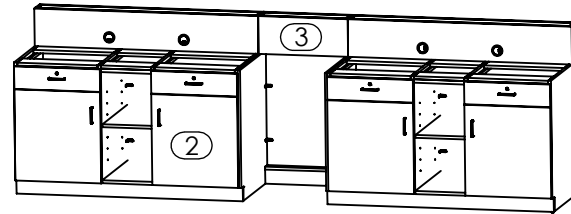
Align and Level Pedestals (1)(2) to Union (3) with shims and flush from the Back. Verify by using Water Level. (Reference Detail B).

4



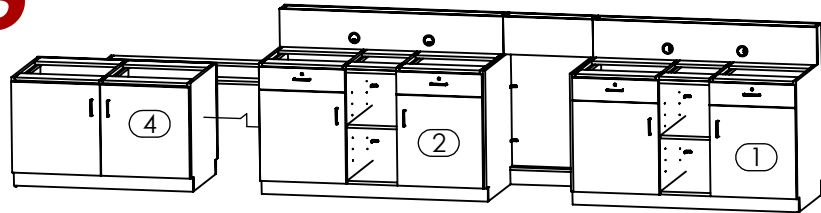
Attach Union (3) to Pedestal (1) flush from the Back.

4



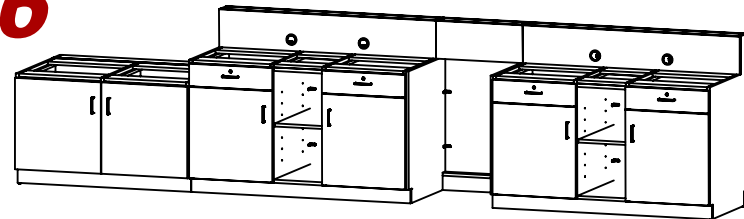
Attach Union (3) to Pedestal (2) flush from the Back.

5



Align and Attach Pedestal ADA (4) to Pedestals (1)(2) flush from the Back.

6



ADA Lobby Desk Right completely assembled