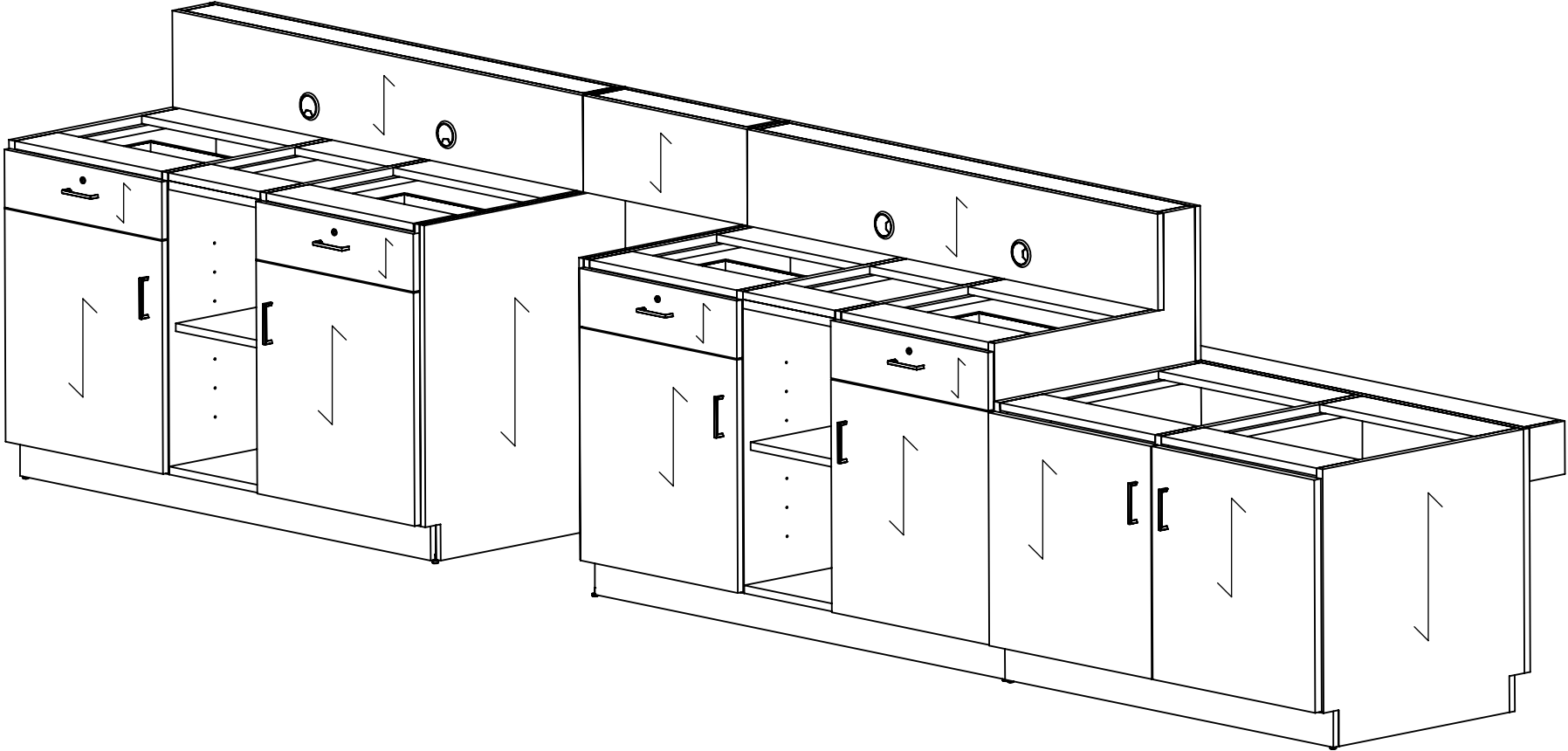




EXPECT
Furniture Manufacture



Overall:
192"W x 35"D x 45 1/4"H

MATERIALS:

- HP Laminates PB-3/4
- 2mm Edge Tape On Shelf
- Plywood 1/2" Drawer Box
- 16" HD-Full Extension Drawer Guide
- Metro 96mm CC Matte Black Pull 4111-1055-P

COMMENTS:

- Overall: 192"W x 35"D x 45 1/4"H
- Color: Wilsonart - 000 - Custom Laminate
- Color - Powder Coated Paint
- Note: Dimensional Tolerance +/- 1/16"

TITLE: AHL 8170XXYY LD192L - 8170M6 - 192 ADA Lobby Desk Left

REVISION DATE:

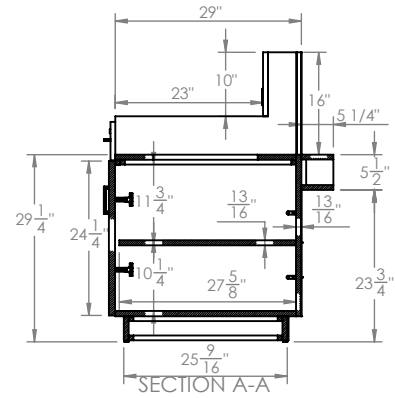
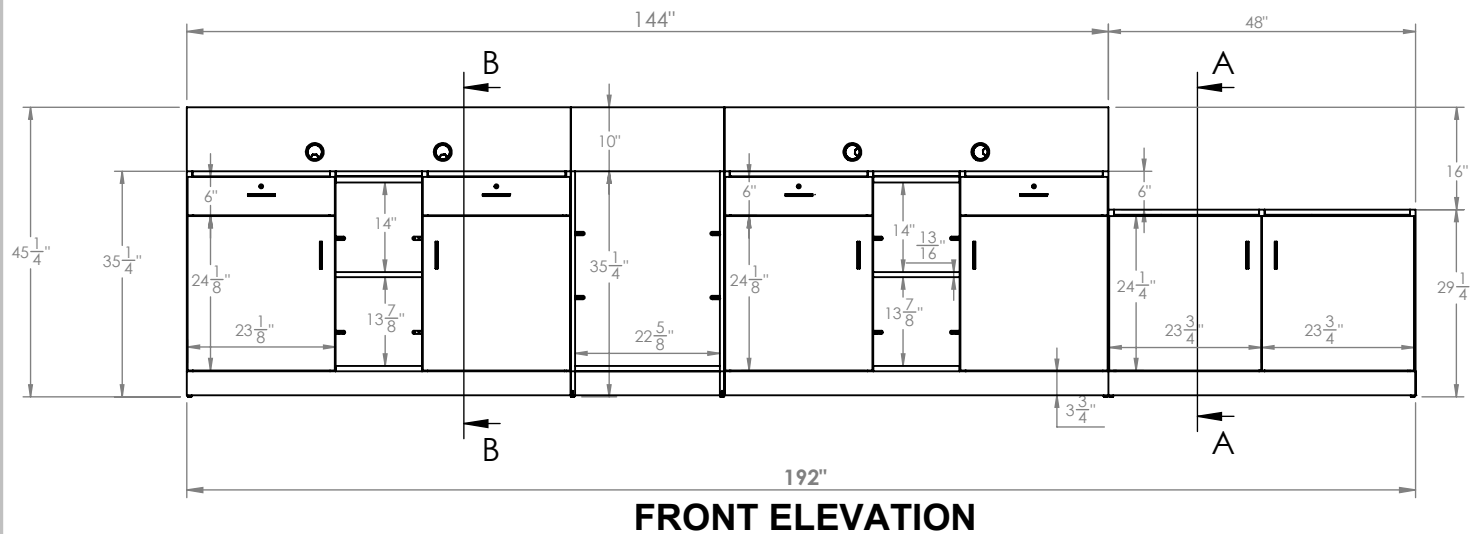
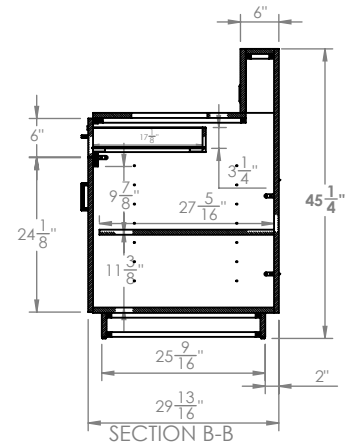
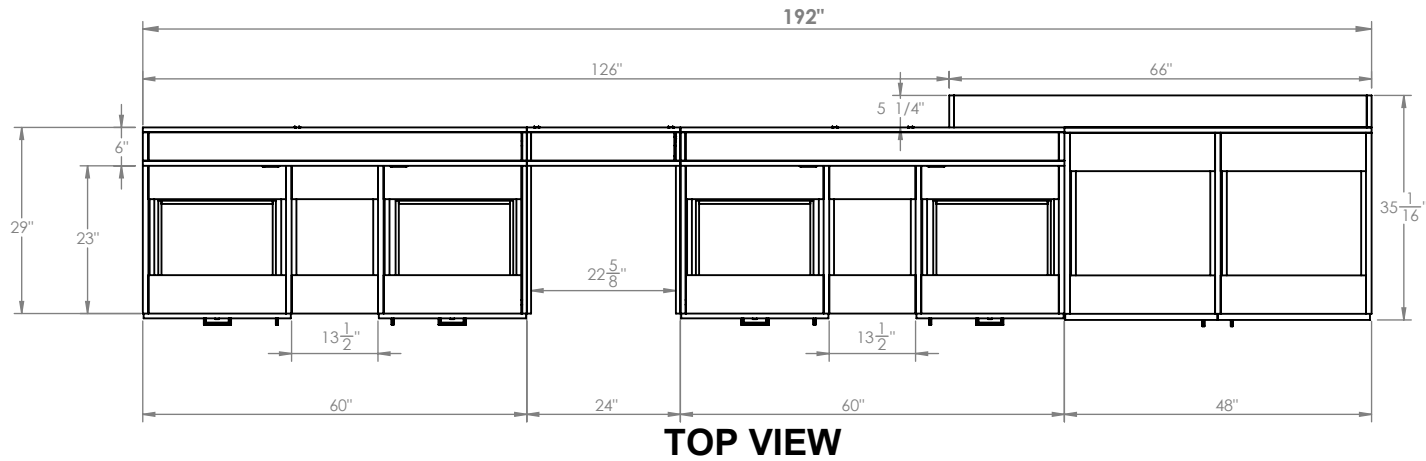
NOTE: DESIGN AND DRAWINGS ARE PROPERTY OF DICKSON FURNITURE MANUFACTURERS LLC AND MAY NOT BE DUPLICATED OR REPRODUCED WITHOUT THE EXPRESS WRITTEN CONSENT OF DICKSON FURNITURE MANUFACTURERS LLC

QUANTITY	00
REV	A
DIMENSIONS ARE IN INCHES	

SCALE: 1:10
SHEET 1 OF 4

1

2



MATERIALS:

- HP-Laminate PB-3/4
- 2mm Edge Tape On Shelf
- Plywood 1/2" Drawer Box
- 16" HD-Full Extension Drawer Guide
- Metro 96mm CC Matte Black Pull 4111-1055-P

COMMENTS:

- Overall: 192"W x 35"D x 45 1/4"H
- Color: Wilsonart - 000 - Custom Laminate
- Color - Powder Coated Paint
- Note: Dimensional Tolerance +/- 1/16"

TITLE: AHL 8170XXYY LD192L - 8170M6 - 192 ADA Lobby Desk Left

REVISION DATE:

NOTE: DESIGN AND DRAWINGS ARE PROPERTY OF DICKSON FURNITURE MANUFACTURERS LLC AND MAY NOT BE DUPLICATED OR REPRODUCED WITHOUT THE EXPRESS WRITTEN CONSENT OF DICKSON FURNITURE MANUFACTURERS LLC

QUANTITY

00

REV

A

DIMENSIONS ARE IN INCHES

SCALE: 1:30

SHEET 2 OF 4

1

2



IMPORTANT INFORMATION

- AHL 8170XXYY LD192L - 8170M6 - 192" ADA Lobby Desk Left -



Lift parts with at least 2 people

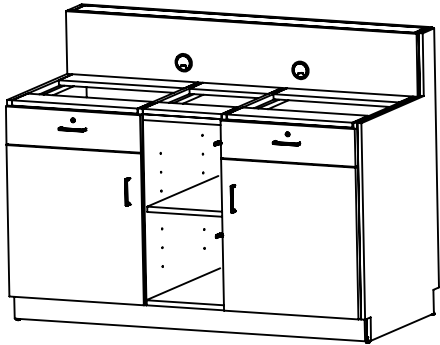
*RECOMMENDATIONS:

- Read instructions before assembling
- Keep area clean
- Do not drag the parts
- Do not forget to wear PPE

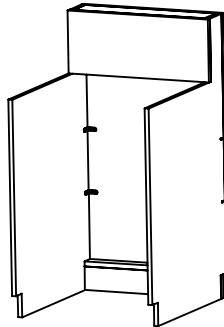
*PERSONAL PROTECTION EQUIPMENT (PPE)

- Hand Protection
- Eye Protection
- Waist Support belt

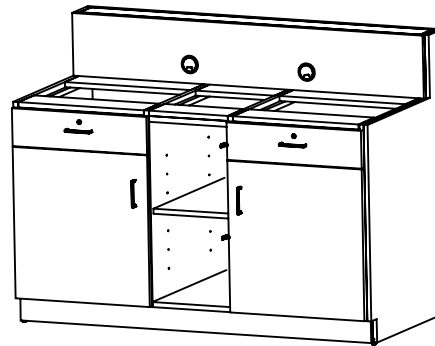
PARTS:



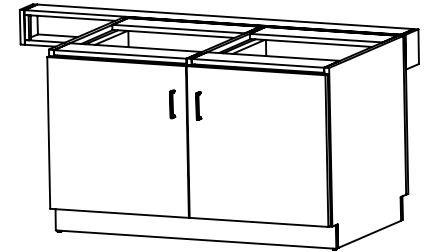
Left Pedestal



Union



Right Pedestal



Pedestal ADA

*Tools:



Water level



Measuring Tape



Pencil



Drill

*Hardware:



Screw



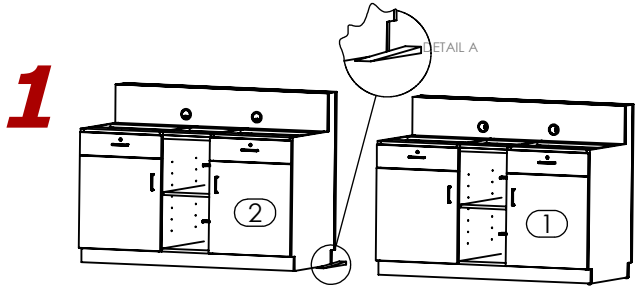
Shims

STEP #1

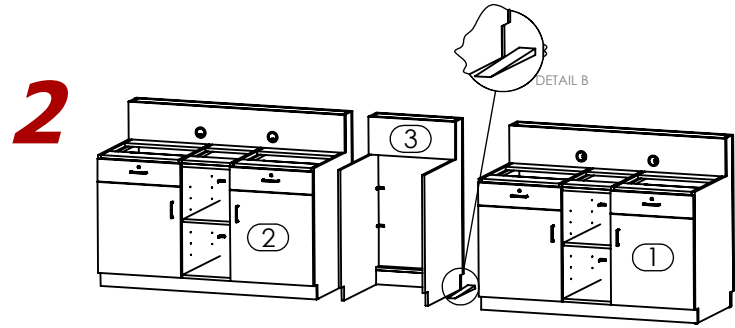
ASSEMBLY INSTRUCTIONS

- AHL 8170XXYY LD192L - 8170M6 - 192" ADA Lobby Desk Left -

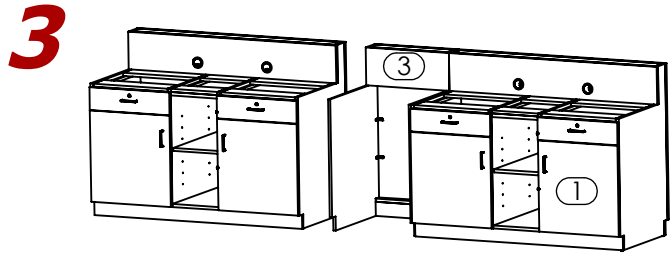
Note: Assembly can be done with 2 people.



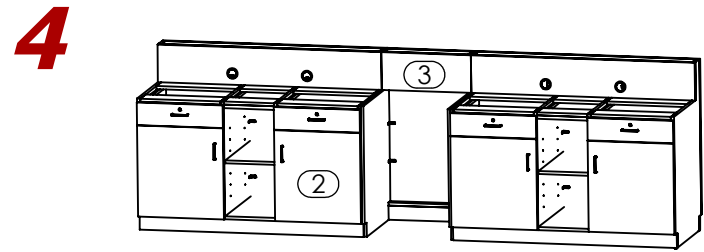
Align and Level Pedestals (1)(2) with shims and flush from the Back. Verify by using Water Level. (Reference Detail A).



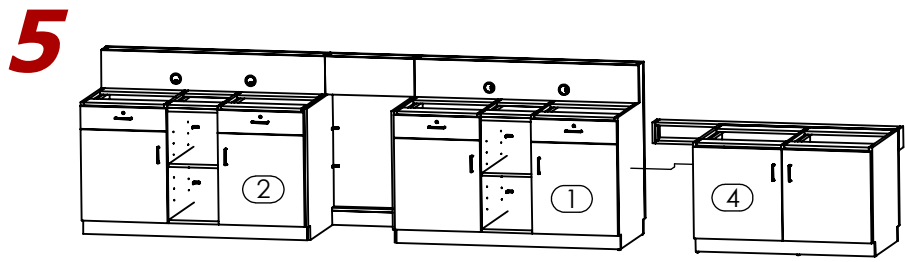
Align and Level Pedestals(1)(2) to Union(3) with shims and flush from the Back. Verify by using Water Level. (Reference Detail B).



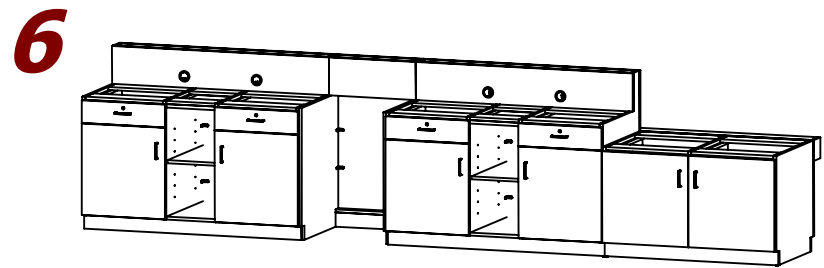
Attach Union(3) to Pedestal(1) flush from the Back.



Attach Union(3) to Pedestal(2) flush from the Back.



Align and Attach Pedestal ADA(4) to Pedestals(1)(2), flush from the Back.



ADA Lobby Desk Left completely assembled