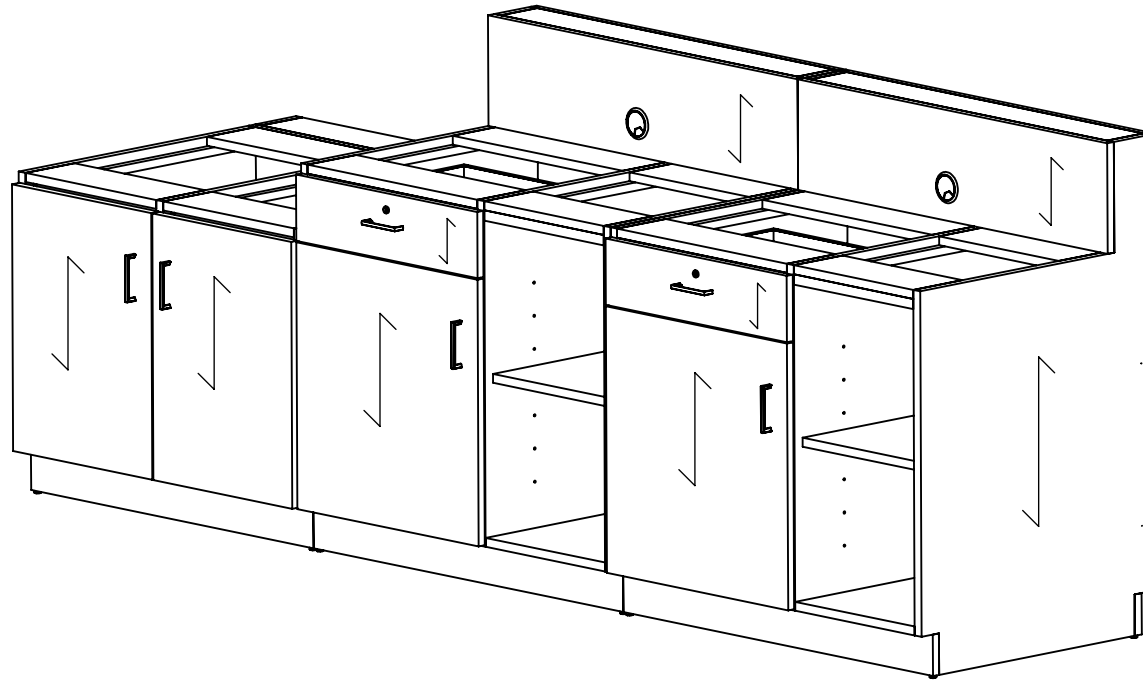


1

2



Overall:
115"W x 34 1/4"D x 45 1/4"H

MATERIALS:

- HP-Laminate PB-3/4
- 2mm Edge Tape On Shelf
- Plywood 1/2" Drawer Box
- 16" HD-Full Extension Drawer Guide
- Metro 96mm CC Matte Black Pull 4111-1055-P

COMMENTS:

- Overall: 115"W x 34 1/4"D x 45 1/4"H
- Color: Wilsonart - 000 - Custom Laminate
- Color - Powder Coated Paint
- Note: Dimensional Tolerance +/- 1/16"

TITLE: AHL 8170XXYY LD115R - 8170M6 - 115 ADA Lobby Desk Right

REVISION DATE:

NOTE: DESIGN AND DRAWINGS ARE PROPERTY OF DICKSON FURNITURE MANUFACTURERS LLC AND MAY NOT BE DUPLICATED OR REPRODUCED WITHOUT THE EXPRESS WRITTEN CONSENT OF DICKSON FURNITURE MANUFACTURERS LLC

QUANTITY

00

REV

A

DIMENSIONS ARE IN INCHES

SCALE: 1:10

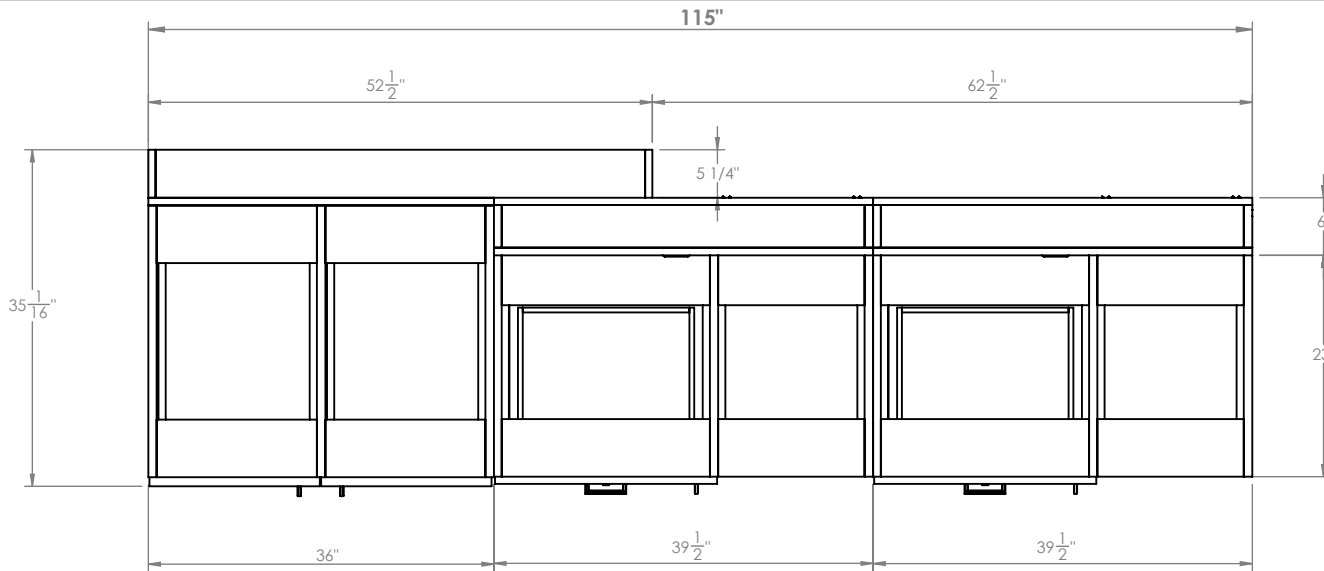
SHEET 1 OF 4

1

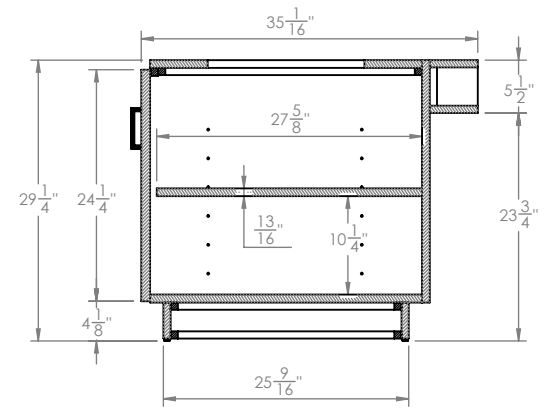
2

1

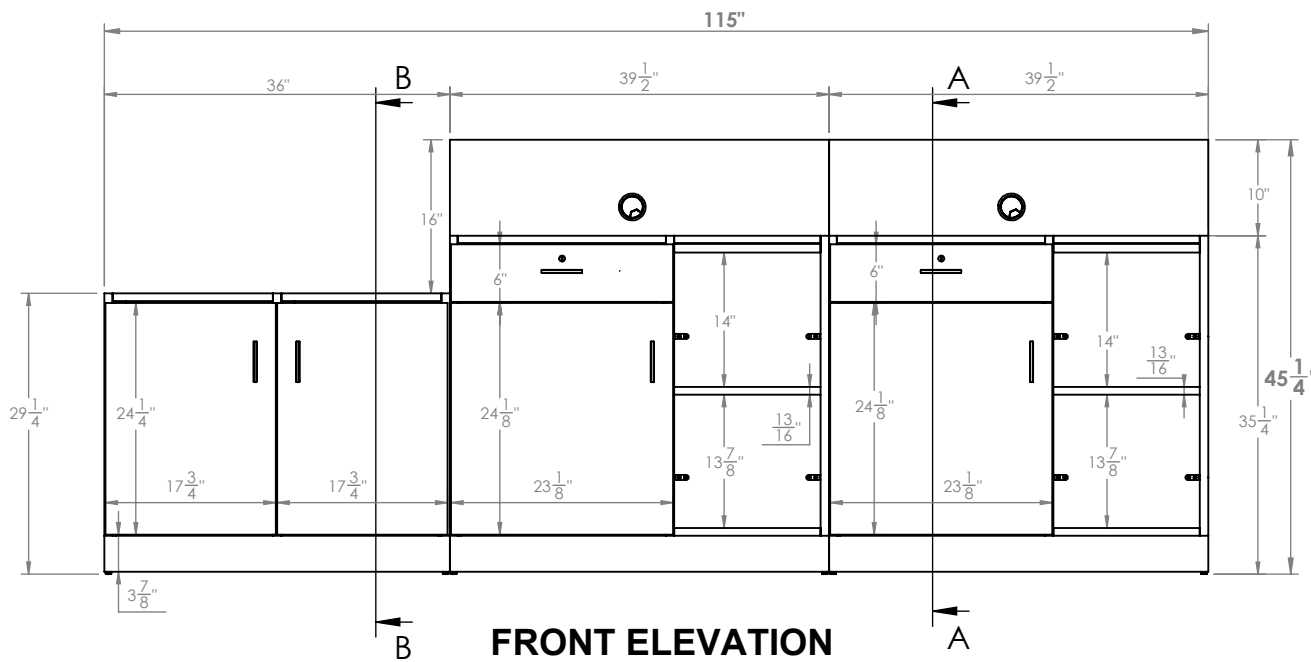
2



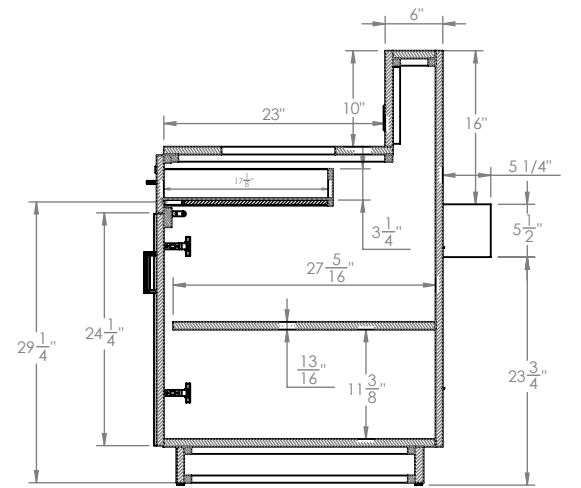
TOP VIEW



SECTION B-B



FRONT ELEVATION



SIDE VIEW

MATERIALS:

- HP-Laminate PB-3/4
- 2mm Edge Tape On Shelf
- Plywood 1/2" Drawer Box
- 16" HD-Full Extension Drawer Guide
- Metro 96mm CC Matte Black Pull 4111-1055-P

COMMENTS:

- Overall: 115"W x 34 1/4"D x 45 1/4"H
- Color: Wilsonart - 000 - Custom Laminate
- Color - Powder Coated Paint
- Note: Dimensional Tolerance +/- 1/16"

TITLE: AHL 8170XXYY LD115R - 8170M6 - 115 ADA Lobby Desk Right

REVISION DATE:

NOTE: DESIGN AND DRAWINGS ARE PROPERTY OF DICKSON FURNITURE MANUFACTURERS LLC AND MAY NOT BE DUPLICATED OR REPRODUCED WITHOUT THE EXPRESS WRITTEN CONSENT OF DICKSON FURNITURE MANUFACTURERS LLC

QUANTITY

00

REV

A

DIMENSIONS ARE IN INCHES

SCALE: 1:20

SHEET 2 OF 4

1

2



IMPORTANT INFORMATION

- AHL 8170XXYY LD115R - 8170M6 - 115" ADA Lobby Desk Right -



Lift parts with at least 2 people

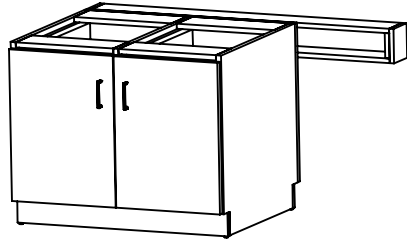
*RECOMMENDATIONS:

- Read instructions before assembling
- Keep area clean
- Do not drag the parts
- Do not forget to wear PPE

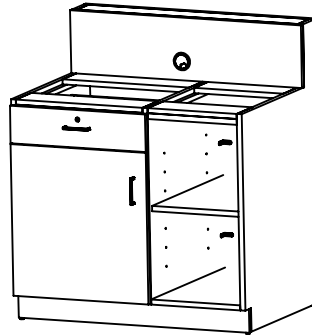
*PERSONAL PROTECTION EQUIPMENT (PPE)

- Hand Protection
- Eye Protection
- Waist Support belt

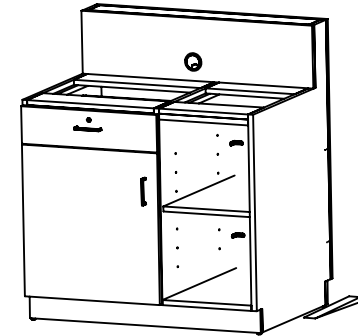
PARTS:



Pedestal ADA



Left Pedestal



Right Pedestal

*Tools:



Water level



Measuring Tape



Pencil



Drill

*Hardware:



Screw



Shims

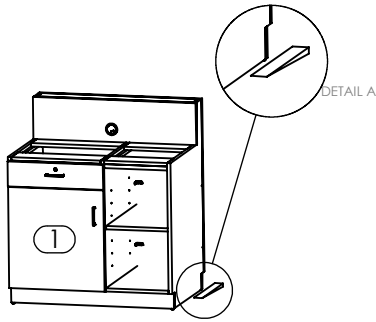
STEP #1

ASSEMBLY INSTRUCTIONS

- AHL 8170XXYY LD115R - 8170M6 - 115" ADA Lobby Desk Right -

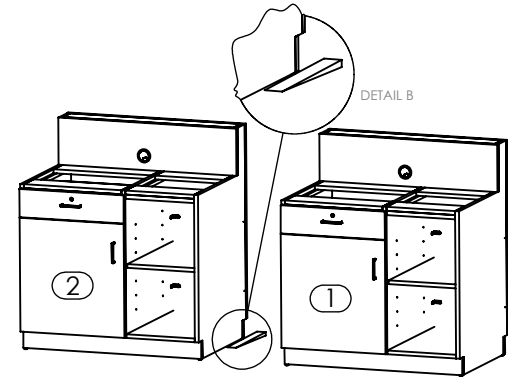
Note: Assembly can be done with 2 people.

1



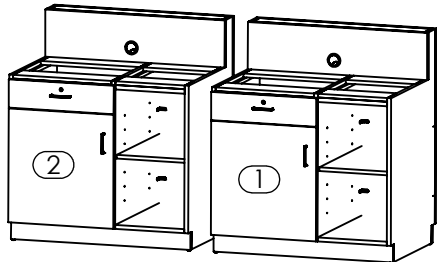
Level the Right Pedestal(1) with shims. Verify by using Water Level. (Reference Detail A).

2



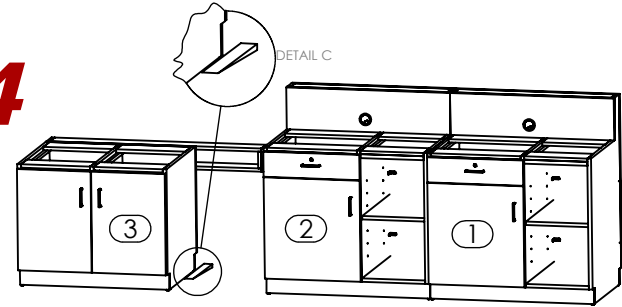
Level the Left Pedestal(2) with shims. Verify by using Water Level. (Reference Detail B).

3



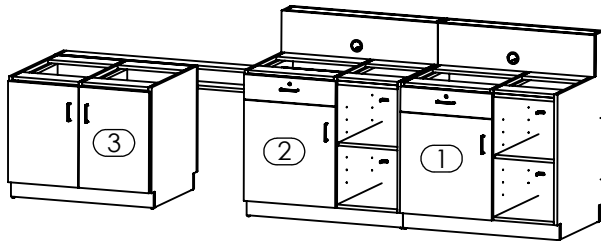
Align pedestals(1)(2) flush from the Back.

4



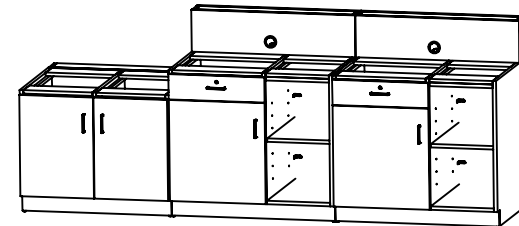
Level the Pedestal ADA(3) with the shims. Verify by using Water Level. (Reference Detail C).

5



Align the Pedestal ADA(3) with Pedestals(1)(2) flush from the Back.

6



ADA Lobby Desk Right completely assembled.