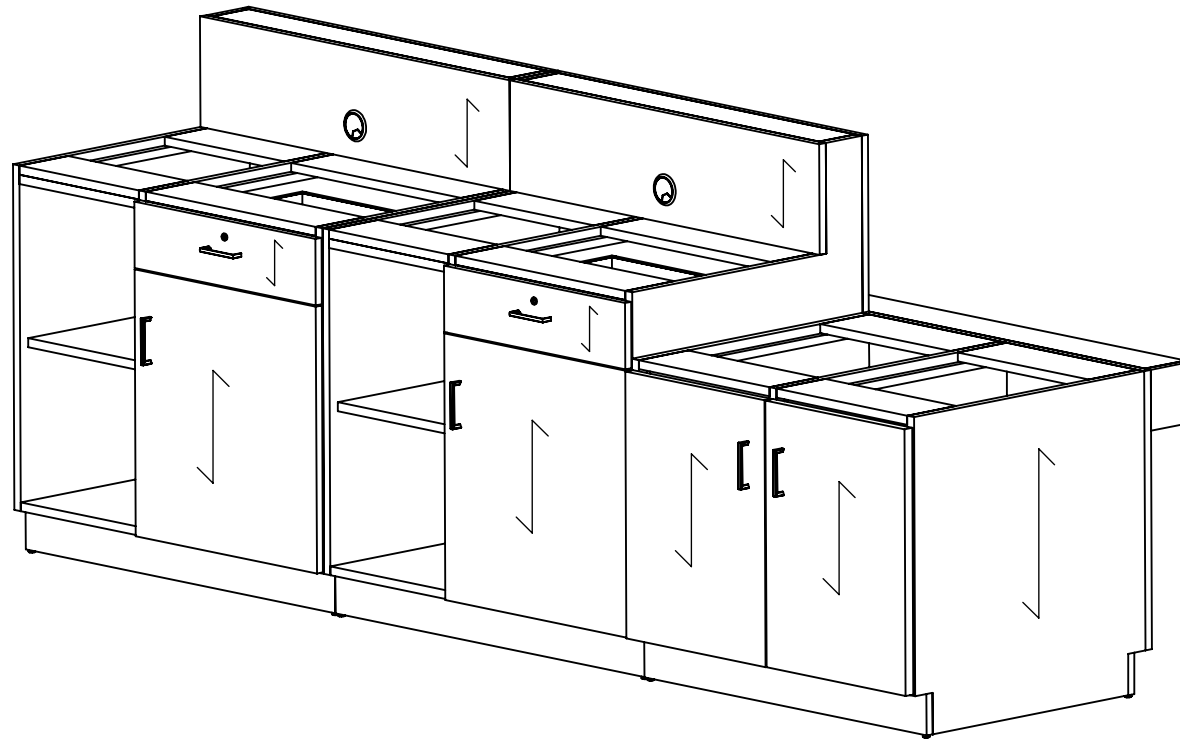


1

2



**Overall:**  
115"W x 34 1/4"D x 45 1/4"H

**MATERIALS:**

- HP-Laminate PB-3/4
- 2mm Edge Tape On Shelf
- Plywood 1/2" Drawer Box
- 16" HD-Full Extension Drawer Guide
- Metro 96mm CC Matte Black Pull 4111-1055-P

**COMMENTS:**

- Overall: 115"W x 34 1/4"D x 45 1/4"H
- Color: Wilsonart - 000 - Custom Laminate
- Color - Powder Coated Paint
- Note: Dimensional Tolerance +/- 1/16"

**TITLE:** AHL 8170XXYY LD115L - 8170M6 - 115 ADA Lobby Desk Left

REVISION DATE:

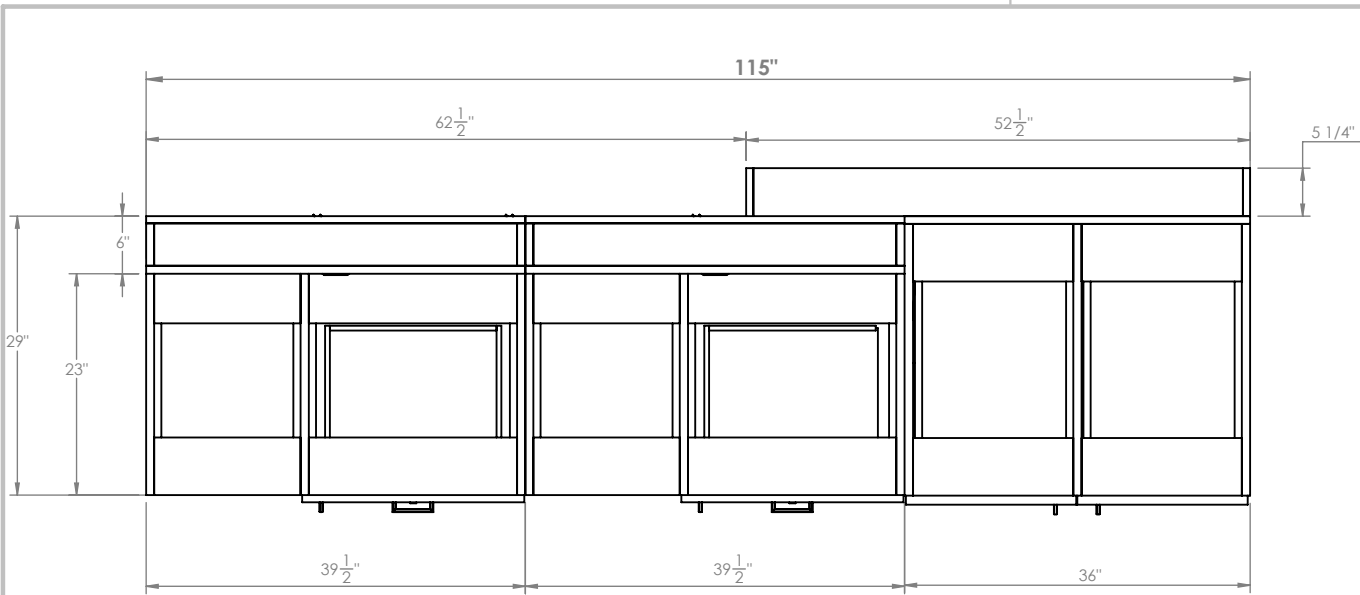
NOTE: DESIGN AND DRAWINGS ARE PROPERTY OF DICKSON FURNITURE MANUFACTURERS LLC AND MAY NOT BE DUPLICATED OR REPRODUCED WITHOUT THE EXPRESS WRITTEN CONSENT OF DICKSON FURNITURE MANUFACTURERS LLC

QUANTITY	00
REV	A
DIMENSIONS ARE IN INCHES	

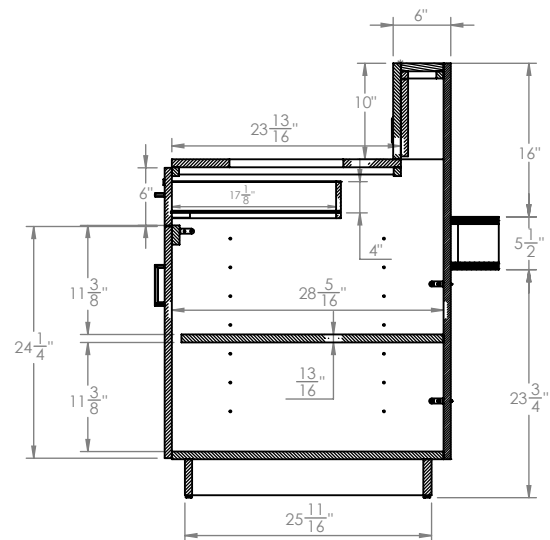
SCALE: 1:10  
SHEET 1 OF 4

1

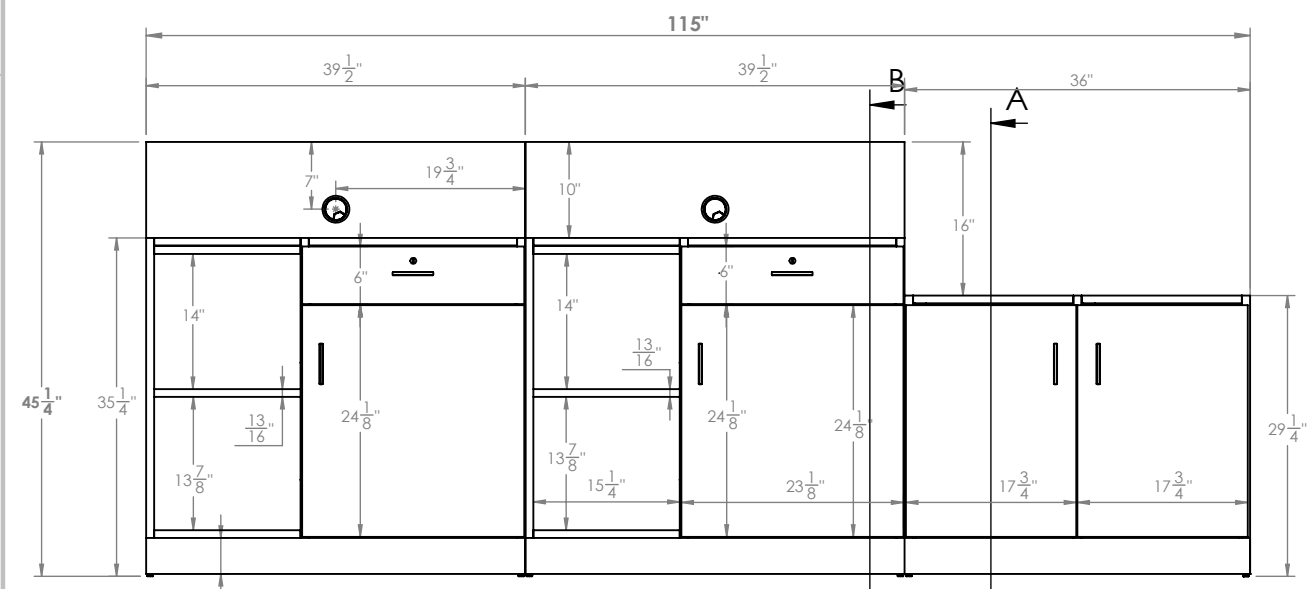
2



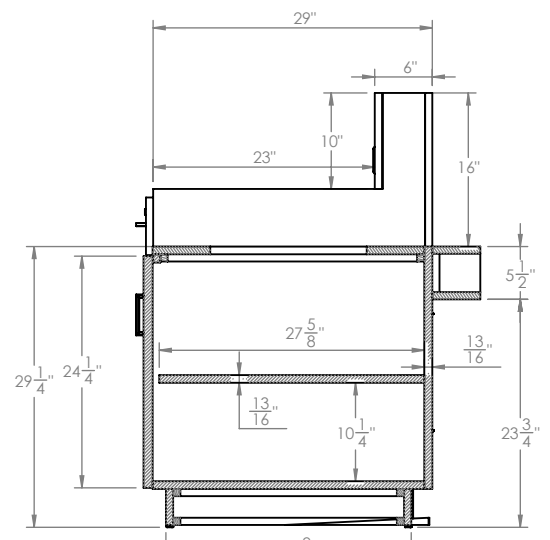
TOP VIEW



SECTION B-B



FRONT ELEVATION



SECTION A-A

- MATERIALS:**
- HP-Laminate PB-3/4
  - 2mm Edge Tape On Shelf
  - Plywood 1/2" Drawer Box
  - 16" HD-Full Extension Drawer Guide
  - Metro 96mm CC Matte Black Pull 4111-1055-P

- COMMENTS:**
- Overall: 192"W x 35"D x 45 1/4"H
  - Color: Wilsonart - 000 - Custom Laminate
  - Color - Powder Coated Paint
  - Note: Dimensional Tolerance +/- 1/16"

**TITLE:** AHL 8170XXYY LD115L - 8170M6 - 115 ADA Lobby Desk Left

**REVISION DATE:**

**QUANTITY**

**00**

**REV**

**A**

NOTE: DESIGN AND DRAWINGS ARE PROPERTY OF DICKSON FURNITURE MANUFACTURERS LLC AND MAY NOT BE DUPLICATED OR REPRODUCED WITHOUT THE EXPRESS WRITTEN CONSENT OF DICKSON FURNITURE MANUFACTURERS LLC

**SCALE:** 1:20

**SHEET 2 OF 4**



# IMPORTANT INFORMATION

- AHL 8170XXYY LD115L - 8170M6 - 115" ADA Lobby Desk Left -



Lift parts with at least 2 people

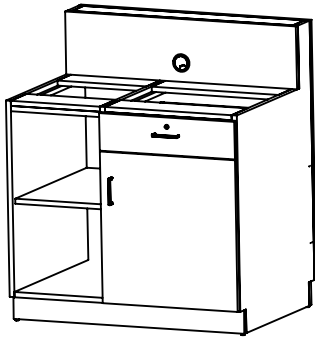
## \*RECOMMENDATIONS:

- Read instructions before assembling
- Keep area clean
- Do not drag the parts
- Do not forget to wear PPE

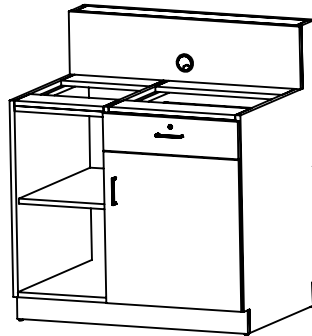
## \*PERSONAL PROTECTION EQUIPMENT (PPE)

- Hand Protection
- Eye Protection
- Waist Support belt

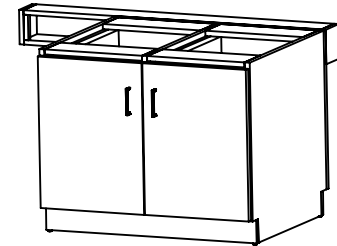
## PARTS:



Left Pedestal



Right Pedestal



Pedestal ADA

## \*Tools:



Water level



Measuring Tape



Pencil



Drill

## \*Hardware:



Screw



Shims

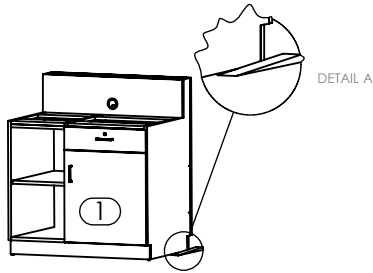
# STEP #1

# ASSEMBLY INSTRUCTIONS

- AHL 8170XXYY LD115L - 8170M6 - 115" ADA Lobby Desk Left -

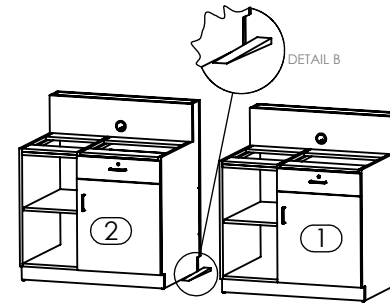
Note: Assembly can be done with 2 people.

1



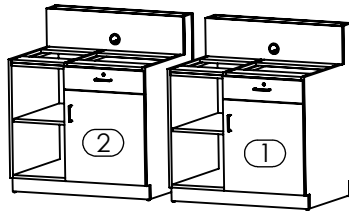
Level the Right Pedestal(1) with shims. Verify by using Water Level.(Reference Detail A).

2



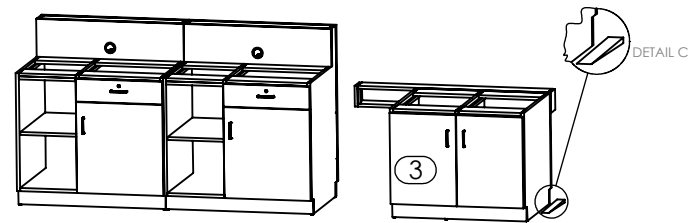
Level the Left Pedestal(2) with shims. Verify by using Water Level.(Reference Detail B).

3



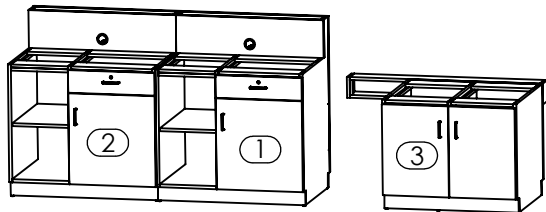
Align and Attach Pedestals(1)(2) flush from the Back.

4



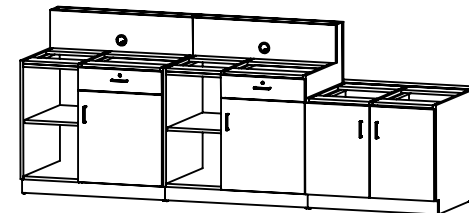
Level the Pedestal ADA(3) with shims. Verify by using Water Level.(Reference Detail C).

5



Align and Attach the Pedestal ADA(3) with Pedestals(1)(2) flush from the Back.

6



ADA Lobby Desk Left completely assembled.