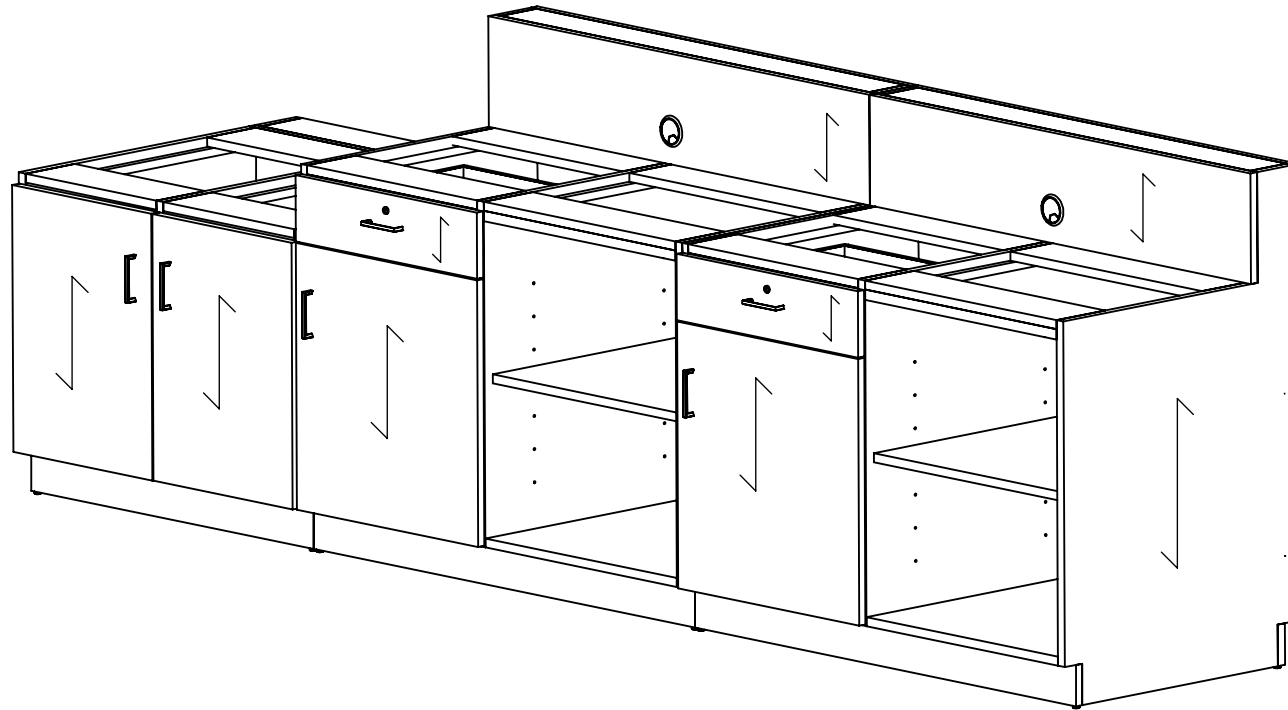


1

2



Overall:
133 1/4"W x 34 1/4"D x 45 1/4"H

MATERIALS:

- HP-Laminate PB-3/4
- 2mm Edge Tape On Shelf
- Plywood 1/2" Drawer Box
- 16" HD-Full Extension Drawer Guide
- Metro 96mm CC Matte Black Pull 4111-1055-P

COMMENTS:

- Overall: 133 1/4"W x 34 1/4"D x 45 1/4"H
- Color: Wilsonart - 000 - Custom Laminate
- Color - Powder Coated Paint
- Note: Dimensional Tolerance +/- 1/16"

TITLE: AHL 8170XXYY LD133R - 8170M6 - 133 ADA Lobby Desk Right

REVISION DATE:

NOTE: DESIGN AND DRAWINGS ARE PROPERTY OF DICKSON FURNITURE MANUFACTURERS LLC AND MAY NOT BE DUPLICATED OR REPRODUCED WITHOUT THE EXPRESS WRITTEN CONSENT OF DICKSON FURNITURE MANUFACTURERS LLC

| | |
|--------------------------|----|
| QUANTITY | 00 |
| REV | A |
| DIMENSIONS ARE IN INCHES | |

SCALE: 1:10

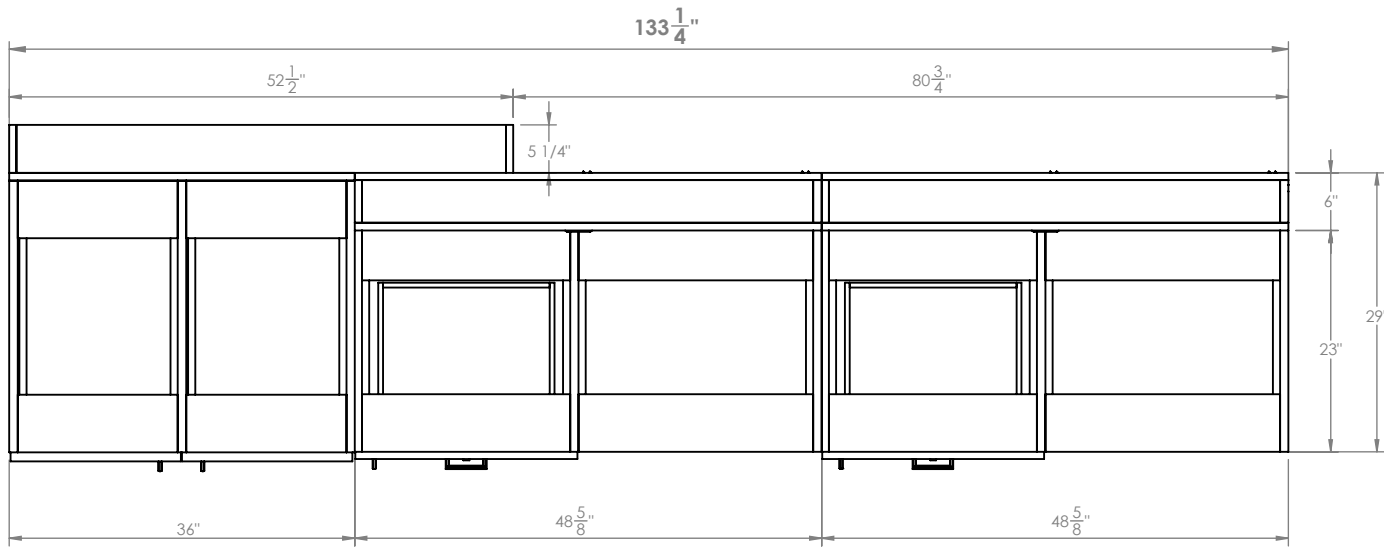
SHEET 1 OF 4

1

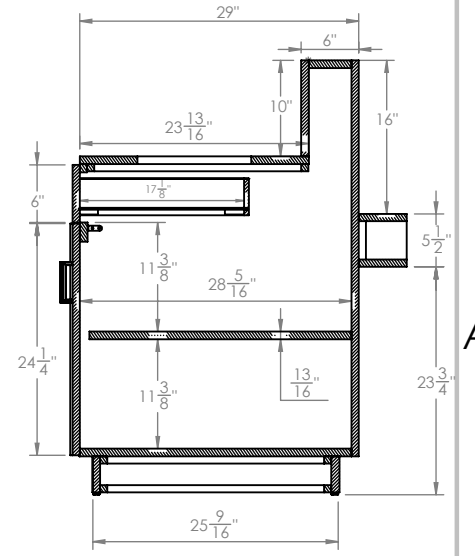
2

1

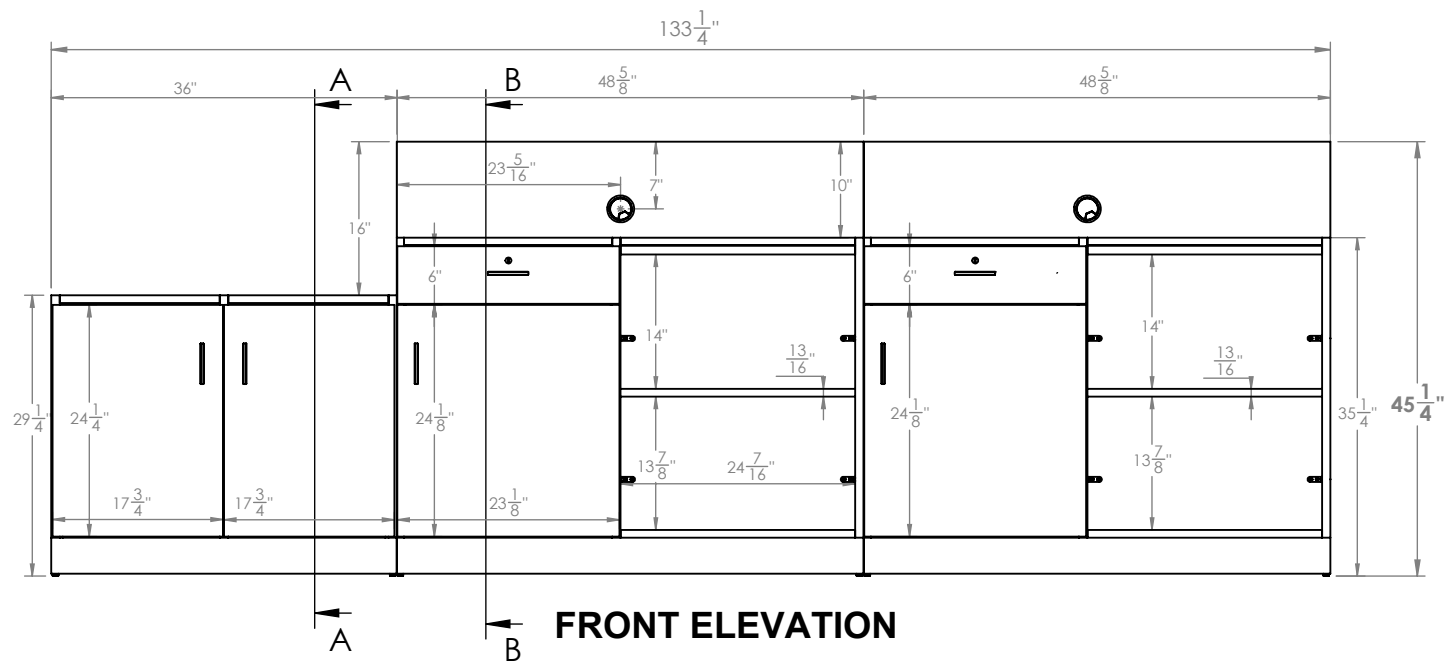
2



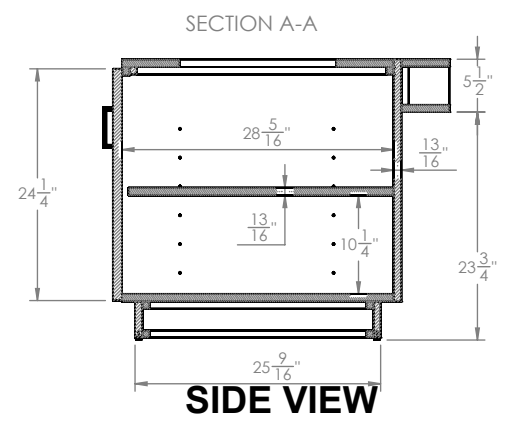
TOP VIEW



SECTION B-B



FRONT ELEVATION



SIDE VIEW

- MATERIALS:**
- HP-Laminate PB-3/4
 - 2mm Edge Tape On Shelf
 - Plywood 1/2" Drawer Box
 - 16" HD-Full Extension Drawer Guide
 - Metro 96mm CC Matte Black Pull 4111-1055-P

- COMMENTS:**
- Overall: 133 1/4"W x 34 1/4"D x 45 1/4"H
 - Color: Wilsonart - 000 - Custom Laminate
 - Color - Powder Coated Paint
 - Note: Dimensional Tolerance +/- 1/16"

TITLE: AHL 8170XXYY LD133R - 8170M6 - 133 ADA Lobby Desk Right
REVISION DATE:

NOTE: DESIGN AND DRAWINGS ARE PROPERTY OF DICKSON FURNITURE MANUFACTURERS LLC AND MAY NOT BE DUPLICATED OR REPRODUCED WITHOUT THE EXPRESS WRITTEN CONSENT OF DICKSON FURNITURE MANUFACTURERS LLC

QUANTITY
00
REV
A
DIMENSIONS
ARE IN
INCHES

SCALE: 1:20
SHEET 2 OF 4

1

2



IMPORTANT INFORMATION

- AHL 8170XXYY LD133R - 8170M6 - 133" ADA Lobby Desk Right -



Lift parts with at least 2 people

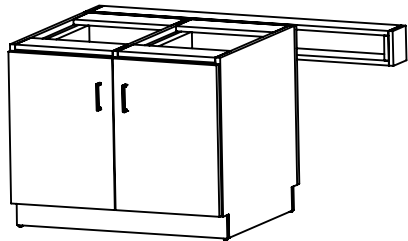
*RECOMMENDATIONS:

- Read instructions before assembling
- Keep area clean
- Do not drag the parts
- Do not forget to wear PPE

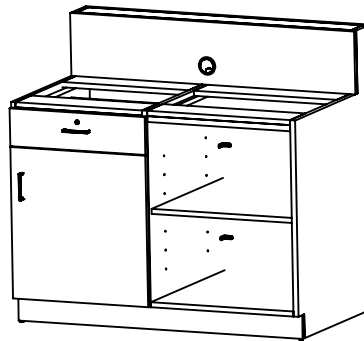
*PERSONAL PROTECTION EQUIPMENT (PPE)

- Hand Protection
- Eye Protection
- Waist Support belt

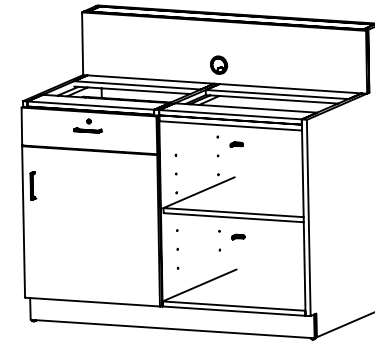
PARTS:



Pedestal ADA



Left Pedestal



Right Pedestal

*Tools:



Water level



Measuring Tape



Pencil



Drill

*Hardware:



Screw



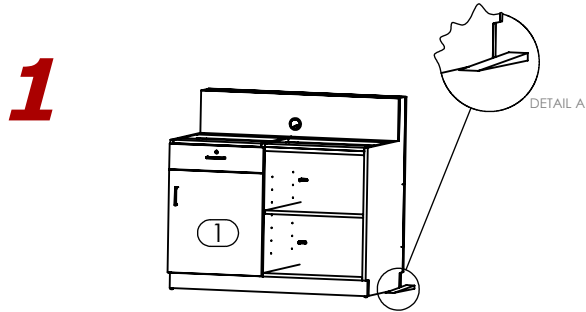
Shims

STEP #1

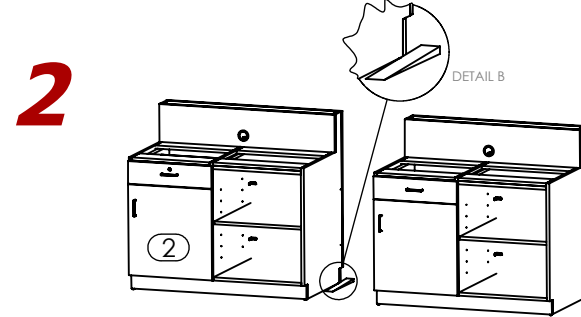
ASSEMBLY INSTRUCTIONS

Note: Assembly can be done with 2 people.

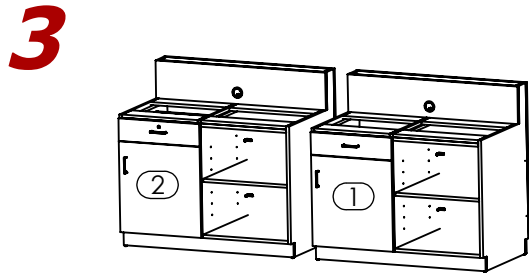
- AHL 8170XXYY LD133R - 8170M6 - 133" ADA Lobby Desk Right -



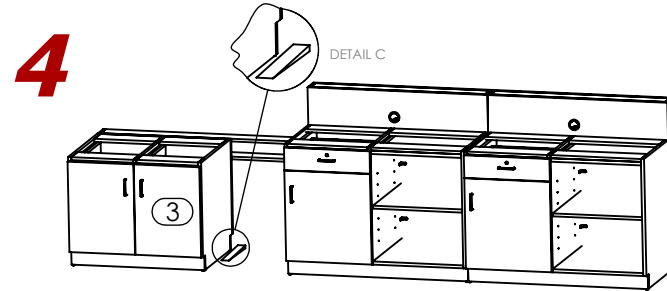
Level the Right Pedestal(1) with shims. Verify by using Water Level. (Reference Detail A).



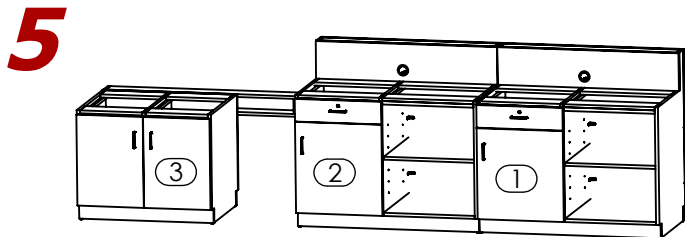
Level the Left Pedestal(2) with shims. Verify by using Water Level. (Reference Detail B).



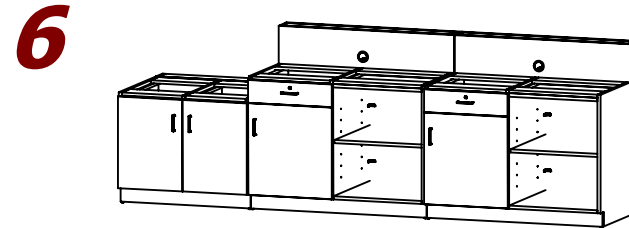
Align Pedestals(1)(2) flush from the Back.



Level the Pedestal ADA(3) with shims. Verify by using Water Level. (Reference Detail C).



Align the Pedestal ADA(3) with Pedestals(1)(2) flush from the Back.



ADA Lobby Desk Right completely assembled