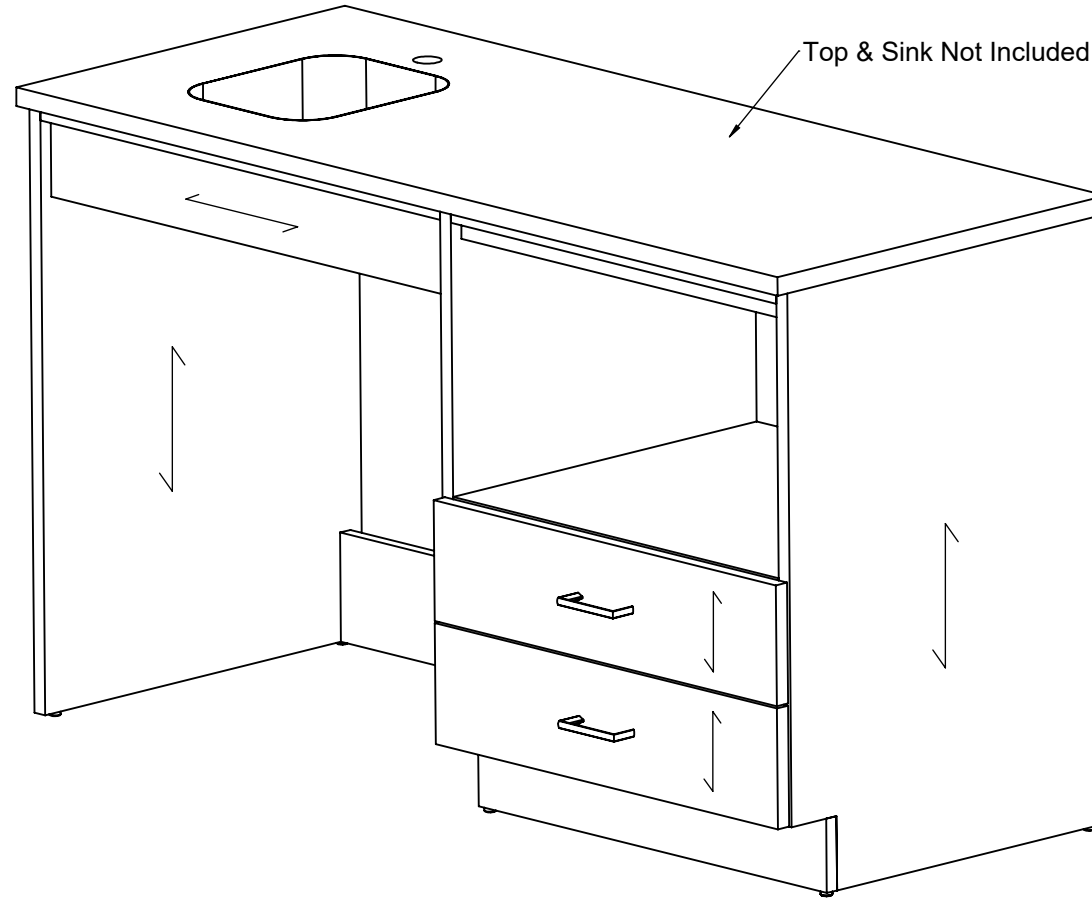


1

2



EXPECT
Furniture Manufacture



Top & Sink Not Included

Overall:
56 3/4"W x 23 13/16"D x 33"H

- MATERIALS:**
- HP Laminated PB-3/4
 - .018 Edge Tape
 - Bottom Nail Glide
 - Plywood 1/2" Drawer Box
 - 14" HD-Full Extension Drawer Guide
 - Metro 96mm CC Matte Black Pull 4111-1055-P

- COMMENTS:**
- Overall: 56 3/4"W x 23 13/16"D x 33"H
 - Color: Asian Night - 7949 - Outside
 - Color - Matt Black - 1595-60 - Inside
 - Note: Dimensional Tolerance +/- 1/16"

TITLE: AHK 8170XXYY KC57SL - 8170M6 - 57" ADA Kitchen Cab L-Sink

REVISION DATE:

NOTE: DESIGN AND DRAWINGS ARE PROPERTY OF DICKSON FURNITURE MANUFACTURERS LLC AND MAY NOT BE DUPLICATED OR REPRODUCED WITHOUT THE EXPRESS WRITTEN CONSENT OF DICKSON FURNITURE MANUFACTURERS LLC

QUANTITY

00

REV

A

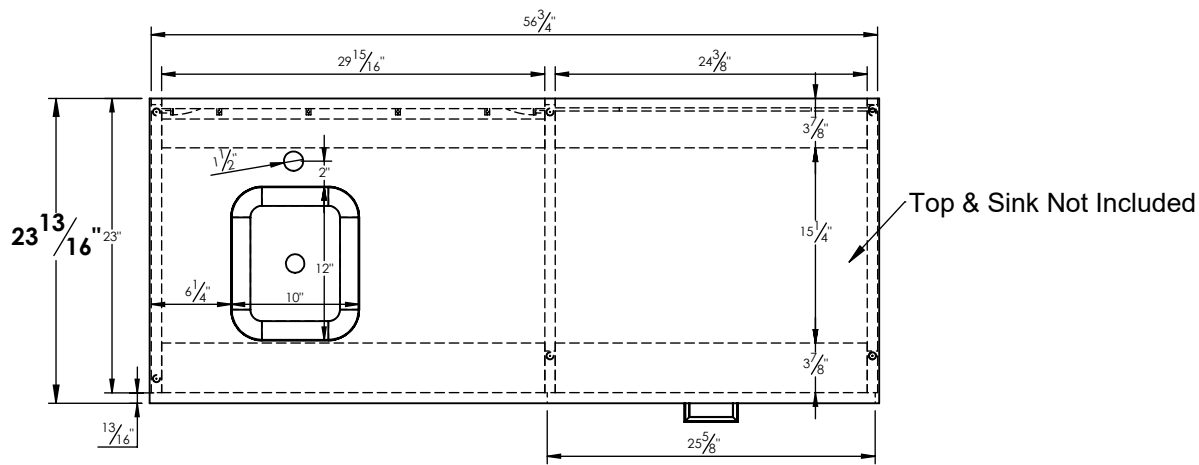
DIMENSIONS ARE IN INCHES

SCALE: 1:8

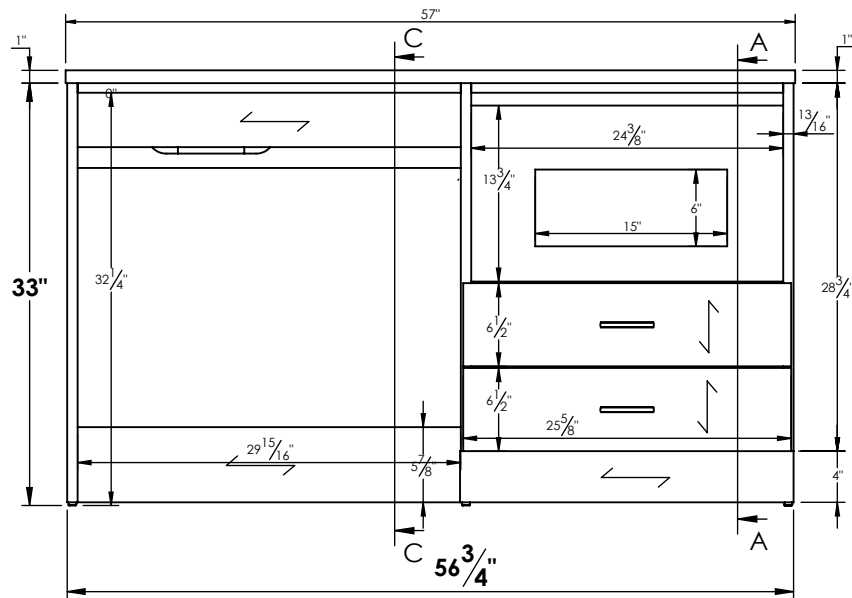
SHEET 1 OF 5

1

2

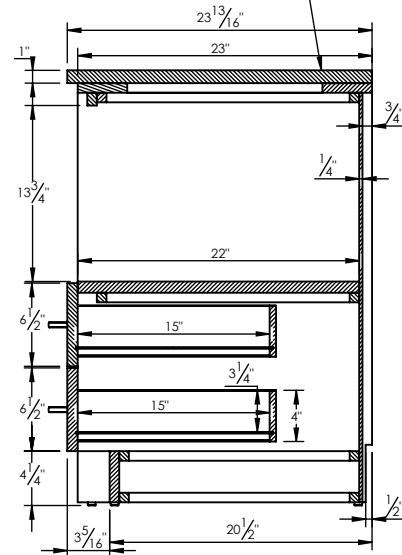


TOP VIEW

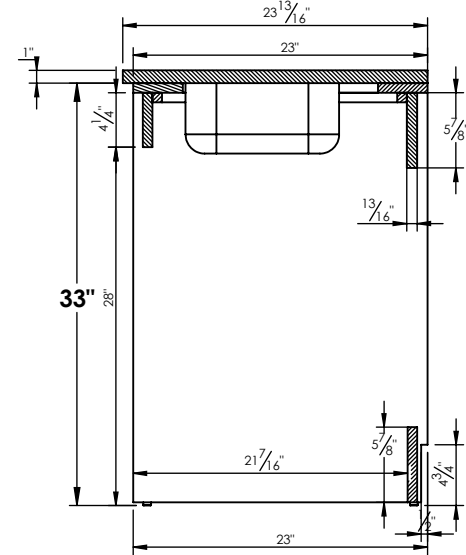


FRONT ELEVATION

Top & Sink Not Included



SIDE VIEW SECTION A-A



SIDE VIEW SECTION C-C

MATERIALS:

- HP-Laminate PB-3/4
- .018 Edge Tape
- Bottom Nail Glide
- Plywood 1/2" Drawer Box
- 14" HD-Full Extension Drawer Guide
- Metro 96mm CC Matte Black Pull 4111-1055-P

COMMENTS:

- Overall: 56 3/4"W x 23 13/16"D x 33"H
- Color: Asian Night - 7949 - Outside
- Color - Matt Black - 1595-60 - Inside
- Note: Dimensional Tolerance +/- 1/16"

TITLE: AHK 8170XXYY KC57SL - 8170M6 - 57" ADA Kitchen Cab L-Sink

REVISION DATE:

NOTE: DESIGN AND DRAWINGS ARE PROPERTY OF DICKSON FURNITURE MANUFACTURERS LLC AND MAY NOT BE DUPLICATED OR REPRODUCED WITHOUT THE EXPRESS WRITTEN CONSENT OF DICKSON FURNITURE MANUFACTURERS LLC

QUANTITY

00

REV

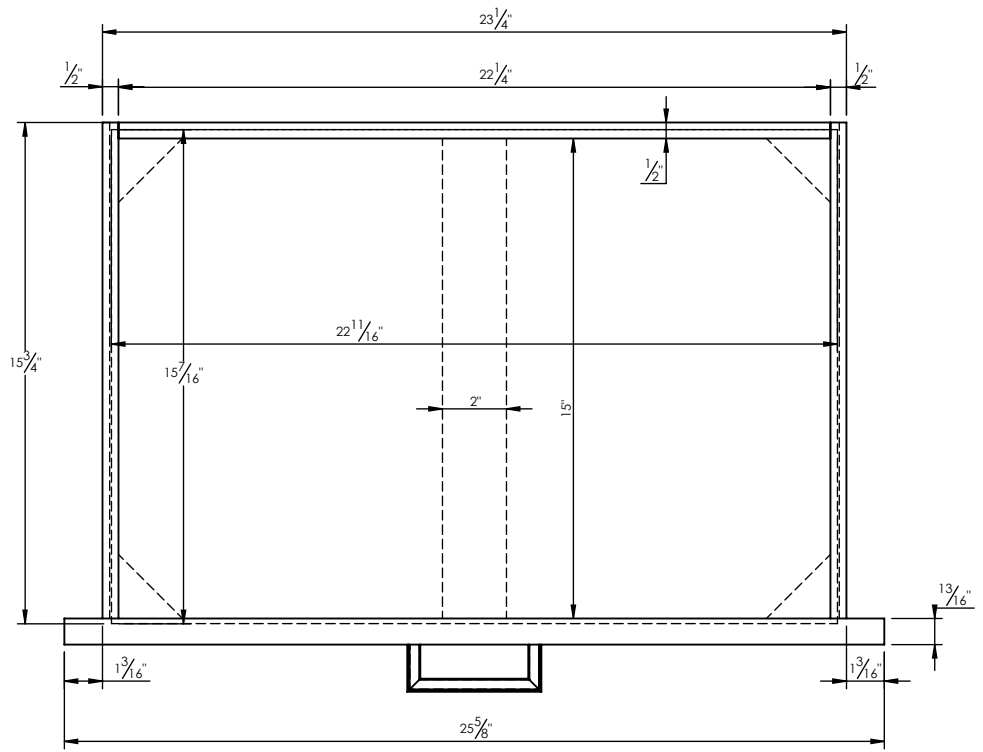
A

DIMENSIONS ARE IN INCHES

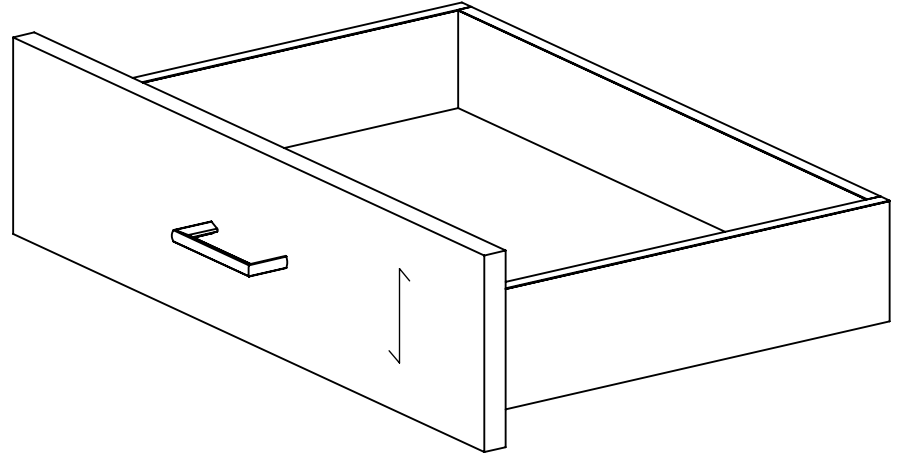
SCALE: 1:15

SHEET 2 OF 5

A

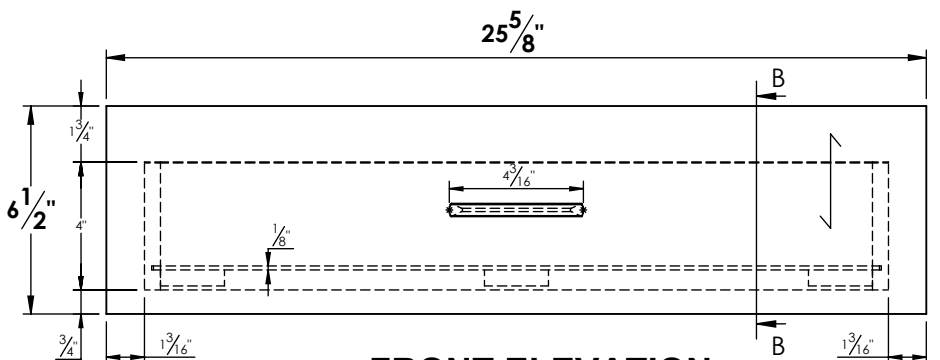


TOP VIEW

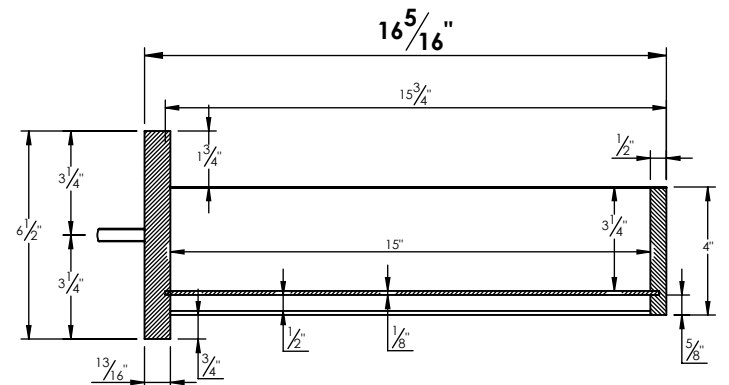


A

B



FRONT ELEVATION



SIDE VIEW SECTION B-B

B

- MATERIALS:**
- HP-Laminate PB-3/4" Front Panel
 - .018 Edge Tape
 - Plywood 1/2" Drawer Box
 - 14" HD-Full Extension Drawer Guide
 - Metro 96mm CC Matte Black Pull 4111-1055-P

- COMMENTS:**
- Overall: 25 5/8"W x 16 5/16"D x 6 1/2"H
 - Color: Asian Night - 7949 - Outside
 - Color - Matt Black - 1595-60 - Inside
 - Note: Dimensional Tolerance +/- 1/16"

TITLE: AHK 8170XXYY KC57SL - 8170M6 - 57" ADA Kitchen Cab L-Sink

REVISION DATE:

NOTE: DESIGN AND DRAWINGS ARE PROPERTY OF DICKSON FURNITURE MANUFACTURERS LLC AND MAY NOT BE DUPLICATED OR REPRODUCED WITHOUT THE EXPRESS WRITTEN CONSENT OF DICKSON FURNITURE MANUFACTURERS LLC

QUANTITY	00
REV	A
DIMENSIONS ARE IN INCHES	

SCALE: 1:6
SHEET 3 OF 5



IMPORTANT INFORMATION

- AHK 8170XXYY KC57SR - 8170M6 - 57" ADA Kitchen Cab L-Sink -



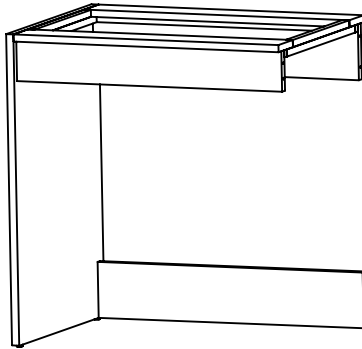
Lift parts with at least 2 people

***RECOMMENDATIONS:**

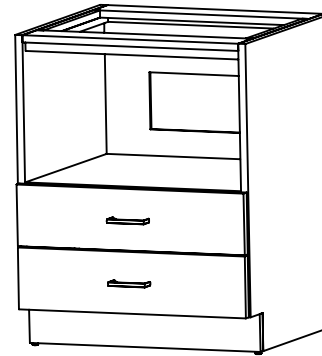
- Read instructions before installing
- Keep area clean
- Do not drag the parts
- Do not forget to wear PPE

***PERSONAL PROTECTION EQUIPMENT (PPE)**

- Hand Protection
- Eye Protection
- Waist Support Belt



Cab L-Sink



Right Pedestal

***Tools:**



Water level



Measuring Tape



Pencil



Drill

***Hardware:**



Screw

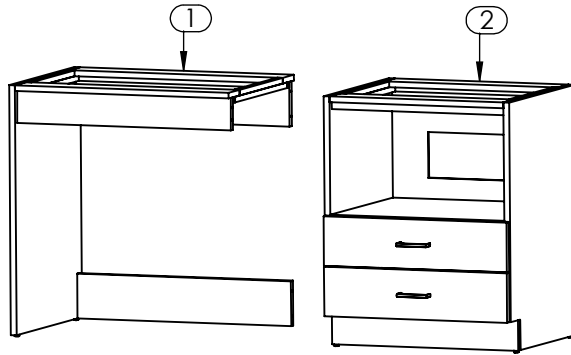
STEP #1

Note: Assembly can be done with one person.

ASSEMBLY INSTRUCTIONS

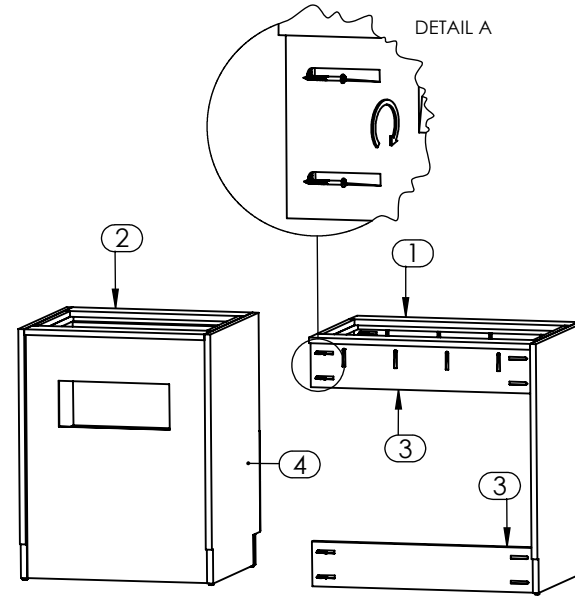
- AHK 8170XXYY KC57SR - 8170M6 - 57" ADA Kitchen Cab L-Sink -

1



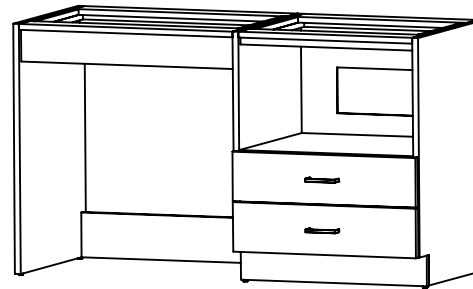
Place Right Pedestal (2) and Cab L-Sink (1) side by side and align them.

2



Attach Cab L-Sink Nailers (3), to Right Pedestal left side panel (4) using screws. (Reference Detail A).

3



ADA Kitchen Cab L-Sink completely assembled