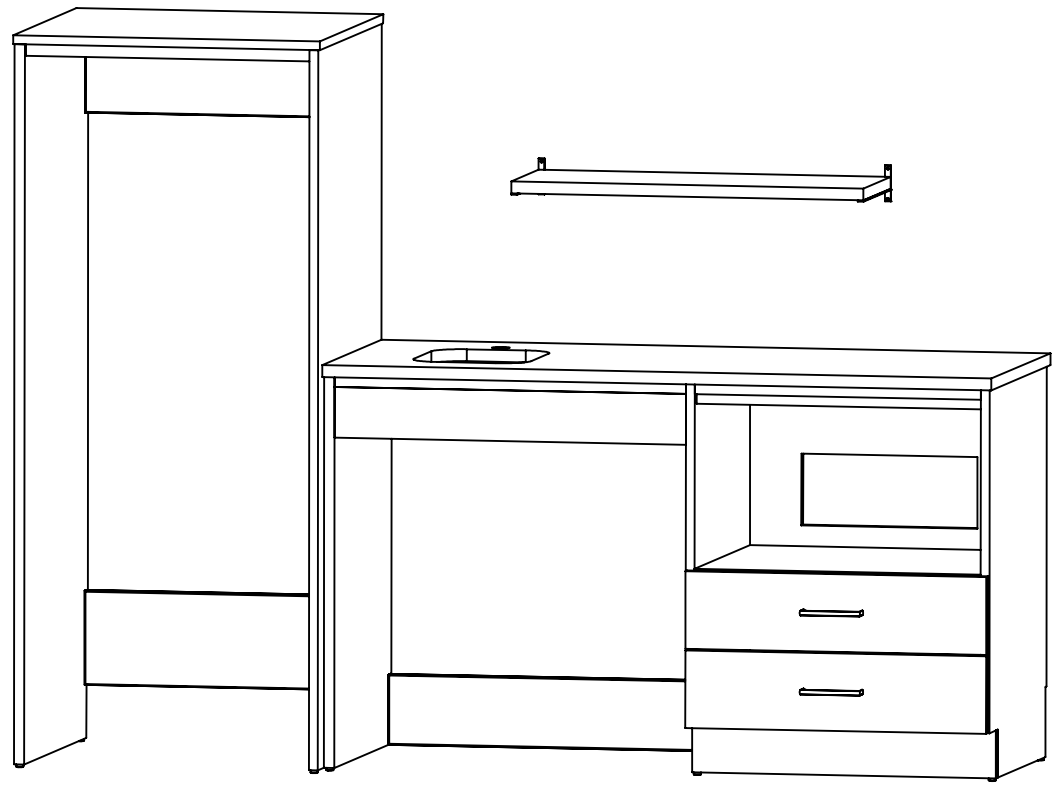


1

2



Overall:
83"W x 25 1/2"D x 61 1/4"H

MATERIALS:

- HP Laminat PB-3/4
- .018 Edge Tape
- Bottom Nail Glide
- Plywood 1/2" Drawer Box
- 14" HD-Full Extension Drawer Guide
- Metro 96mm CC Matte Black Pull 4111-1055-P

COMMENTS:

- Overall: 83"W x 25 1/2"D x 61 1/4"H
- Color: Asian Night - 7949 - Outside
- Color - Matt Black - 1595-60 - Inside
- Note: Dimensional Tolerance +/- 1/16"

TITLE: AHK 8170XXYY KC83SL KIT - 8170M6 - 83" ADA Ktchn Cab L-KIT

REVISION DATE:

NOTE: DESIGN AND DRAWINGS ARE PROPERTY OF DICKSON FURNITURE MANUFACTURERS LLC AND MAY NOT BE DUPLICATED OR REPRODUCED WITHOUT THE EXPRESS WRITTEN CONSENT OF DICKSON FURNITURE MANUFACTURERS LLC

QUANTITY	00
REV	A
DIMENSIONS ARE IN INCHES	SCALE: 1:8
SHEET 1 OF 4	

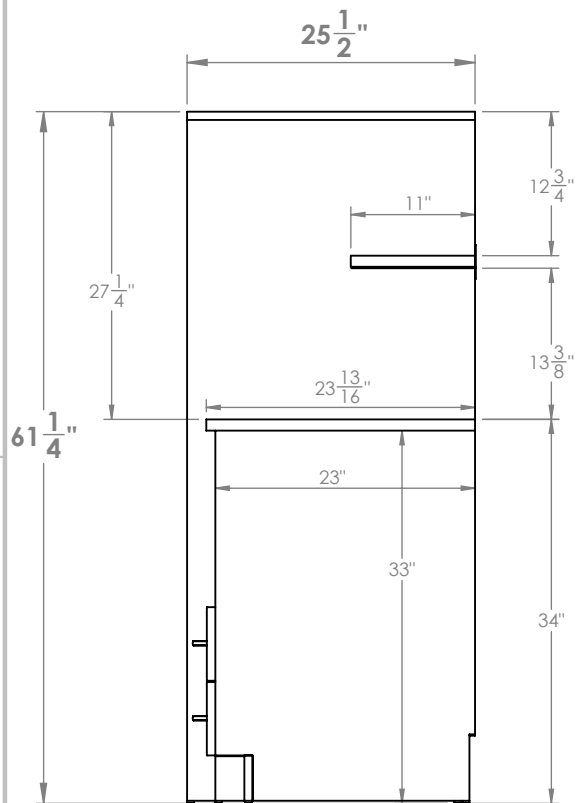
1

2

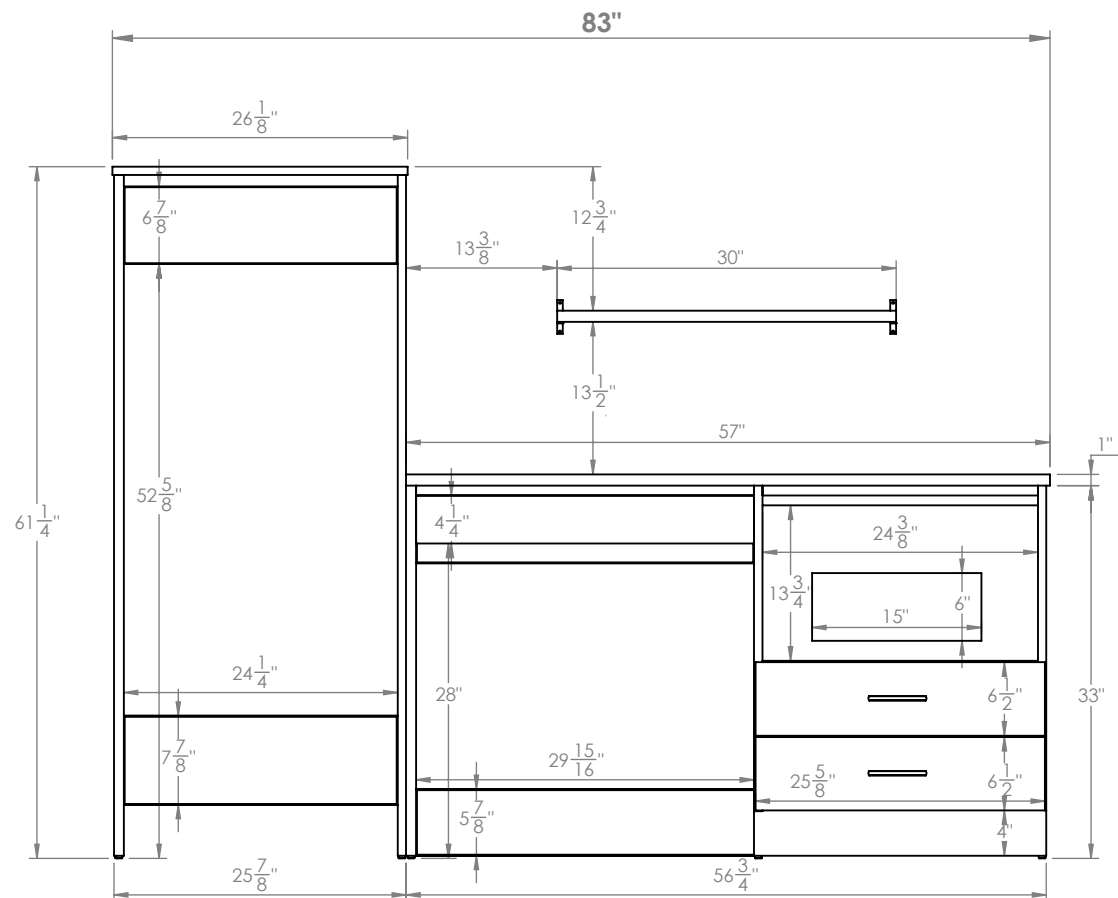
1

2

A



SIDE VIEW



FRONT ELEVATION

A

B

MATERIALS:

- HP-Laminate PB-3/4
- .018 Edge Tape
- Bottom Nail Glide
- Plywood 1/2" Drawer Box
- 14" HD-Full Extension Drawer Guide
- Metro 96mm CC Matte Black Pull 4111-1055-P

COMMENTS:

- Overall: 83"W x 25 1/2"D x 61 1/4"H
- Color: Asian Night - 7949 - Outside
- Color - Matt Black - 1595-60 - Inside
- Note: Dimensional Tolerance +/- 1/16"

TITLE: AHK 8170XXYY KC83SL KIT - 8170M6 - 83" ADA Ktchn Cab L-KIT

REVISION DATE:

QUANTITY

00

REV

A

DIMENSIONS
ARE IN
INCHES

SCALE: 1:17

SHEET 2 OF 4

1

2



IMPORTANT INFORMATION

- AHK 8170XXYY KC83SL KIT - 8170M6 - 83" ADA Ktchn Cab L-KIT -



Lift parts with at least 2 people

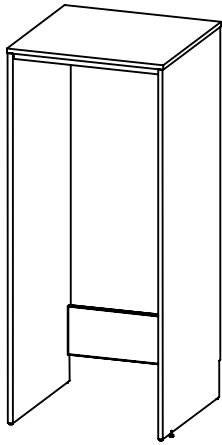
*RECOMMENDATIONS:

- Read instructions before assembling
- Keep area clean
- Do not drag the parts
- Do not forget to wear PPE

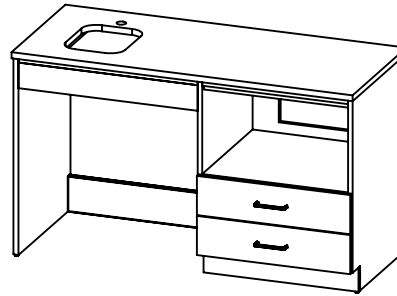
*PERSONAL PROTECTION EQUIPMENT (PPE)

- Hand Protection
- Eye Protection
- Waist Support belt

PARTS:



ADA Closet



Combo



Shelf

*Tools:



Water level



Measuring Tape



Pencil



Drill

*Hardware:



Screw



Shims

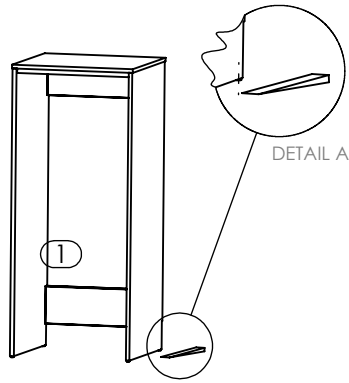
STEP #1

ASSEMBLY INSTRUCTIONS

- AHK 8170XXYY KC83SL KIT - 8170M6 - 83" ADA Ktchn Cab L-KIT -

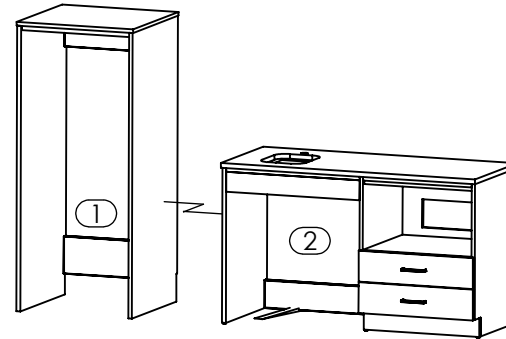
Note: Assembly can be done with 2 people.

1



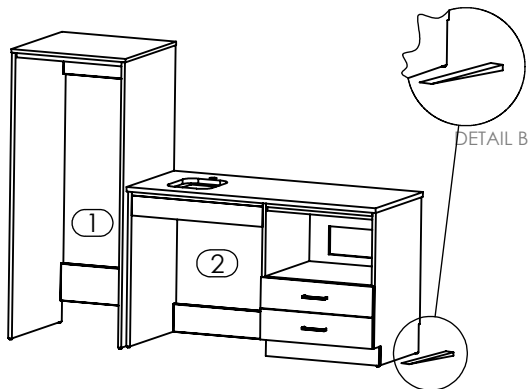
Level the ADA Closet(1) with shims. Verify by using Water Level. (Reference Detail A).

2



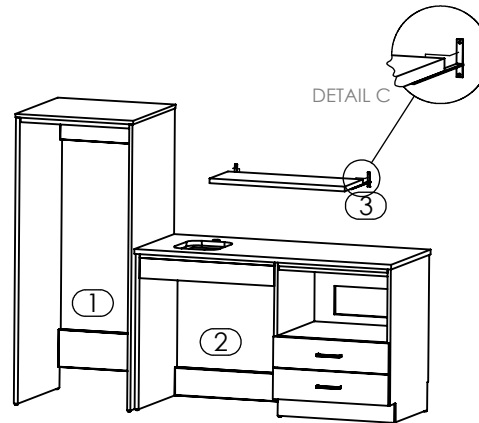
Align the combo(1) with ADA closet(1) flush from the Back.

3



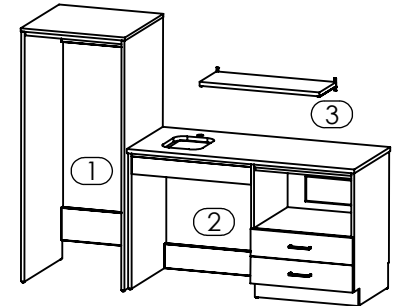
Level the Combo(2) with shims. Verify by using Water Level. (Reference Detail B).

4



Attach the Shelves (3)(4) to the Wall at the necessary height. Verify by using Water Level and Measuring Tape.

5



ADA Ktchn Cab L-KIT completely assembled.