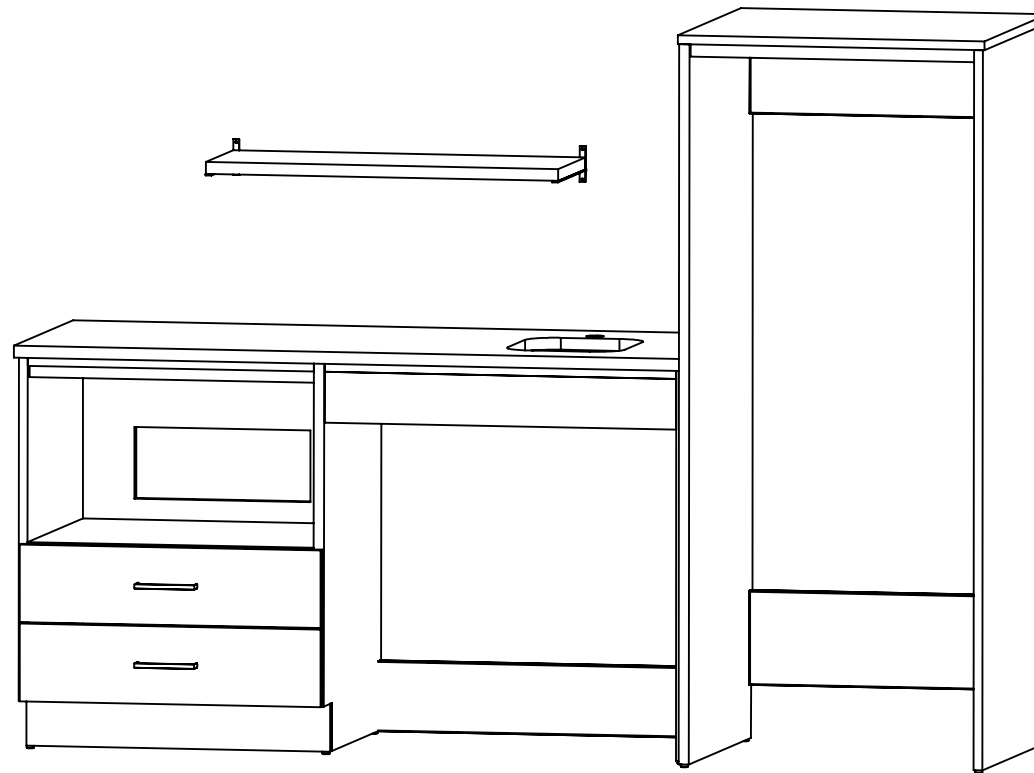




**EXPECT**  
Furniture Manufacture



**Overall:**  
83"W x 25 1/2"D x 61 1/4"H

**MATERIALS:**

- HP Laminat PB-3/4
- .018 Edge Tape
- Bottom Nail Glide
- Plywood 1/2" Drawer Box
- 14" HD-Full Extension Drawer Guide
- Metro 96mm CC Matte Black Pull 4111-1055-P

**COMMENTS:**

- Overall: 83"W x 25 1/2"D x 61 1/4"H
- Color: Asian Night - 7949 - Outside
- Color - Matt Black - 1595-60 - Inside
- Note: Dimensional Tolerance +/- 1/16"

**TITLE:** AHK 8170XXYY KC83SR KIT - 8170M6 - 83" ADA Ktchn Cab R-KIT

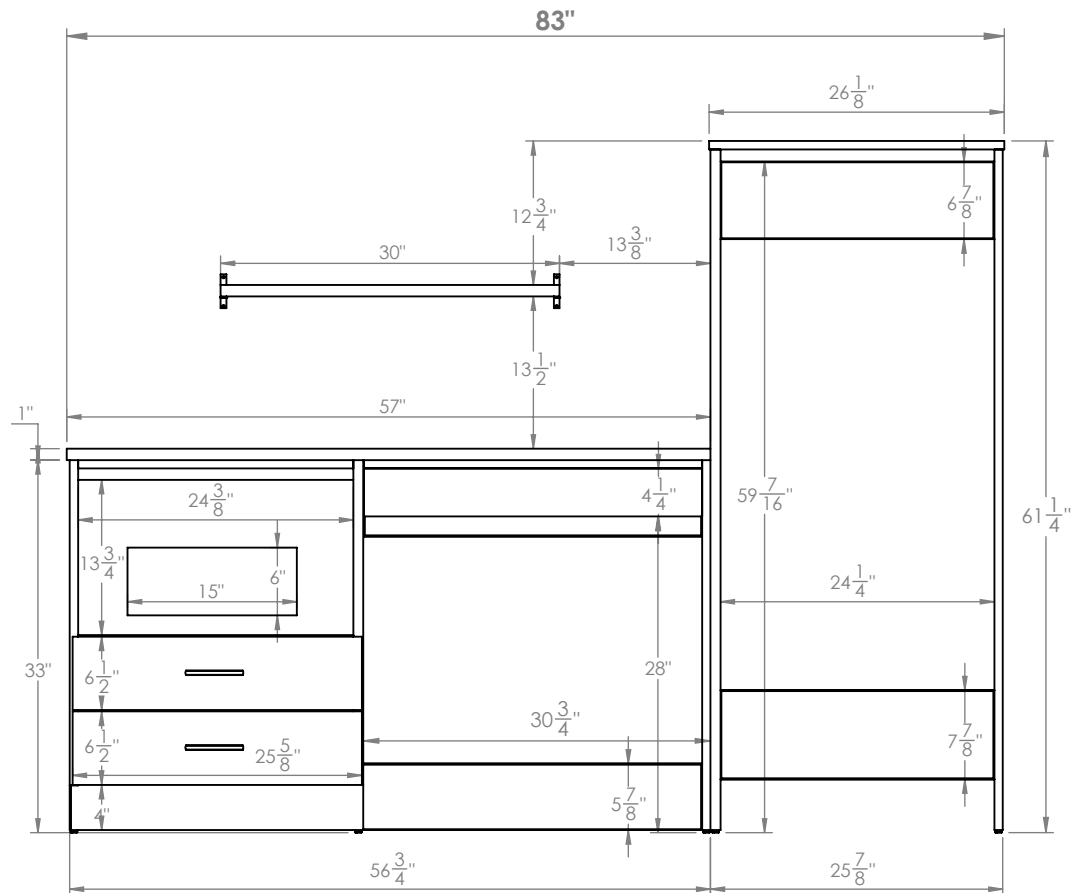
**REVISION DATE:**

NOTE: DESIGN AND DRAWINGS ARE PROPERTY OF DICKSON FURNITURE MANUFACTURERS LLC AND MAY NOT BE DUPLICATED OR REPRODUCED WITHOUT THE EXPRESS WRITTEN CONSENT OF DICKSON FURNITURE MANUFACTURERS LLC

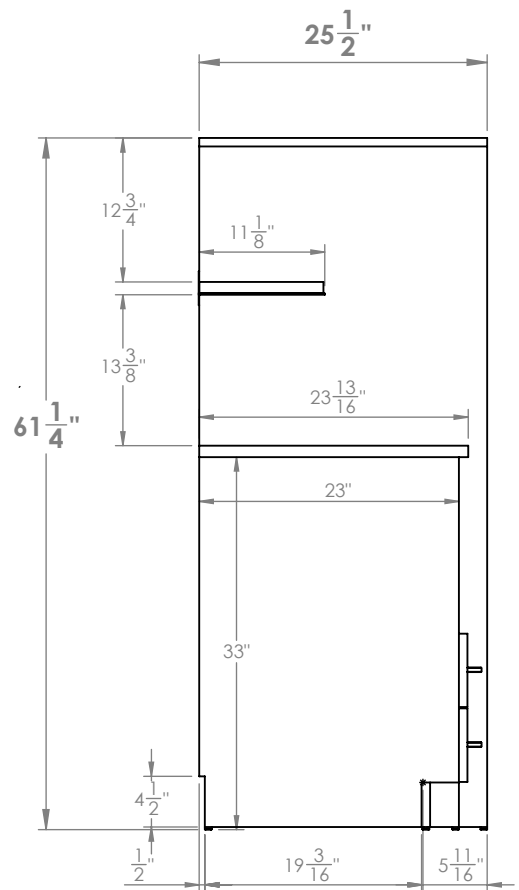
QUANTITY	00
REV	A
DIMENSIONS ARE IN INCHES	

SCALE: 1:8

SHEET 1 OF 4



**FRONT ELEVATION**



**SIDE VIEW**

- MATERIALS:**
- HP-Laminate PB-3/4
  - .018 Edge Tape
  - Bottom Nail Glide
  - Plywood 1/2" Drawer Box
  - 14" HD-Full Extension Drawer Guide
  - Metro 96mm CC Matte Black Pull 4111-1055-P

- COMMENTS:**
- Overall: 83"W x 25 1/2"D x 61 1/4"H
  - Color: Asian Night - 7949 - Outside
  - Color - Matt Black - 1595-60 - Inside
  - Note: Dimensional Tolerance +/- 1/16"

**TITLE:** AHK 8170XXYY KC83SR KIT - 8170M6 - 83" ADA Ktchn Cab R-KIT  
**REVISION DATE:**

NOTE: DESIGN AND DRAWINGS ARE PROPERTY OF DICKSON FURNITURE MANUFACTURERS LLC AND MAY NOT BE DUPLICATED OR REPRODUCED WITHOUT THE EXPRESS WRITTEN CONSENT OF DICKSON FURNITURE MANUFACTURERS LLC

QUANTITY	<b>00</b>
REV	<b>A</b>
DIMENSIONS ARE IN INCHES	

**SCALE: 1:17**  
**SHEET 2 OF 4**



# IMPORTANT INFORMATION

- AHK 8170XXYY KC83SL KIT - 8170M6 - 83" ADA Ktchn Cab L-KIT -



Lift parts with at least 2 people

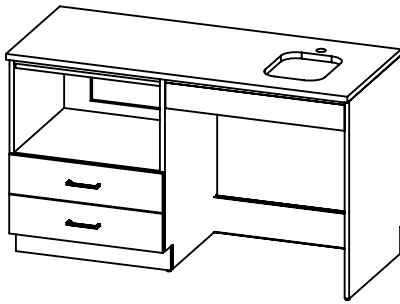
## \*RECOMMENDATIONS:

- Read instructions before assembling
- Keep area clean
- Do not drag the parts
- Do not forget to wear PPE

## \*PERSONAL PROTECTION EQUIPMENT (PPE)

- Hand Protection
- Eye Protection
- Waist Support belt

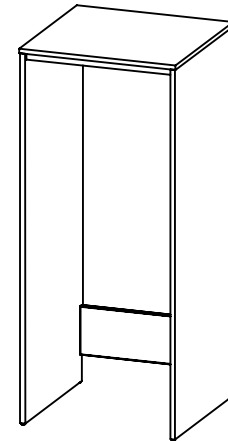
## PARTS:



Combo



Shelf



ADA Closet

## \*Tools:



Water level



Measuring Tape



Pencil



Drill

## \*Hardware:



Screw



Shims

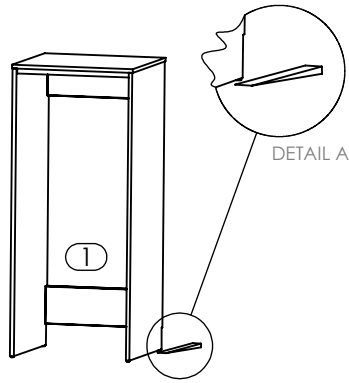
# STEP #1

# ASSEMBLY INSTRUCTIONS

- AHK 8170XXYY KC83SR KIT - 8170M6 - 83" ADA Ktchn Cab R-KIT -

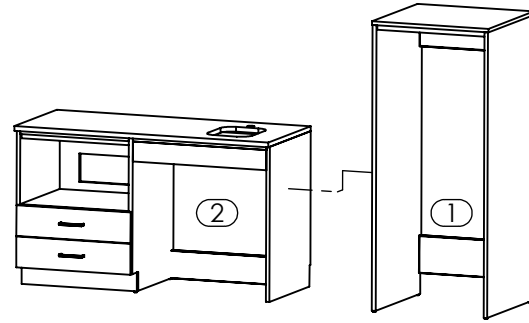
Note: Assembly can be done with 2 people.

**1**



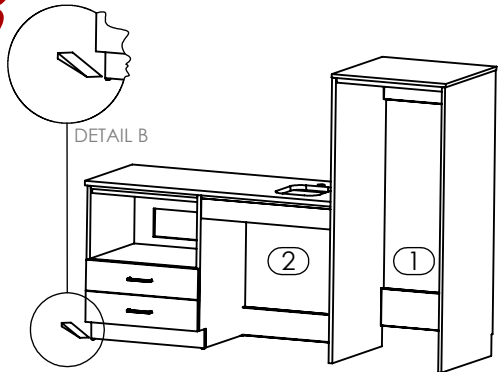
Level the ADA Closet(1) with shims. Verify by using Water Level. (Reference Detail A).

**2**



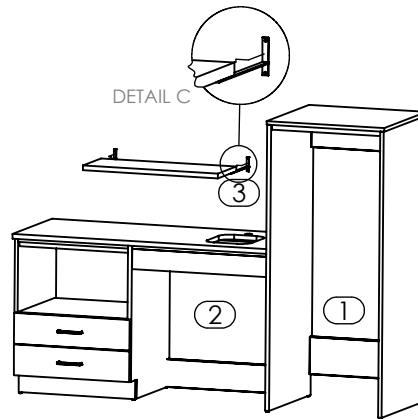
Align the combo(2) with ADA closet(1) flush from the Back.

**3**



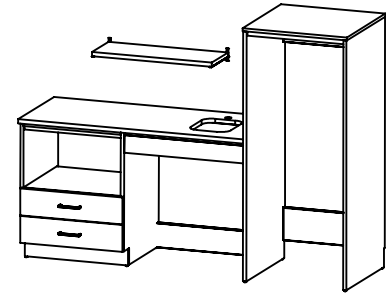
Level the Combo(2) with shims. Verify by using Water Level. (Reference Detail B).

**4**



Attach the Shelves (3) to the Wall at the necessary height. Verify by using Water Level and Measuring Tape.

**5**



ADA Ktchn Cab L-KIT completely assembled.