



**EXPECT**  
Furniture Manufacture



**Overall:**  
150"W x 18 3/16"D x 60"H

**MATERIALS:**

- HP Laminat PB-5/8"
- .018 Edge Tape
- Plywood 1/2" Wall Cleat
- Hardwood Framing
- 2" Grommet
- USB Plug

**COMMENTS:**

- Overall: 150"W x 18 3/16"D x 60"H
- Color: Wilsonart - 0000 - Custom Laminate
- Note: Dimensional Tolerance +/- 1/16"

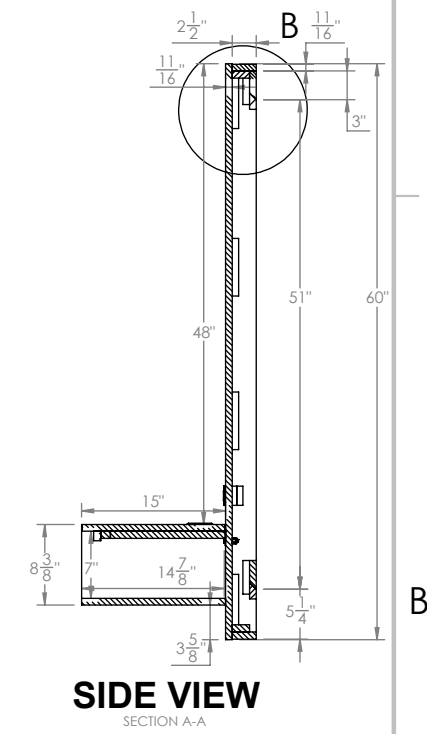
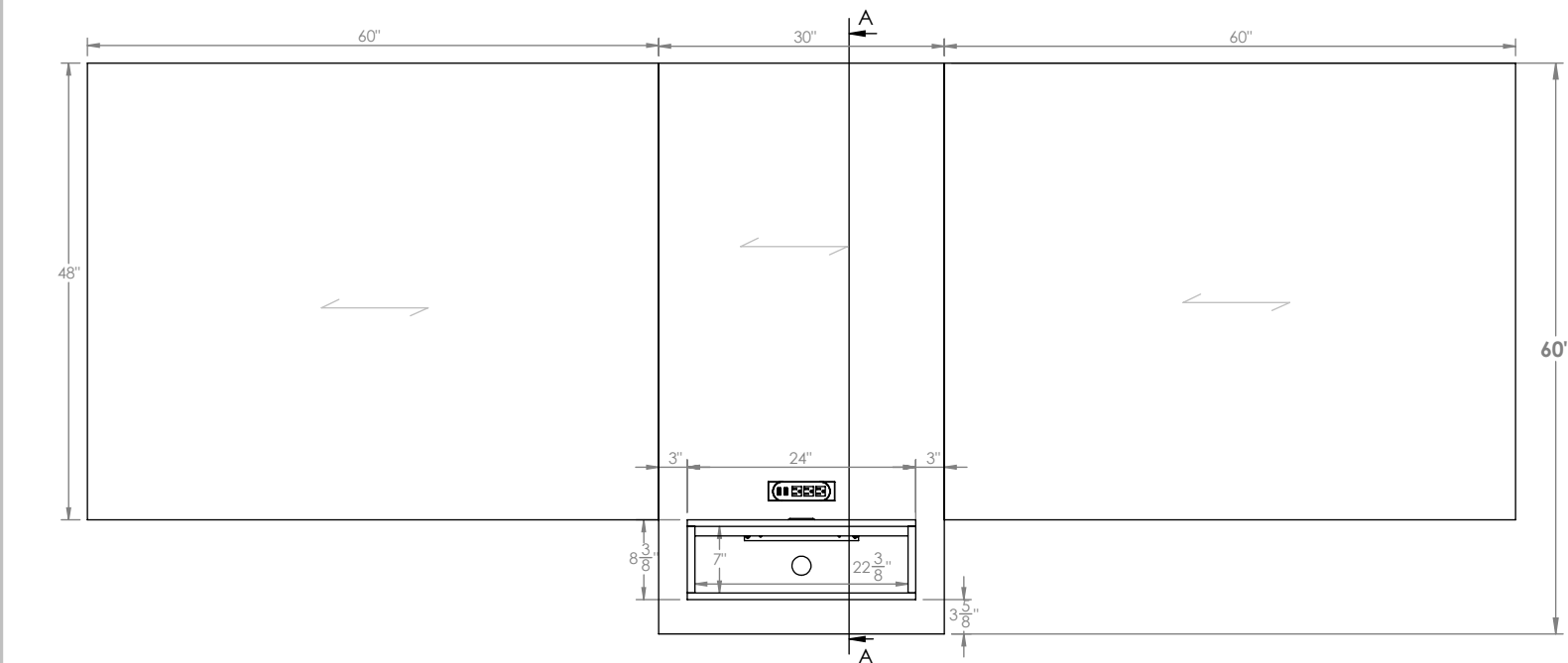
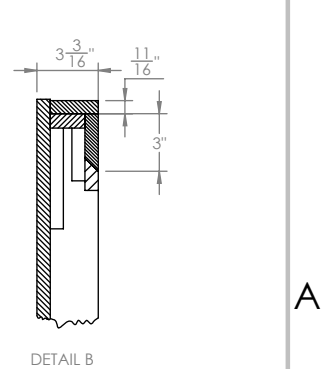
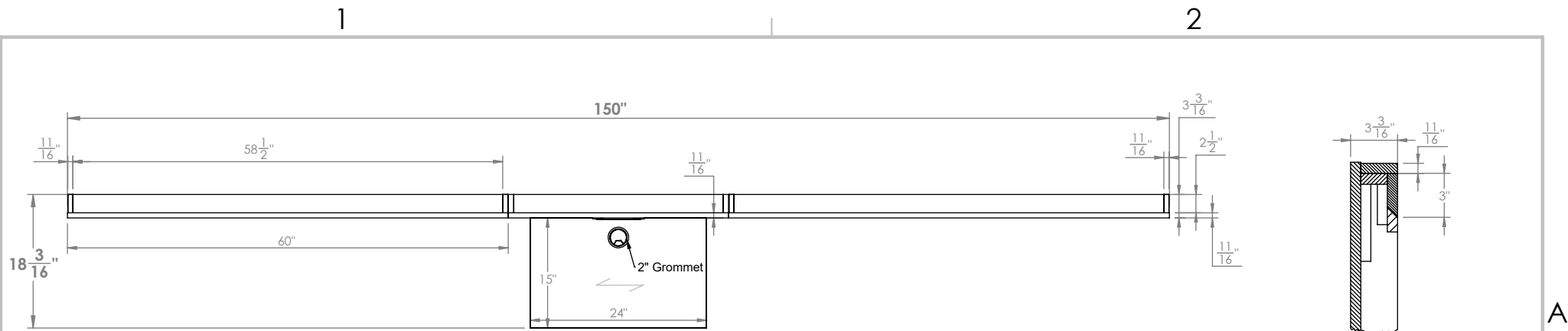
**TITLE:** AHB 0850XX 48H5 - 0850 - Queen Headboard 48"H

**REVISION DATE:**

NOTE: DESIGN AND DRAWINGS ARE PROPERTY OF DICKSON FURNITURE MANUFACTURERS LLC AND MAY NOT BE DUPLICATED OR REPRODUCED WITHOUT THE EXPRESS WRITTEN CONSENT OF DICKSON FURNITURE MANUFACTURERS LLC

REV  
**A**  
DIMENSIONS  
ARE IN  
INCHES

SCALE: 1:14  
SHEET 1 OF 4



- MATERIALS:**
- HP-Laminate PB-5/8"
  - .018 Edge Tape
  - Plywood 1/2" Wall Cleat
  - Hardwood Framing
  - 2" Grommet
  - USB Plug

- COMMENTS:**
- Overall: 150"W x 18 3/16"D x 60"H
  - Color: Wilsonart - 0000 - Custom Laminate
  - Note: Dimensional Tolerance +/- 1/16"

**TITLE:** AHB 0850XX 48H5 - 0850 - Queen Headboard 48"H

**REVISION DATE:**

NOTE: DESIGN AND DRAWINGS ARE PROPERTY OF DICKSON FURNITURE MANUFACTURERS LLC AND MAY NOT BE DUPLICATED OR REPRODUCED WITHOUT THE EXPRESS WRITTEN CONSENT OF DICKSON FURNITURE MANUFACTURERS LLC

**REV A**

**SCALE: 1:20**

**SHEET 2 OF 4**

DIMENSIONS ARE IN INCHES



# IMPORTANT INFORMATION

-AHB 0850XX 48H5 - 0850 - Queen Headboard 48"H-



Lift parts with at least 2 people

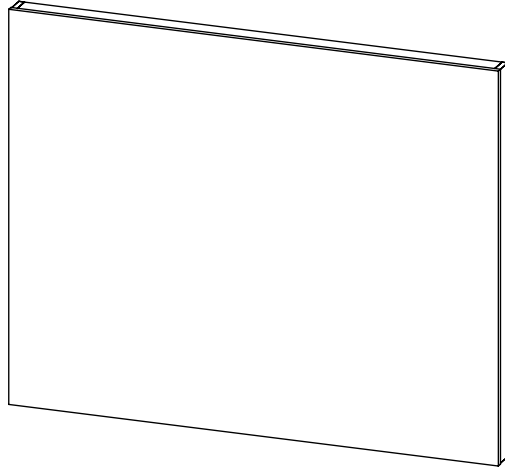
## \*RECOMMENDATIONS:

- Read instructions before installing
- Keep area clean
- Do not drag the parts
- Do not forget to wear PPE

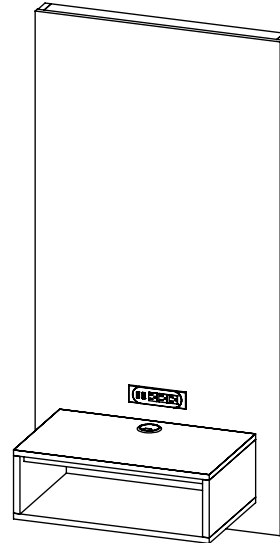
## PARTS TO INSTALL:

## \*PERSONAL PROTECTION EQUIPMENT (PPE)

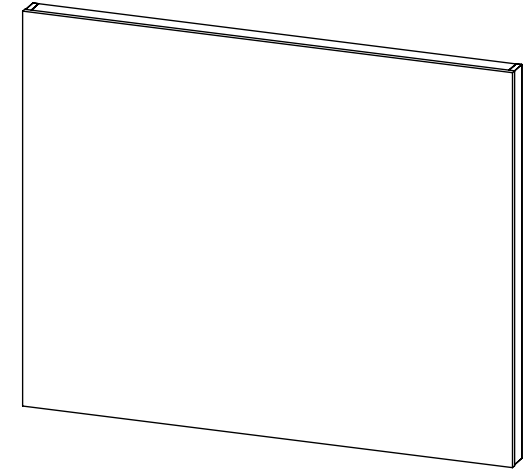
- Hand Protection
- Eye Protection
- Waist Support belt



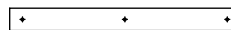
Left Headboard



Panel Nightstand



Right Headboard



French Wall Cleats



## \*Tools:

## \*Hardware:



Water level



Measuring Tape



Pencil



Rubber Hammer



Drill



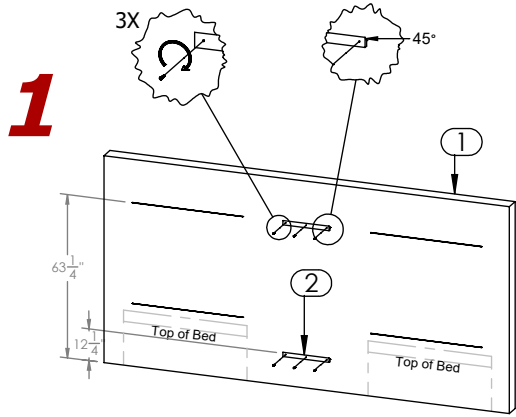
ScREW

# INSTALLATION INSTRUCTIONS

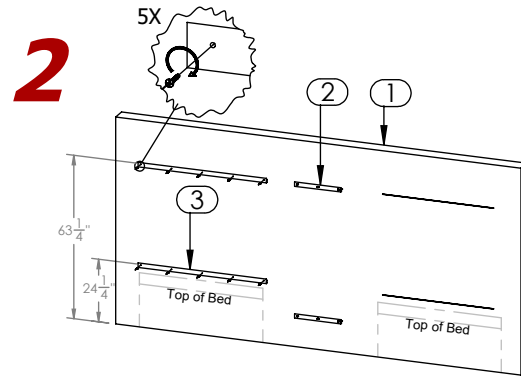
-AHB 0850XX 48H5 - 0850 - Queen Headboard 48"H-

## STEP #1

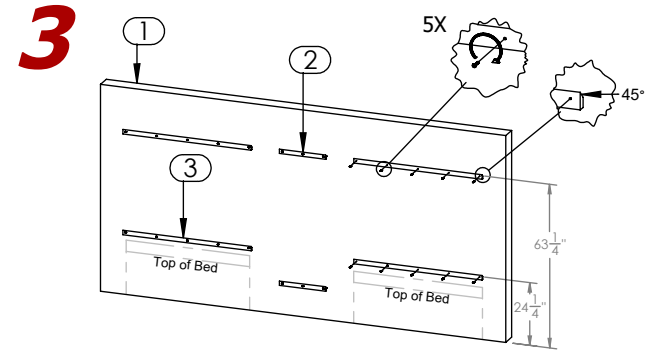
**Note:** To lift Panel Nightstand (4), Left Headboard (6) and Right Headboard (5) use at least 2 people.



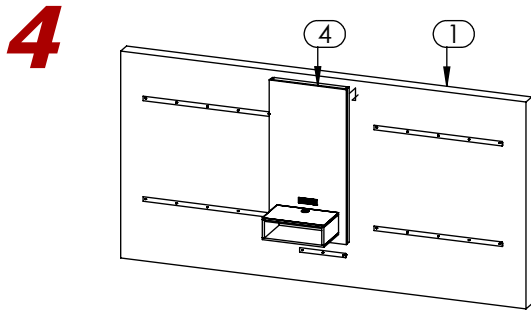
Center platform bed on Headboards wall and mount Center French Wall Cleats (2) on Wall (1) in the middle of both Bed Platforms to a height of 63.25" and 12.25" from floor. Screws go into studs.



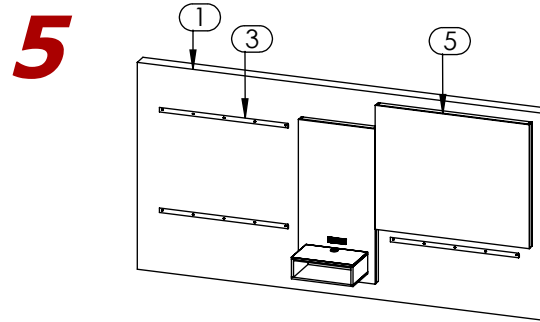
Mount Left French Wall Cleats (3) on Wall (1) away from Center French Wall Cleats (2) to a height of 63.25" and 24.25" from floor. Screws go into studs.



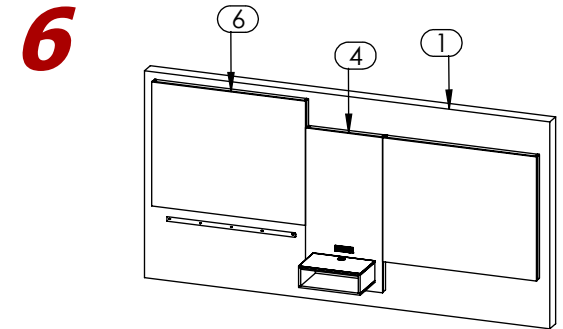
Mount Right French Wall Cleats (3) on Wall (1) away from Center French Wall Cleats (2) to a height of 63.25" and 24.25" from floor. Screws go into studs.



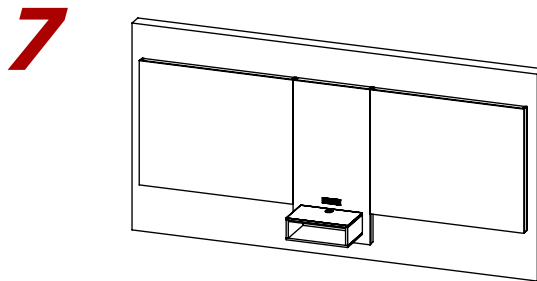
Lift Panel Nightstand (4) higher than Center French Wall Cleats (2) and slowly slide it down until it holds on Wall (1).



Lift Right Headboard (5) higher than Side French Wall Cleats (3) on the right side of Nightstand (4) and slowly slide it down until it holds on Wall (1).



Lift Left Headboard (6) higher than French Wall Cleats (3) on the left side of Nightstand (4) and slowly slide it down until it holds on Wall (1).



AHB 0850XX 48H5 - 0850 - Queen Headboard 48"H is ready