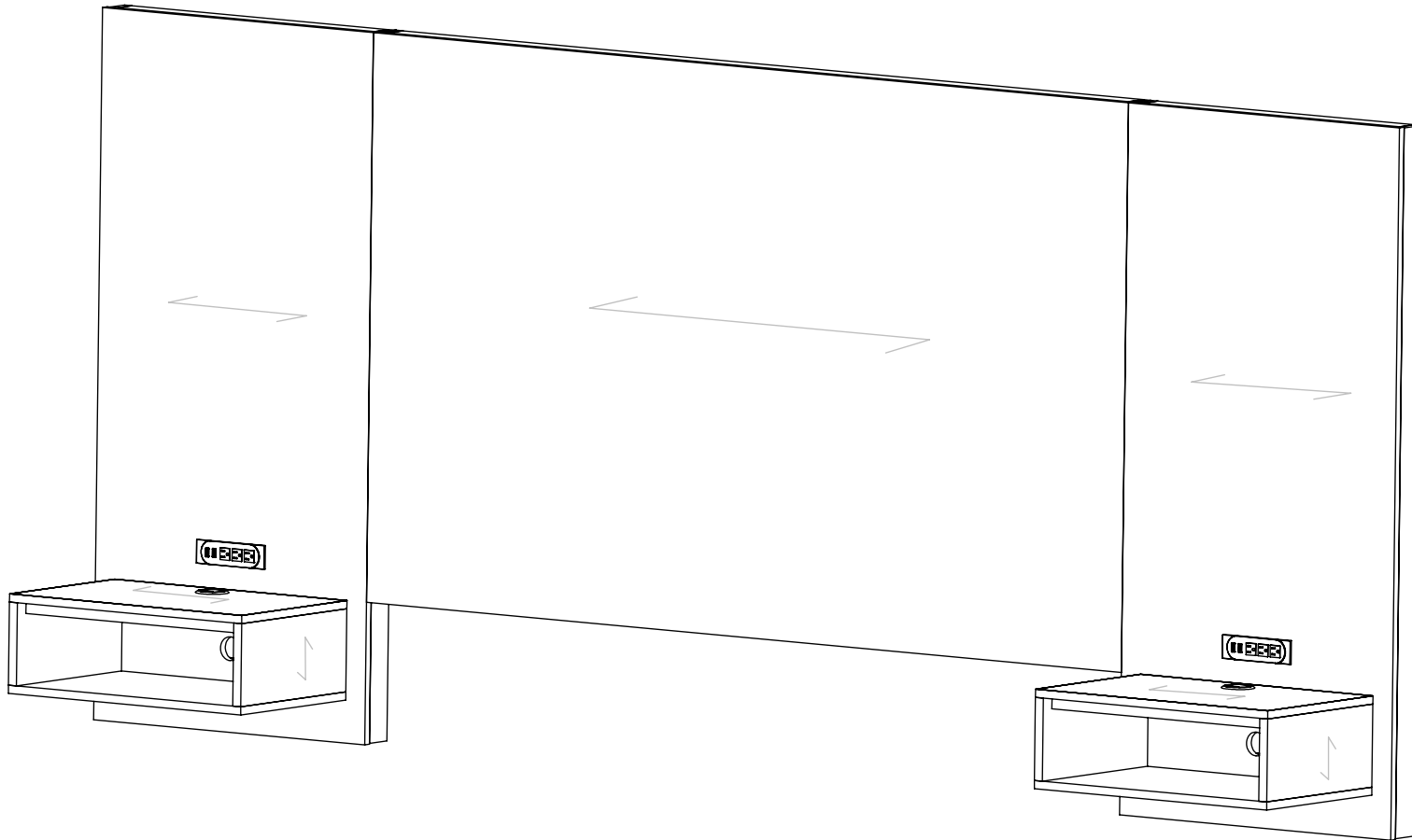




EXPECT

Furniture Manufacture



Overall:
134"W x 18 3/16"D x 60"H

MATERIALS:

- HP Laminat PB-5/8"
- .018 Edge Tape
- Plywood 1/2" Wall Cleat
- Hardwood Framing
- 2" Grommet
- USB Plug

COMMENTS:

- Overall: 134"W x 18 3/16"D x 60"H
- Color: Wilsonart - 0000 - Custom Laminate
- Note: Dimensional Tolerance +/- 1/16"

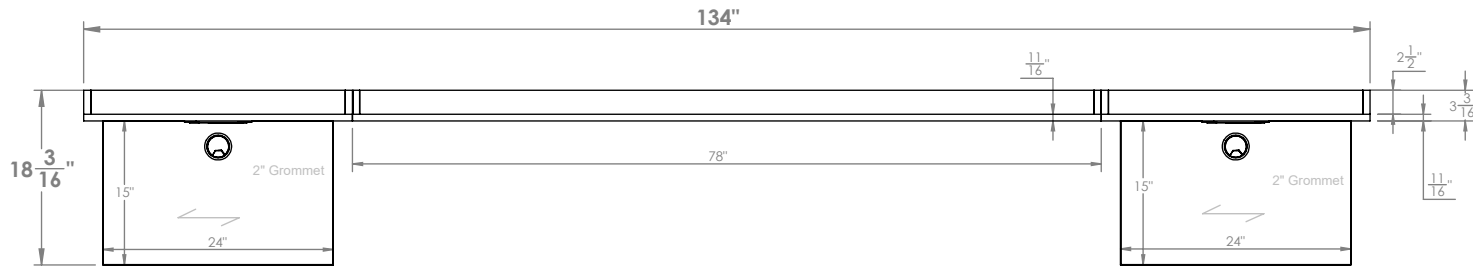
TITLE: AHB 0850XX 48H6 - 0850 - King Headboard 48"H

REVISION DATE:

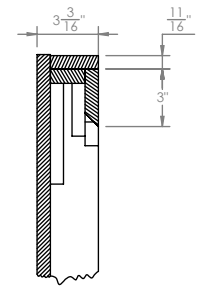
NOTE: DESIGN AND DRAWINGS ARE PROPERTY OF DICKSON FURNITURE MANUFACTURERS LLC AND MAY NOT BE DUPLICATED OR REPRODUCED WITHOUT THE EXPRESS WRITTEN CONSENT OF DICKSON FURNITURE MANUFACTURERS LLC

REV
A
DIMENSIONS
ARE IN
INCHES

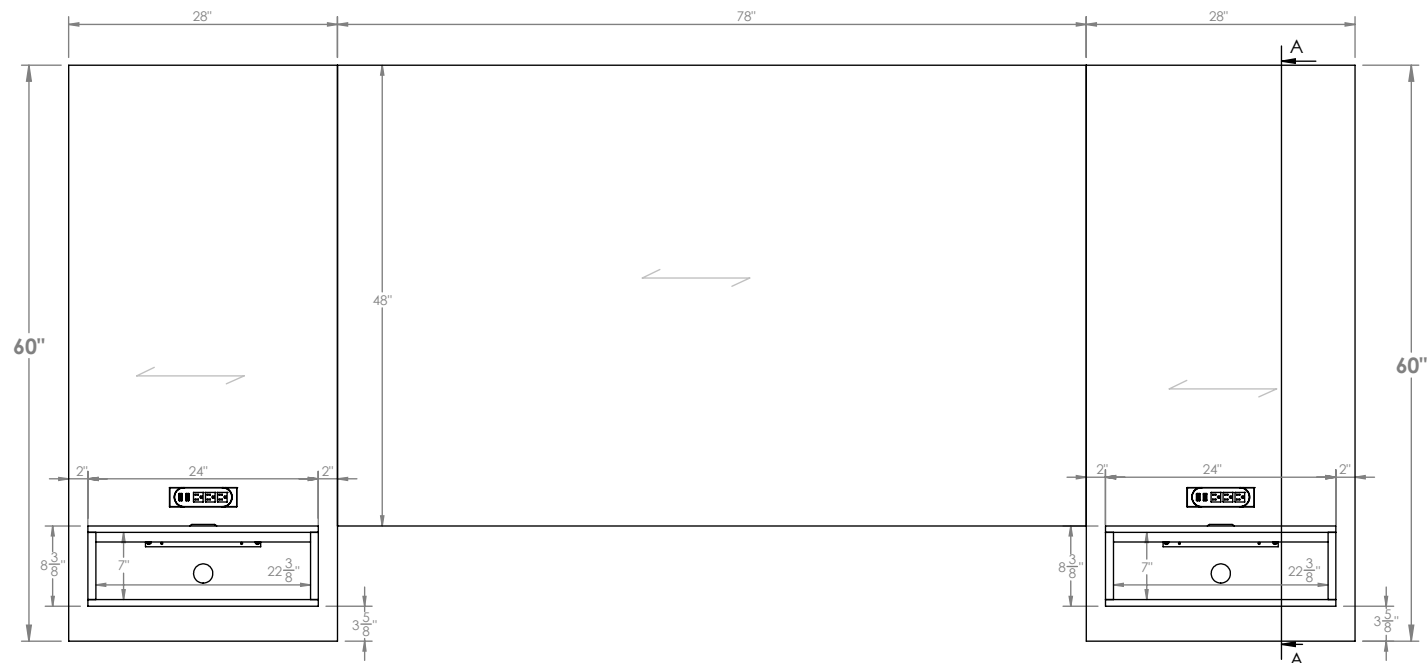
SCALE: 1:14
SHEET 1 OF 4



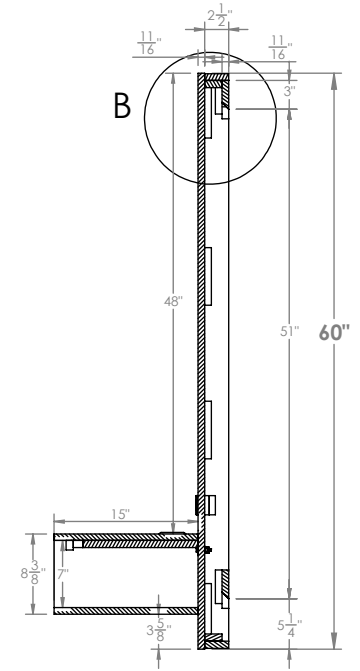
TOP VIEW



DETAIL B



FRONT ELEVATION



SECTION A-A

SIDE VIEW

- MATERIALS:**
- HP-Laminate PB-5/8"
 - .018 Edge Tape
 - Plywood 1/2" Wall Cleat
 - Hardwood Framing
 - 2" Grommet
 - USB Plug

- COMMENTS:**
- Overall: 134" W x 18 3/16"D x 60"H
 - Color: Wilsonart - 0000 - Custom Laminate
 - Note: Dimensional Tolerance +/- 1/16"

TITLE: AHB 0850XX 48H6 - 0850 - King Headboard 48"H

REVISION DATE:

NOTE: DESIGN AND DRAWINGS ARE PROPERTY OF DICKSON FURNITURE MANUFACTURERS LLC AND MAY NOT BE DUPLICATED OR REPRODUCED WITHOUT THE EXPRESS WRITTEN CONSENT OF DICKSON FURNITURE MANUFACTURERS LLC

REV
A
DIMENSIONS
ARE IN
INCHES

SCALE: 1:20
SHEET 2 OF 4



IMPORTANT INFORMATION

-AHB 0850XX 48H6 - 0850 - King Headboard 48"H-



Lift parts with at least 2 people

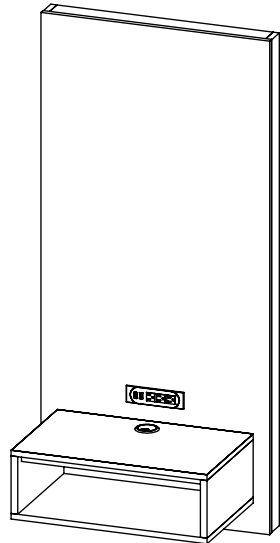
*RECOMMENDATIONS:

- Read instructions before installing
- Keep area clean
- Do not drag the parts
- Do not forget to wear PPE

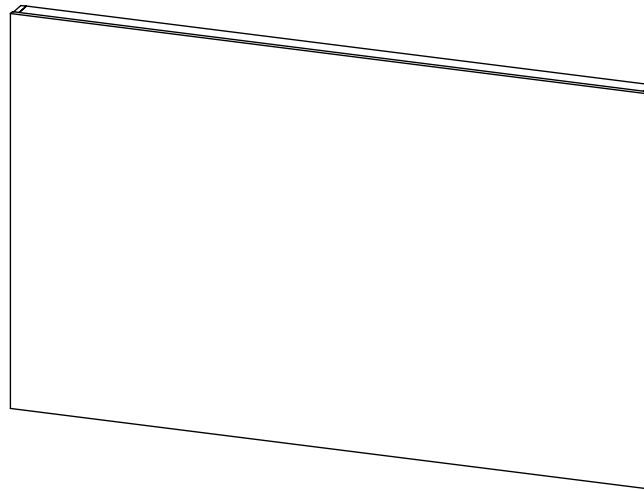
*PERSONAL PROTECTION EQUIPMENT (PPE)

- Hand Protection
- Eye Protection
- Waist Support belt

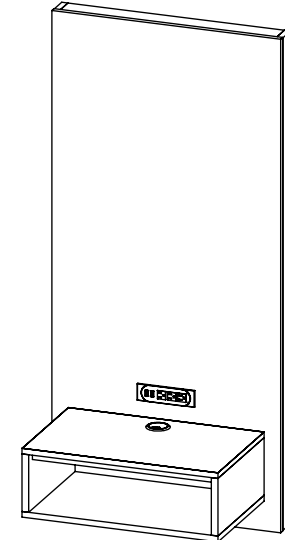
PARTS TO INSTALL:



Left Nightstand



Center Headboard



Right Nightstand



French Wall Cleats



*Tools:



Water level



Measuring Tape



Pencil



Rubber Hammer



Drill

*Hardware:



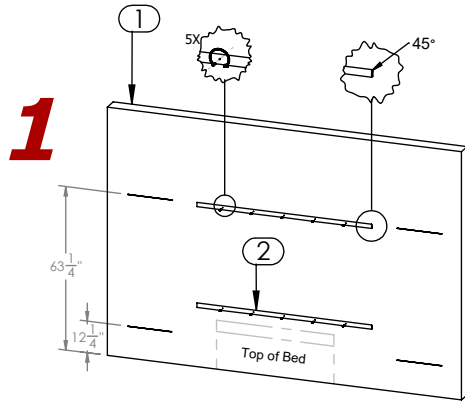
ScREW

INSTALLATION INSTRUCTIONS

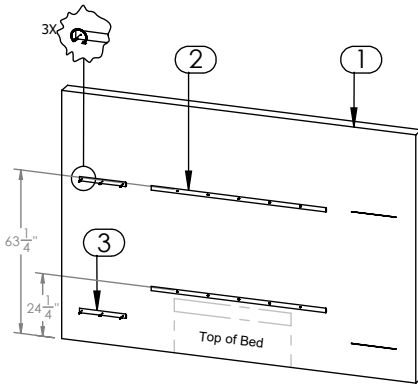
-AHB 0850XX 48H6 - 0850 - King Headboard 48"H-

STEP #1

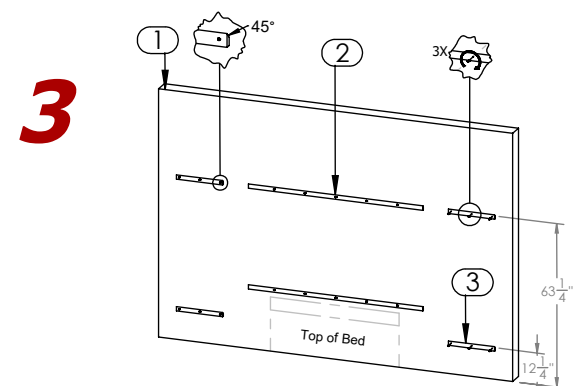
Note: To lift Center Headboard (4), Left Nightstand (6) and Right Nightstand (5) use at least 2 people.



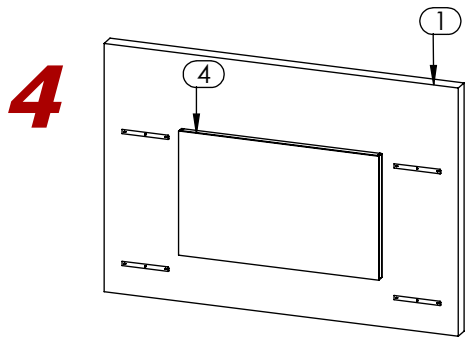
Center platform bed on Headboards wall and mount Center French Wall Cleats (2) on Wall (1) in the middle of both Panels to a height of 63.25" and 12.25" from floor. Screws go into studs.



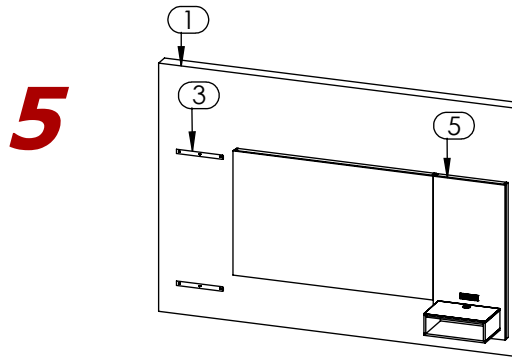
Mount Left French Wall Cleats (3) on Wall (1) away from Center French Wall Cleats (2) to a height of 63.25" and 24.25" from floor. Screws go into studs.



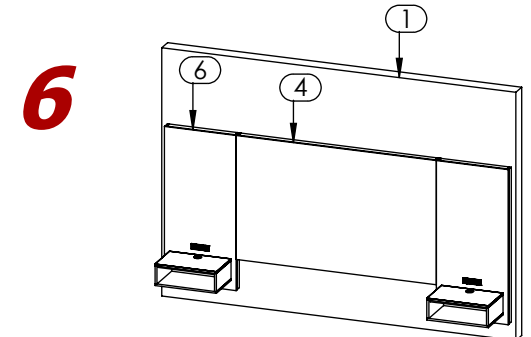
Mount Right French Wall Cleats (3) on Wall (1) away from Center French Wall Cleats (2) to a height of 63.25" and 24.25" from floor. Screws go into studs.



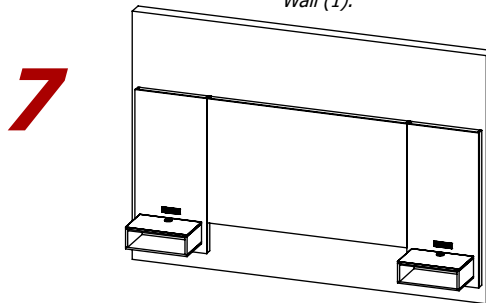
Lift Center Headboard (4) higher than Center French Wall Cleats (2) and slowly slide it down until it holds on Wall (1).



Lift Right Panel (5) higher than Side French Wall Cleats (3) on the right side of Center Headboard (4) and slowly slide it down until it holds on Wall (1).



Lift Left Panel (6) higher than French Wall Cleats (3) on the left side of Center Headboard (4) and slowly slide it down until it holds on Wall (1).



AHB 0850XX 48H6 - 0850 - King Headboard 48"H is ready