

**OVERALL:**  
48"D x 20"W x 18 3/4"H

**MATERIALS:**  
 - HP-Laminate PB-3/4"  
 - 2mm Edge Tape  
 - Plastic Nail Glide 3/4"  
 - L-Bracket - 1.5" x 1.5" x 4"

**COMMENTS:**  
 - Overall: 48"W x 20"D x 18 3/4"H  
 - Color: Wilsonart - 0000 - Custom Laminate  
 - Note:

**TITLE:** AHB 8230XX LB - 8230Super8 - Luggage Bench

**REVISION DATE:** 3/16/2022

NOTE: DESIGN AND DRAWINGS ARE PROPERTY OF DICKSON FURNITURE MANUFACTURERS LLC AND MAY NOT BE DUPLICATED OR REPRODUCED WITHOUT THE EXPRESS WRITTEN CONSENT OF DICKSON FURNITURE MANUFACTURERS LLC

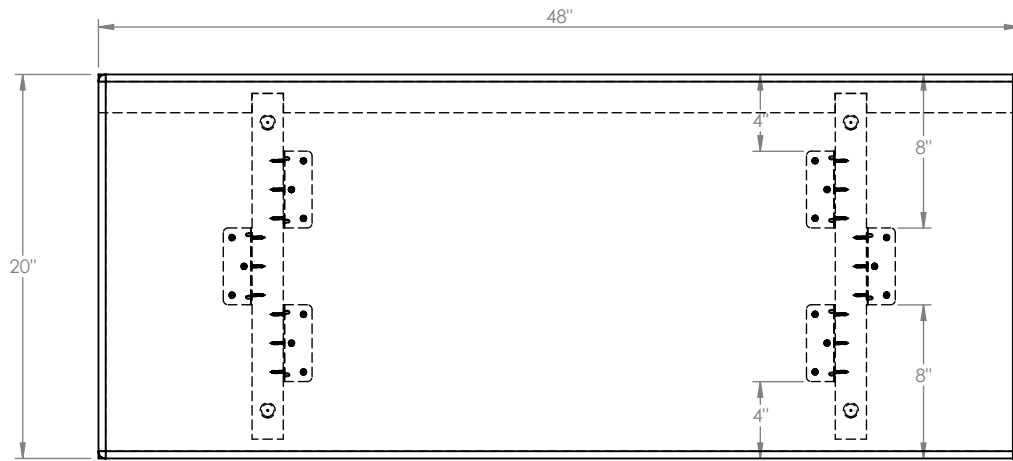
QUANTITY  
**00**

REV  
**A**

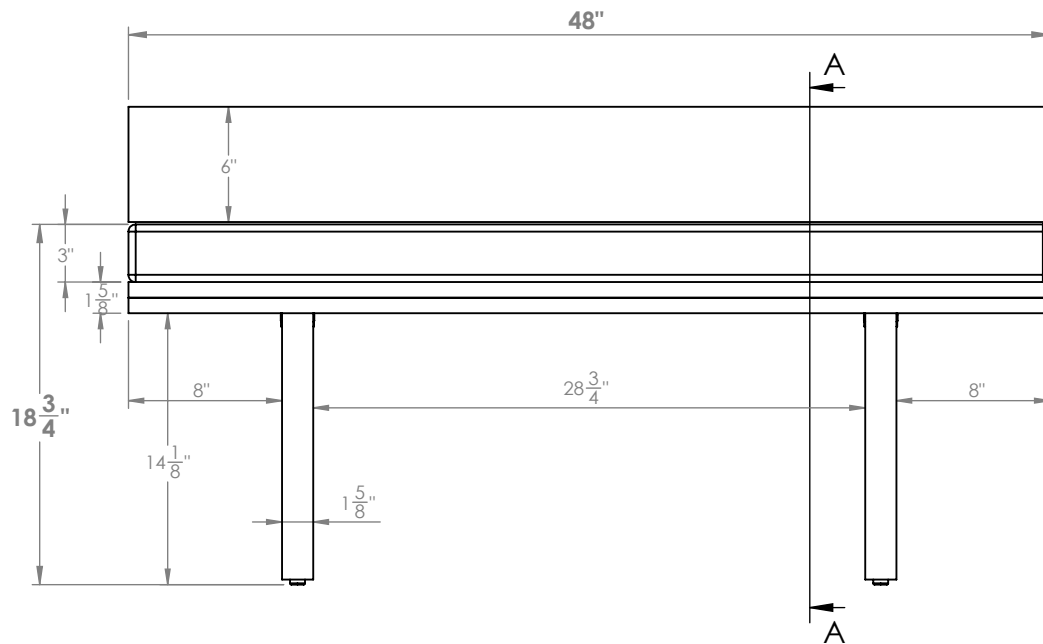
DIMENSIONS  
ARE IN  
INCHES

SCALE: 1:7

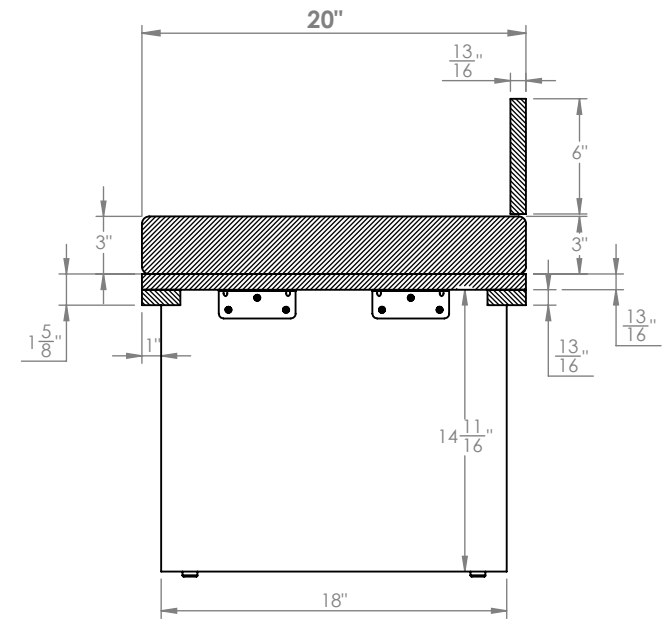
SHEET 1 OF 4



**TOP VIEW**



**FRONT ELEVATION**



**SECTION A-A**

**MATERIALS:**  
 - HP-Laminate PB-3/4"  
 - 2mm Edge Tape  
 - Plastic Nail Glide 3/4"  
 - L-Bracket - 1.5" x 1.5" x 4"

**COMMENTS:**  
 - Overall: 48"W x 20"D x 18 3/4"H  
 - Color: Wilsonart - 0000 - Custom Laminate  
 - Note:

**TITLE:** AHB 8230XX LB - 8230Super8 - Luggage Bench

**REVISION DATE:** 3/16/2022

NOTE: DESIGN AND DRAWINGS ARE PROPERTY OF DICKSON FURNITURE MANUFACTURERS LLC AND MAY NOT BE DUPLICATED OR REPRODUCED WITHOUT THE EXPRESS WRITTEN CONSENT OF DICKSON FURNITURE MANUFACTURERS LLC

QUANTITY

00

REV

A

DIMENSIONS ARE IN INCHES

SCALE: 1:10

SHEET 2 OF 4



# IMPORTANT INFORMATION

- AHB 8230XX LB - 8230Super8 - Luggage Bench -



*Lift parts with at least 2 people*

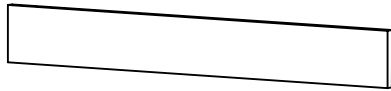
## **+RECOMMENDATIONS:**

- Read instructions before installing
- Keep area clean
- Do not drag the parts
- Do not forget to wear PPE

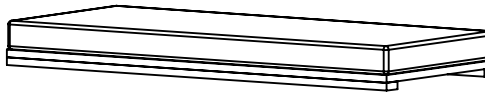
## **+PERSONAL PROTECTION EQUIPMENT (PPE)**

- Hand Protection
- Eye Protection
- Waist Support Belt

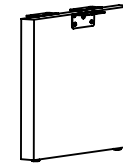
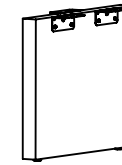
## **Parts:**



*Back Panel*



*TV Desk*



*Legs*

## **+Tools:**



*Electric screwdriver*

## **+Hardware:**



*Screw*

# STEP #1

# ASSEMBLY INSTRUCTIONS

- AHB 8230XX LB - 8230Super8 - Luggage Bench -

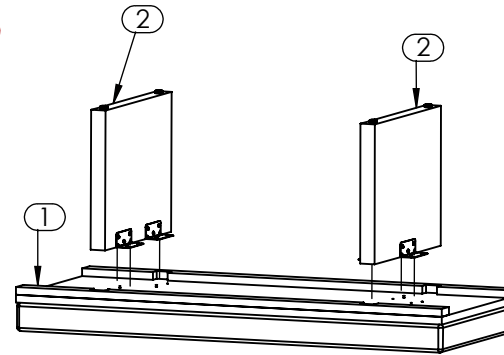
*Note: Assembly can be done with one person.*

**1**



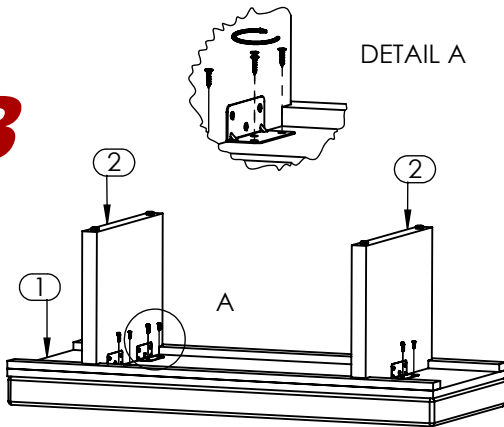
*Place Top of Bench (1) upside down on Floor.*

**2**



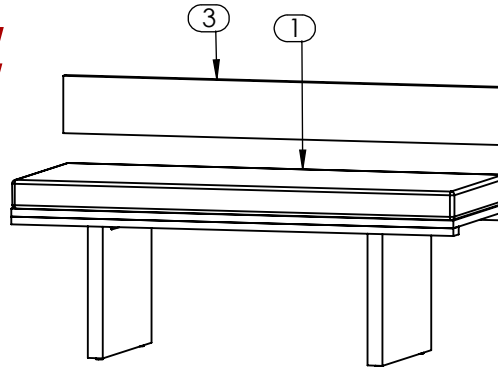
*Place Legs (2) with L-Brackets on Top of Bench (1). It is clearly marked where the Legs (2) should be attached .*

**3**



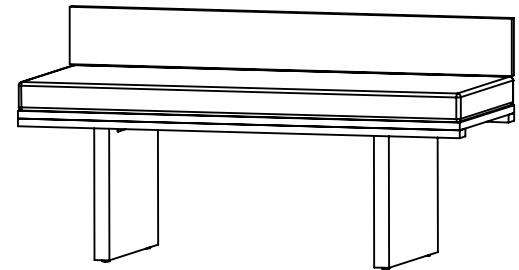
*Attach Legs (2) on TV Desk (1) with screws using the screwdriver. Now you can rotate it upside up.*

**4**



*Attach Back Panel (3) to Top of Bench (1).*

**5**



*Luggage Bench completely assembled.*