

OVERALL:
42"D x 20"W x 30"H

MATERIALS:
 - HP-Laminate PB-3/4"
 - 2mm Edge Tape
 - Plywood 1/2" Drawer Box
 - 14" Full Extension Drawer Guide
 - Plastic Nail Glide 3/4"
 - 2" Plastic Grommet Black
 - L-Bracket - 1.5" x 1.5" x 4"

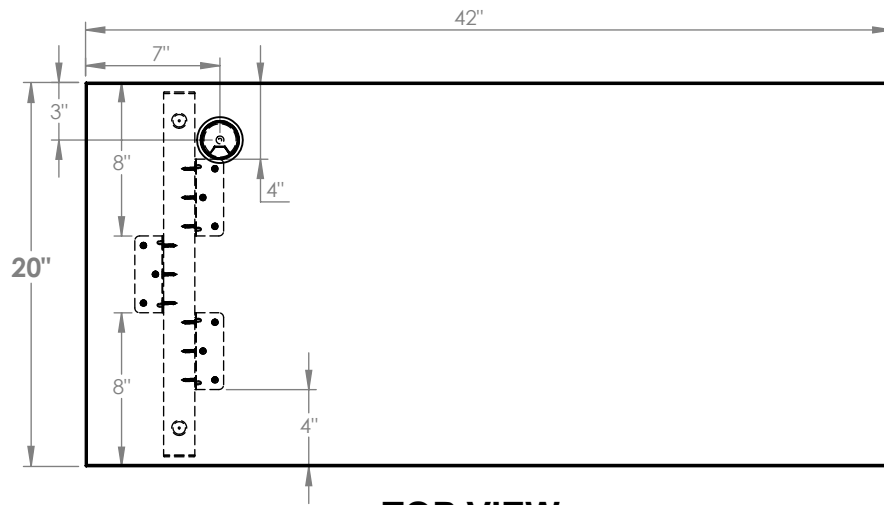
COMMENTS:
 - Overall: 42"W x 20"D x 30"H
 - Color: Wilsonart - 0000 - Custom Laminate
 - Note: Dimensional Tolerance +/- 1/16"
 -
 -
 -

TITLE: AHB 8230XX TVU - 8230Super8 - TV Unit W-1Leg
REVISION DATE: 3/16/2022

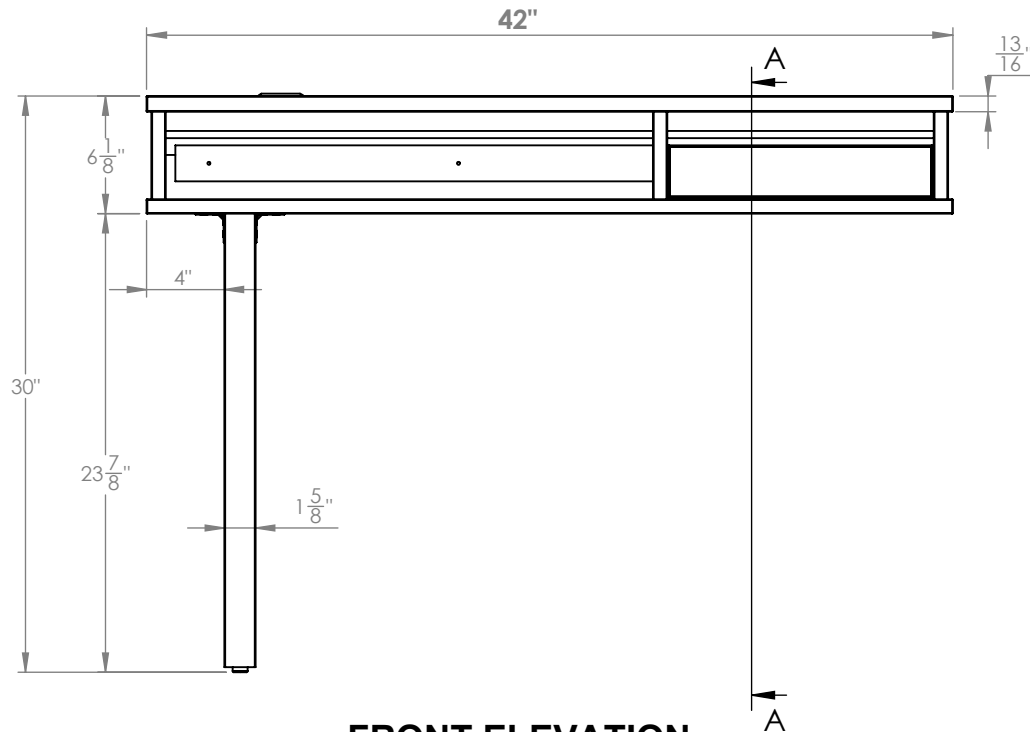
NOTE: DESIGN AND DRAWINGS ARE PROPERTY OF DICKSON FURNITURE MANUFACTURERS LLC AND MAY NOT BE DUPLICATED OR REPRODUCED WITHOUT THE EXPRESS WRITTEN CONSENT OF DICKSON FURNITURE MANUFACTURERS LLC

QUANTITY	00
REV	A
DIMENSIONS ARE IN INCHES	

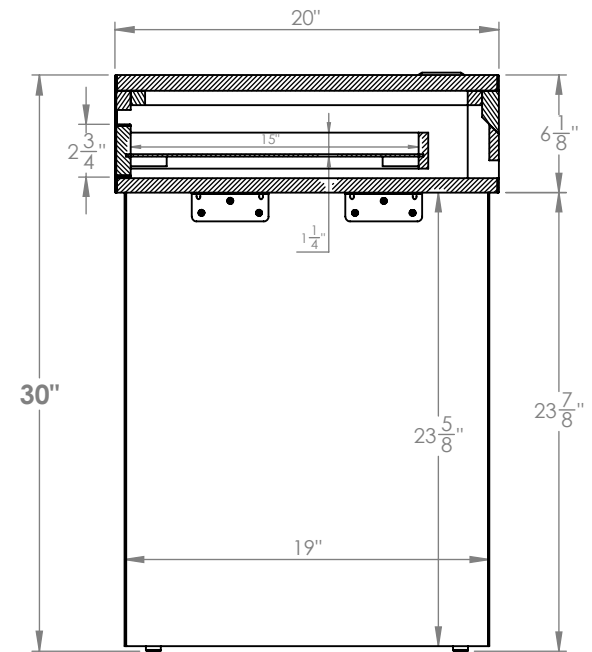
SCALE: 1:7
SHEET 1 OF 4



TOP VIEW



FRONT ELEVATION



SECTION A-A

MATERIALS:
 - HP-Laminate PB-3/4"
 - 2mm Edge Tape
 - Plywood 1/2" Drawer Box
 - 14" Full Extension Drawer Guide
 - Plastic Nail Glide 3/4"
 - 2" Plastic Grommet Black
 - L-Bracket - 1.5" x 1.5" x 4"

COMMENTS:
 - Overall: 42"W x 20"D x 30"H
 - Color: Wilsonart - 0000 - Custom Laminate
 - Note: Dimensional Tolerance +/- 1/16"

TITLE: AHB 8230XX TVU - 8230Super8 - TV Unit W-1Leg
REVISION DATE: 3/16/2022

NOTE: DESIGN AND DRAWINGS ARE PROPERTY OF DICKSON FURNITURE MANUFACTURERS LLC AND MAY NOT BE DUPLICATED OR REPRODUCED WITHOUT THE EXPRESS WRITTEN CONSENT OF DICKSON FURNITURE MANUFACTURERS LLC

QUANTITY	00
REV	A
DIMENSIONS ARE IN INCHES	SCALE: 1:10 SHEET 2 OF 4



IMPORTANT INFORMATION

- AHB 8230XX TVU - 8230Super8 - TV Unit W-1Leg -



Lift parts with at least 2 people

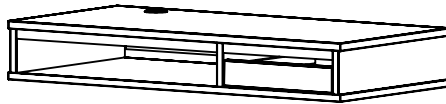
+RECOMMENDATIONS:

- Read instructions before installing
- Keep area clean
- Do not drag the parts
- Do not forget to wear PPE

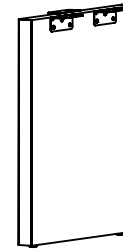
+PERSONAL PROTECTION EQUIPMENT (PPE)

- Hand Protection
- Eye Protection
- Waist Support Belt

Parts:



TV Desk



Leg

+Tools:

**Optional to mount on wall*



**Water level*



**Measuring Tape*



**Pencil*



Electric screwdriver

+Hardware:



Screw

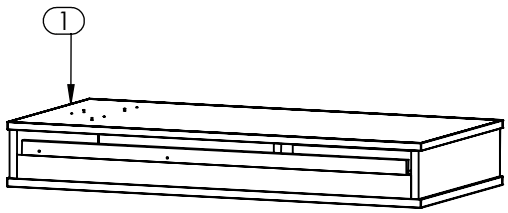
STEP #1

Note: Assembly can be done with one person.

ASSEMBLY INSTRUCTIONS

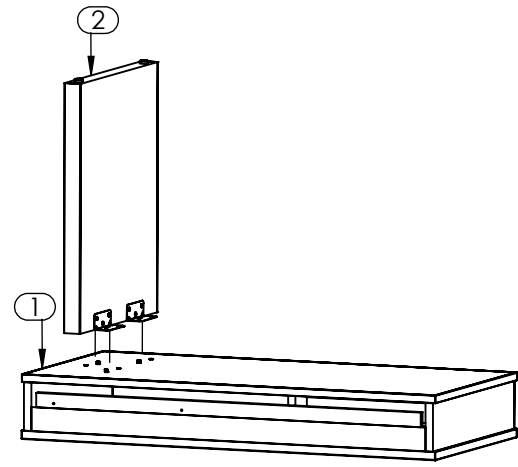
- AHB 8230XX TVU - 8230Super8 - TV Unit W-1Leg -

1



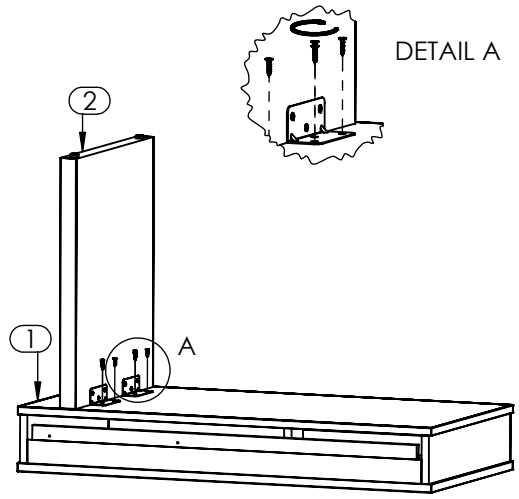
Place TV Desk (1) upside down on Floor.

2



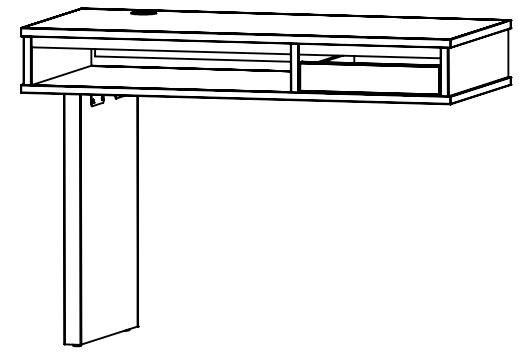
Place Leg (2) with L-Brackets on TV Desk (1). It is clearly marked where the Leg (2) should be attached .

3



Attach Leg (2) on TV Desk (1) with screws using the screwdriver. Now you can rotate it upside up.

4



TV Unit W-1 Leg completely assembled.