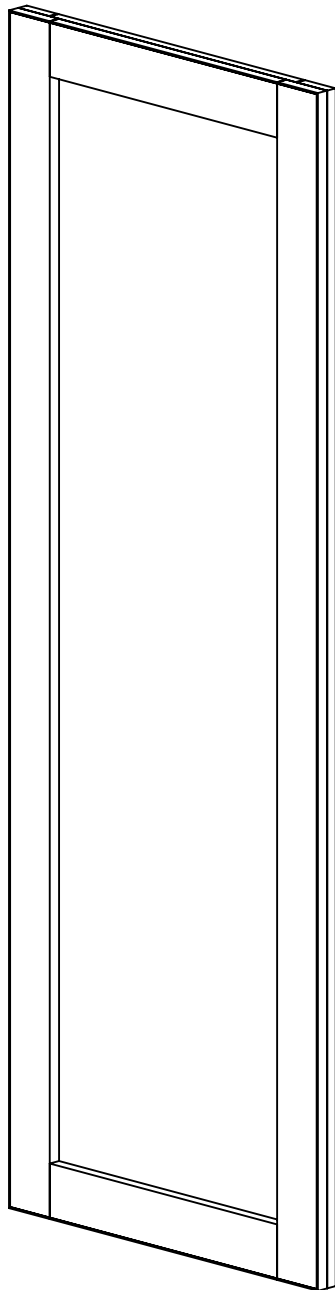


1

2



OVERALL:
22 3/4"D x 1 5/16"W x 64 3/4"H

MATERIALS:
 - HP-Laminate MDF-5/8"
 - .024 Edge Tape
 - Plywood 1/2" Wall Cleat
 - Mirror Glass 3/32" Thick

COMMENTS:
 - Overall: 22 3/4"W x 1 5/16"D x 64 3/4"H
 - Color: Wilsonart - 0000 - Custom Laminate
 - Note: Dimensional Tolerance +/- 1/16"

TITLE: AHB 2200XX MR2365 - 2200Ultra - Full Length Mirror
REVISION DATE: 4/5/2022

NOTE: DESIGN AND DRAWINGS ARE PROPERTY OF DICKSON FURNITURE MANUFACTURERS LLC AND MAY NOT BE DUPLICATED OR REPRODUCED WITHOUT THE EXPRESS WRITTEN CONSENT OF DICKSON FURNITURE MANUFACTURERS LLC

QUANTITY	00
REV	A
DIMENSIONS ARE IN INCHES	SCALE: 1:10 SHEET 1 OF 4

1

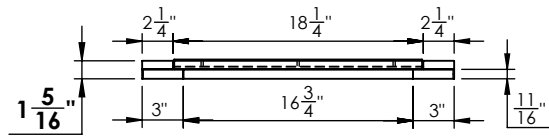
2

A

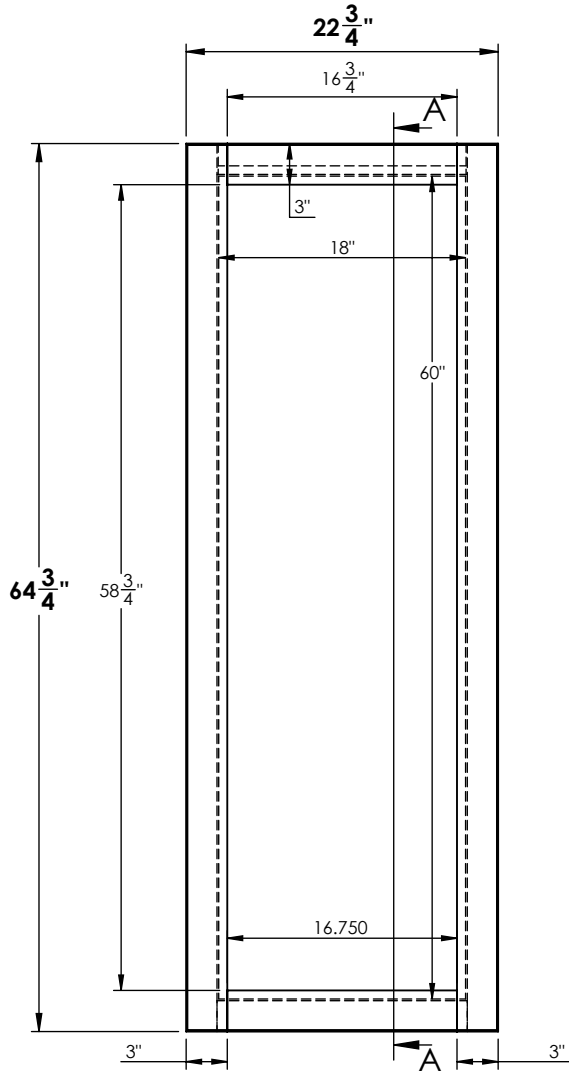
A

B

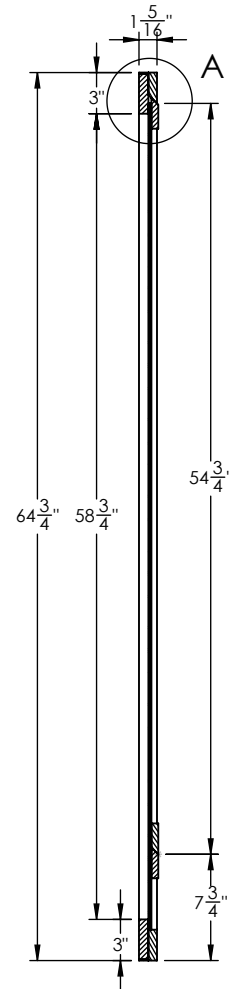
B



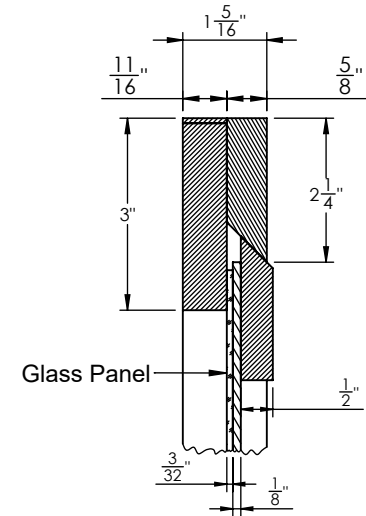
TOP VIEW



FRONT ELEVATION



SECTION A-A



Glass Panel

DETAIL A
SCALE 1 : 3

MATERIALS:
 - HP-Laminate MDF-5/8"
 - .024 Edge Tape
 - Plywood 1/2" Wall Cleat
 - Mirror Glass 3/32" Thick

COMMENTS:
 - Overall: 22 3/4"W x 1 5/16"D x 64 3/4"H
 - Color: Wilsonart - 0000 - Custom Laminate
 - Note: Dimensional Tolerance +/- 1/16"

TITLE: AHB 2200XX MR2365 - 2200Ultra - Full Length Mirror
REVISION DATE: 4/5/2022

NOTE: DESIGN AND DRAWINGS ARE PROPERTY OF DICKSON FURNITURE MANUFACTURERS LLC AND MAY NOT BE DUPLICATED OR REPRODUCED WITHOUT THE EXPRESS WRITTEN CONSENT OF DICKSON FURNITURE MANUFACTURERS LLC

QUANTITY
00

REV
A

DIMENSIONS
ARE IN
INCHES

SCALE: 1:14

SHEET 2 OF 4



IMPORTANT INFORMATION

-AHB 2200XX MR2365 - 2200Ultra - Full Length Mirror-



Lift parts with at least 2 people

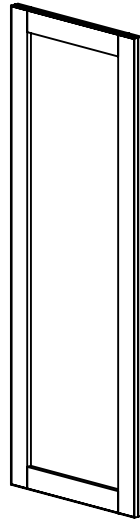
***RECOMMENDATIONS:**

- Read instructions before assembling
- Keep area clean
- Do not drag the parts
- Do not forget to wear PPE

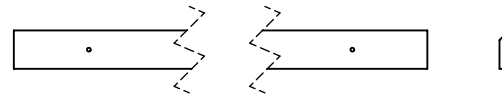
***PERSONAL PROTECTION EQUIPMENT (PPE)**

- Hand Protection
- Eye Protection
- Waist Support Belt

PARTS:



Mirror



Cleat

***Tools:**



Water level



Measuring Tape



Pencil



Drill

***Hardware:**



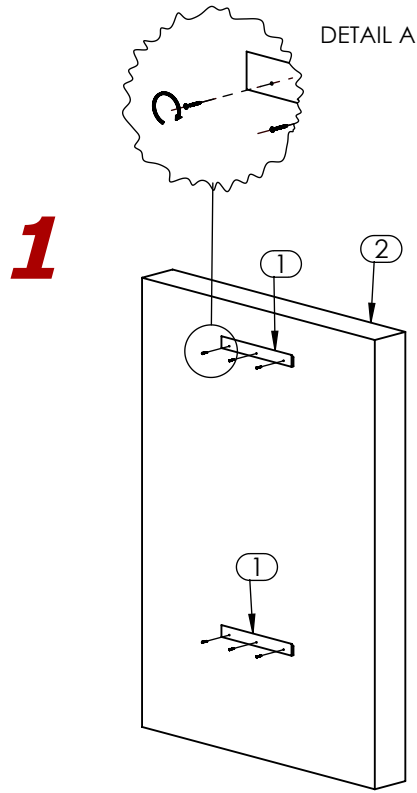
Screw

STEP #1

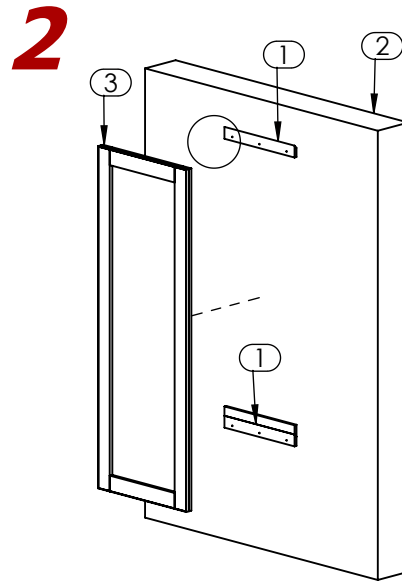
INSTALLATION INSTRUCTIONS

-AHB 2200XX MR2365 - 2200Ultra - Full Length Mirror-

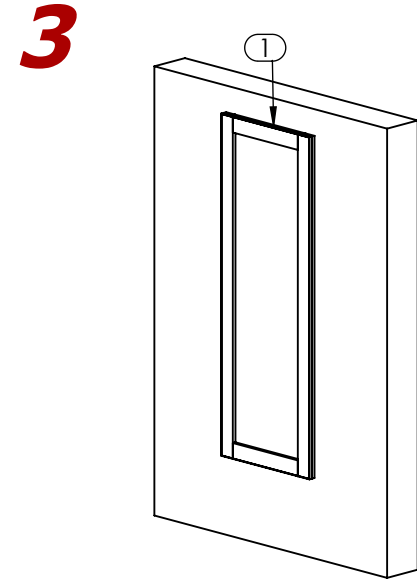
Note: Assembly can be done with 2 people.



Level Cleats ① on Wall ② to attach them. Screws go into studs (Detail A).



Lift Mirror ③ higher than Cleat ① and slowly slide it down until it holds on Wall ②.



Mirror ③ completely assembled.