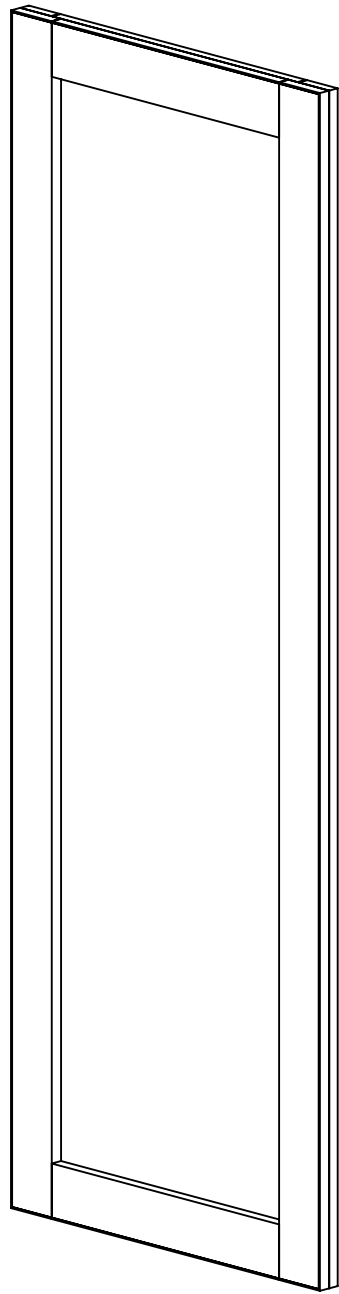


1

2



OVERALL:
 22 3/4"D x 1 5/16"W x 64 3/4"H

MATERIALS:
 - HP-Laminate MDF-5/8"
 - .024 Edge Tape
 - Plywood 1/2" Wall Cleat
 - Mirror Glass 3/32" Thick

COMMENTS:
 - Overall: 22 3/4"W x 1 5/16"D x 64 3/4"H
 - Color: Wilsonart - 0000 - Custom Laminate
 - Note: Dimensional Tolerance +/- 1/16"

TITLE: AHB 2200XX MR2365 - 2200Ultra - Full Length Mirror
REVISION DATE: 4/5/2022

QUANTITY
00

NOTE: DESIGN AND DRAWINGS ARE PROPERTY OF Expect FURNITURE MANUFACTURERS LLC AND MAY NOT BE DUPLICATED OR REPRODUCED WITHOUT THE EXPRESS WRITTEN CONSENT OF DICKSON FURNITURE MANUFACTURERS LLC

DIMENSIONS ARE IN INCHES

SCALE: 1:10
 SHEET 1 OF 4

1

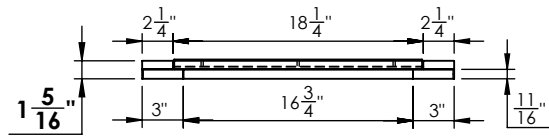
2

A

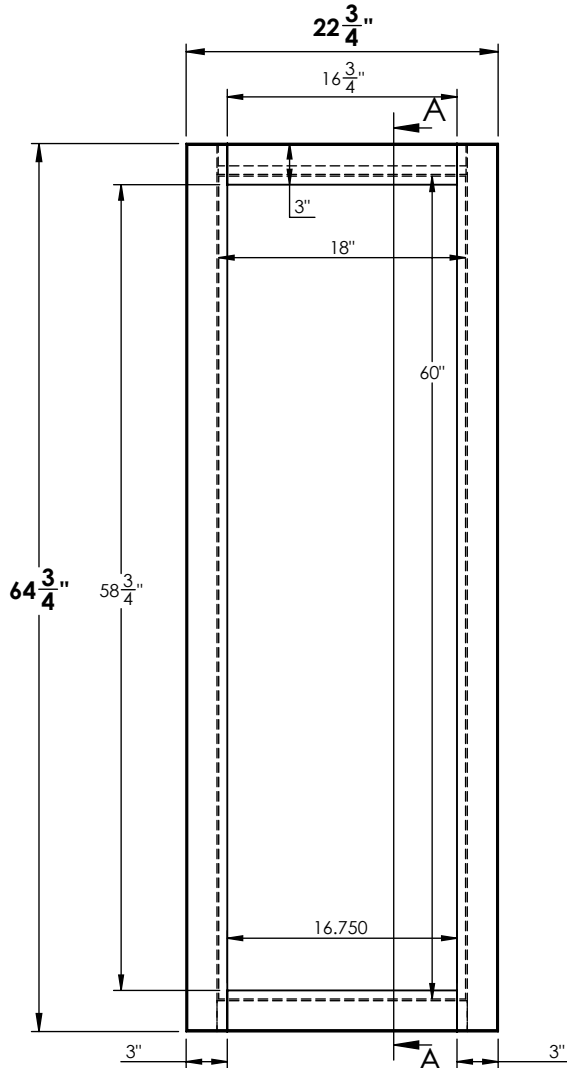
A

B

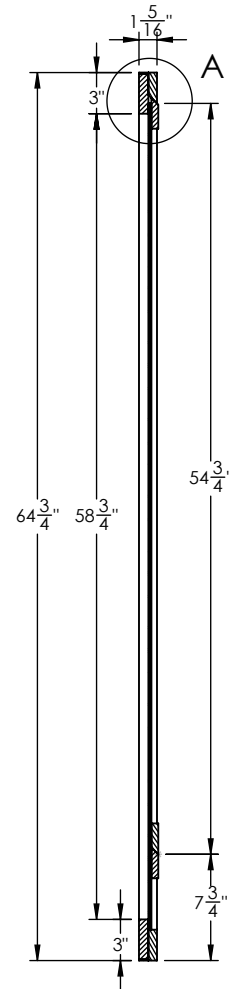
B



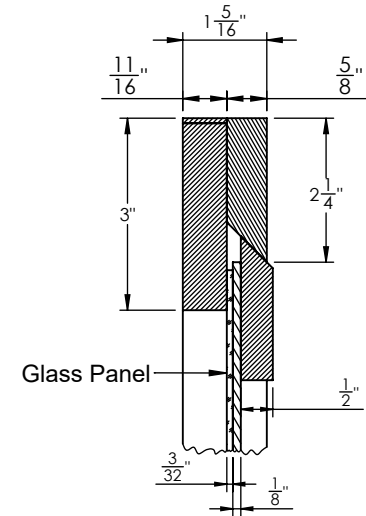
TOP VIEW



FRONT ELEVATION



SECTION A-A



Glass Panel

DETAIL A
SCALE 1 : 3

MATERIALS:
 - HP-Laminate MDF-5/8"
 - .024 Edge Tape
 - Plywood 1/2" Wall Cleat
 - Mirror Glass 3/32" Thick

COMMENTS:
 - Overall: 22 3/4"W x 1 5/16"D x 64 3/4"H
 - Color: Wilsonart - 0000 - Custom Laminate
 - Note: Dimensional Tolerance +/- 1/16"

TITLE: AHB 2200XX MR2365 - 2200Ultra - Full Length Mirror
REVISION DATE: 4/5/2022

NOTE: DESIGN AND DRAWINGS ARE PROPERTY OF Expect FURNITURE MANUFACTURERS LLC AND MAY NOT BE DUPLICATED OR REPRODUCED WITHOUT THE EXPRESS WRITTEN CONSENT OF Expect FURNITURE MANUFACTURERS LLC

QUANTITY
00

REV
A

DIMENSIONS
ARE IN
INCHES

SCALE: 1:14

SHEET 2 OF 4



IMPORTANT INFORMATION

-AHB 2200XX MR2365 - 2200Ultra - Full Length Mirror-



Lift parts with at least 2 people

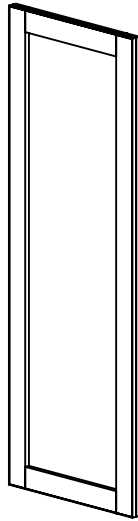
***RECOMMENDATIONS:**

- Read instructions before assembling
- Keep area clean
- Do not drag the parts
- Do not forget to wear PPE

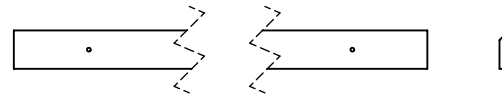
***PERSONAL PROTECTION EQUIPMENT (PPE)**

- Hand Protection
- Eye Protection
- Waist Support Belt

PARTS:



Mirror



Cleat

***Tools:**



Water level



Measuring Tape



Pencil



Drill

***Hardware:**



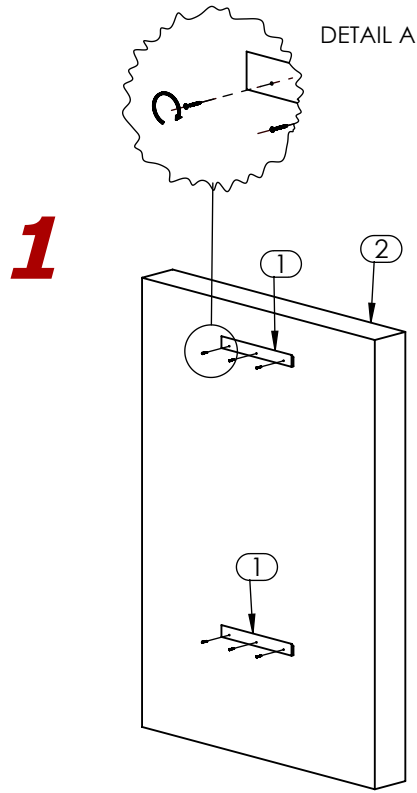
Screw

STEP #1

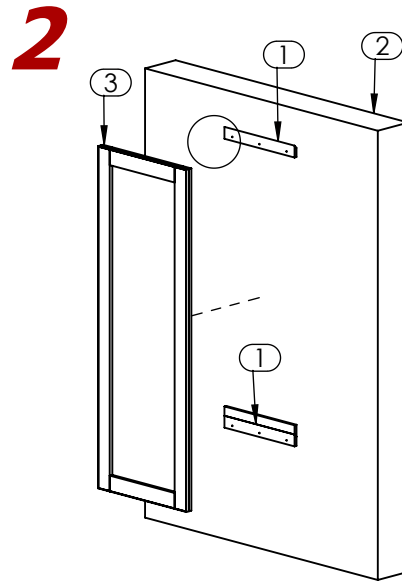
INSTALLATION INSTRUCTIONS

-AHB 2200XX MR2365 - 2200Ultra - Full Length Mirror-

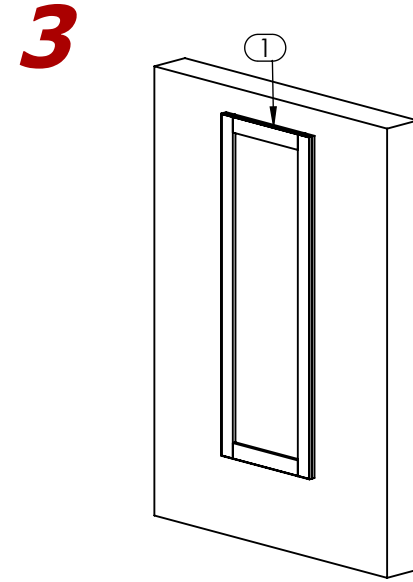
Note: Assembly can be done with 2 people.



Level Cleats ① on Wall ② to attach them. Screws go into studs (Detail A).



Lift Mirror ③ higher than Cleat ① and slowly slide it down until it holds on Wall ②.



Mirror ③ completely assembled.