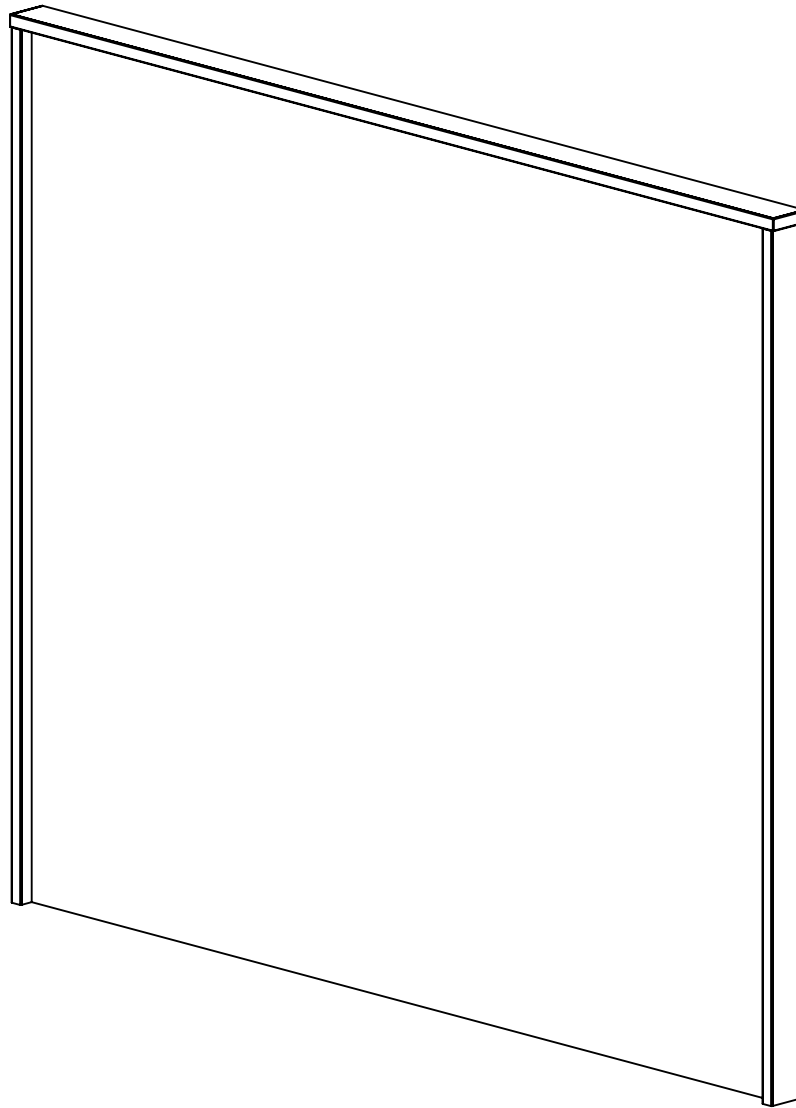


1

2



EXPECT
Furniture Manufacture



OVERALL:
56"D x 2 3/8"W x 48"H

MATERIALS:
- HP-Laminate PB-5/8"
- 2MM Edge Tape
- PLY-1/2" Wall Cleat
- Wood Framing

COMMENTS:
- Overall: 56"W x 2 3/8"D x 48"H
- Color: Wilsonart - Cocobala - 7942
- Note:

TITLE: AHB 8100CCB 48H4 - 8100Red Roof - Full Headboard 48H
REVISION DATE: 4/6/2022

NOTE: DESIGN AND DRAWINGS ARE PROPERTY OF DICKSON FURNITURE MANUFACTURERS LLC AND MAY NOT BE DUPLICATED OR REPRODUCED WITHOUT THE EXPRESS WRITTEN CONSENT OF DICKSON FURNITURE MANUFACTURERS LLC

QUANTITY
00

REV
A

DIMENSIONS
ARE IN
INCHES

SCALE: 1:10
SHEET 1 OF 4

1

2

A

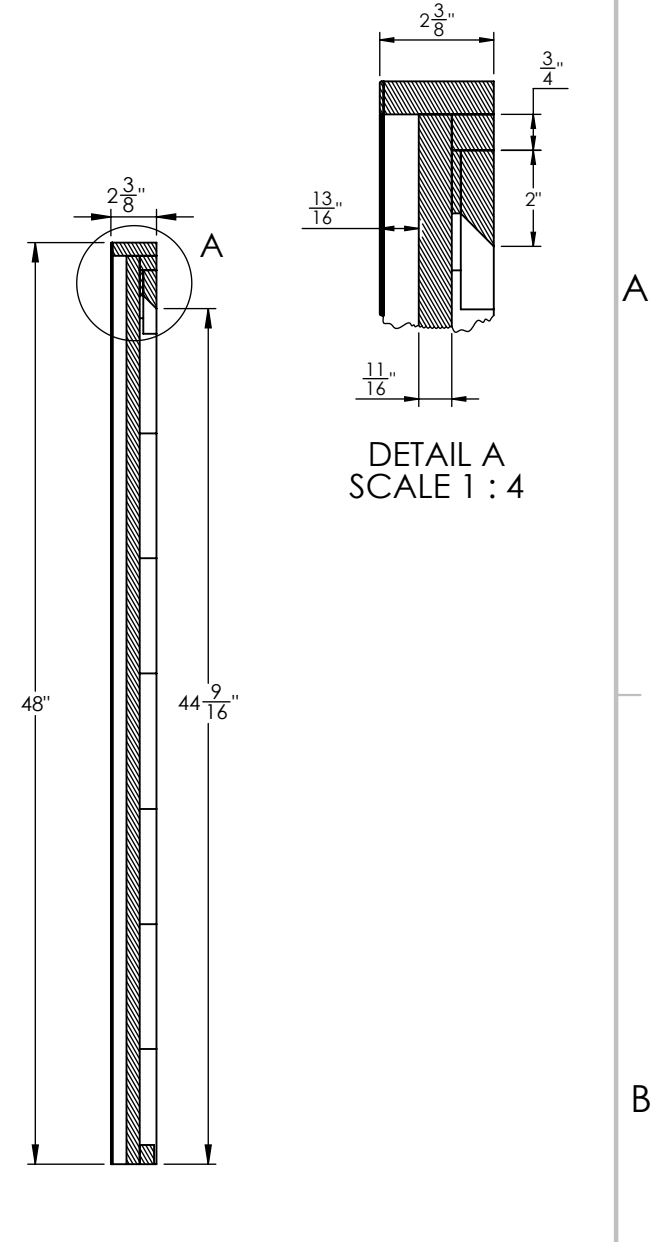
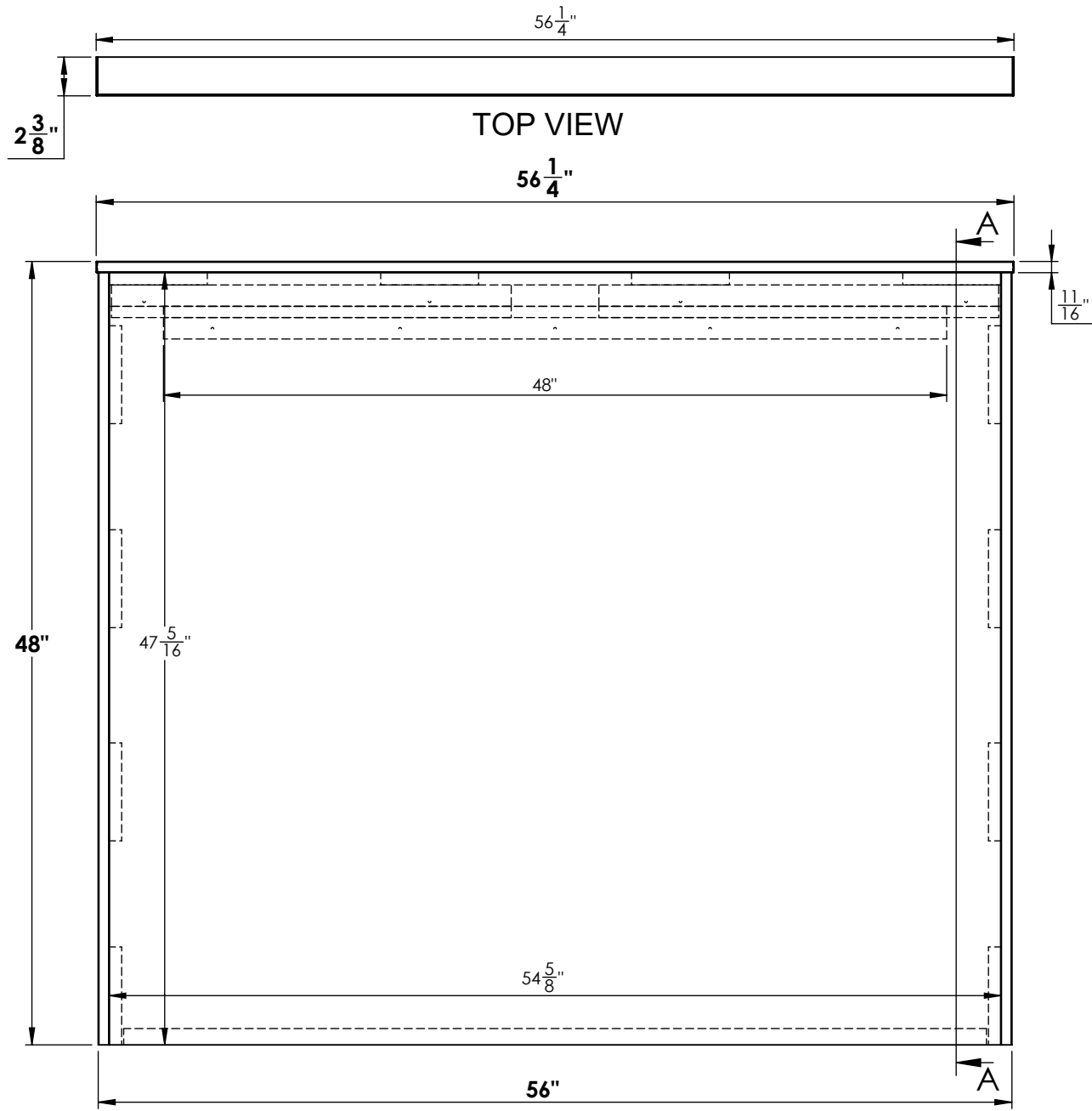
A

B

B

1

2



FRONT ELEVATION

SECTION A-A

DETAIL A
SCALE 1 : 4

MATERIALS:
 - HP-Laminate PB-5/8"
 - 2MM Edge Tape
 - PLY-1/2" Wall Cleat
 - Wood Framing

COMMENTS:
 - Overall: 56"W x 2 3/8"D x 48"H
 - Color: Wilsonart - Cocobala - 7942
 - Note:

TITLE: AHB 8100CCB 48H4 - 8100Red Roof - Full Headboard 48H
REVISION DATE: 4/6/2022
 NOTE: DESIGN AND DRAWINGS ARE PROPERTY OF DICKSON FURNITURE MANUFACTURERS LLC AND MAY NOT BE DUPLICATED OR REPRODUCED WITHOUT THE EXPRESS WRITTEN CONSENT OF DICKSON FURNITURE MANUFACTURERS LLC

QUANTITY	00
REV	A
DIMENSIONS ARE IN INCHES	SCALE: 1:10 SHEET 2 OF 4

1

2



IMPORTANT INFORMATION

-8100Red Roof - Full Headboard 48H-



Lift parts with at least 2 people

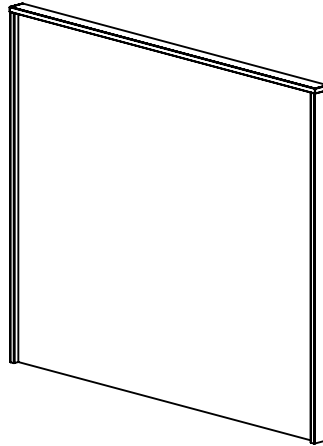
***RECOMMENDATIONS:**

- Read instructions before assembling
- Keep area clean
- Do not drag the parts
- Do not forget to wear PPE

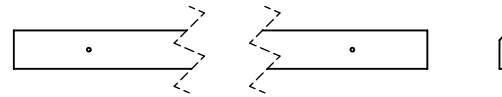
***PERSONAL PROTECTION EQUIPMENT (PPE)**

- Hand Protection
- Eye Protection
- Waist Support Belt

PARTS:



Full Headboard



Cleat

***Tools:**



Water level



Measuring Tape



Pencil



Drill

***Hardware:**



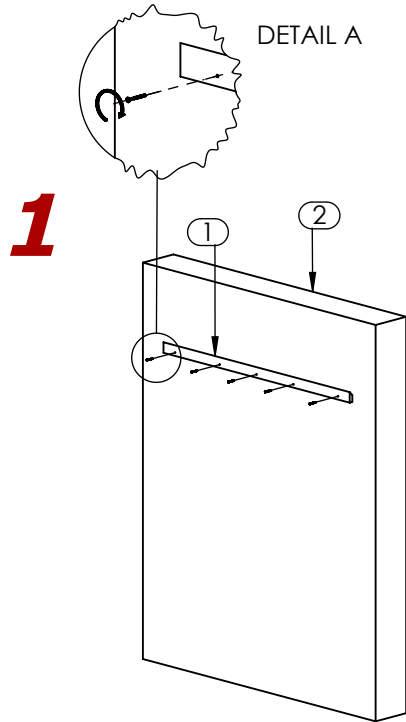
Screw

STEP #1

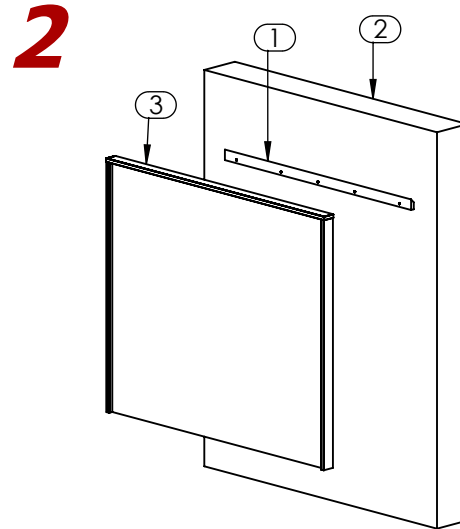
Note: Assembly can be done with 2 people.

INSTALLATION INSTRUCTIONS

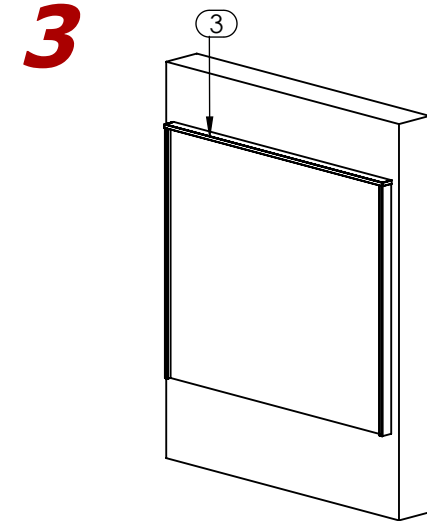
-8100Red Roof - Full Headboard 48H-



Level Cleat (1) on Wall (2) to attach them. Screws go into studs (Detail A).



Lift Headboard (3) higher than Cleat (1) and slowly slide it down until it holds on Wall (2).



Headboard (3) completely assembled.