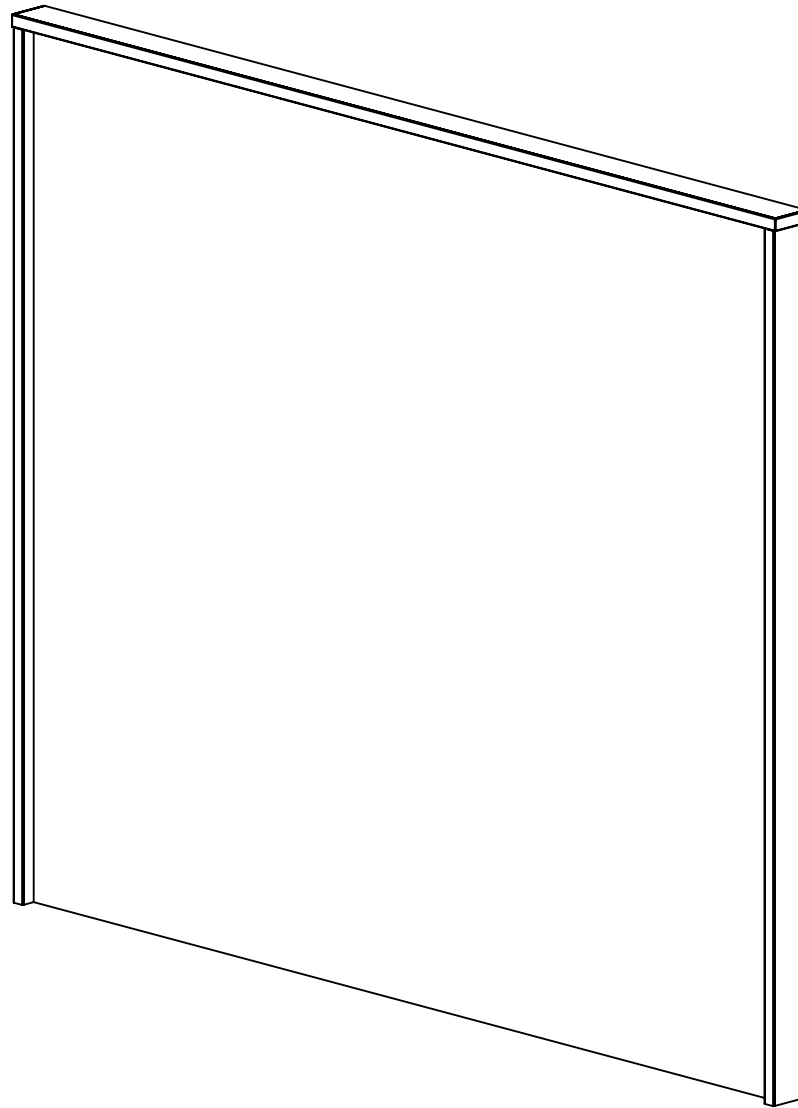




**EXPECT**  
Furniture Manufacture



**OVERALL:**  
56"D x 2 3/8"W x 48"H

**MATERIALS:**  
- HP-Laminate PB-5/8"  
- 2MM Edge Tape  
- PLY-1/2" Wall Cleat  
- Wood Framing

**COMMENTS:**  
- Overall: 56"W x 2 3/8"D x 48"H  
- Color: Wilsonart - Cocobala - 7942  
- Note:

**TITLE:** AHB 8100CCB 48H4 - 8100Red Roof - Full Headboard 48H  
**REVISION DATE:** 4/6/2022

NOTE: DESIGN AND DRAWINGS ARE PROPERTY OF DICKSON FURNITURE MANUFACTURERS LLC AND MAY NOT BE DUPLICATED OR REPRODUCED WITHOUT THE EXPRESS WRITTEN CONSENT OF DICKSON FURNITURE MANUFACTURERS LLC

QUANTITY  
**00**

REV  
**A**

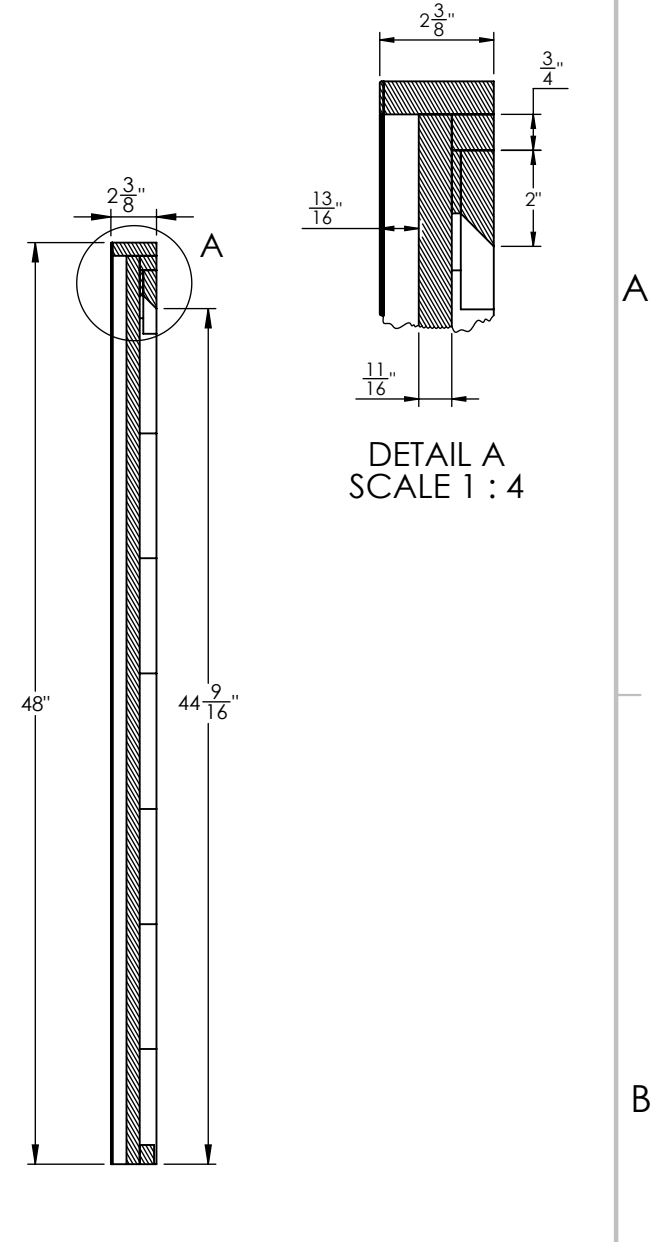
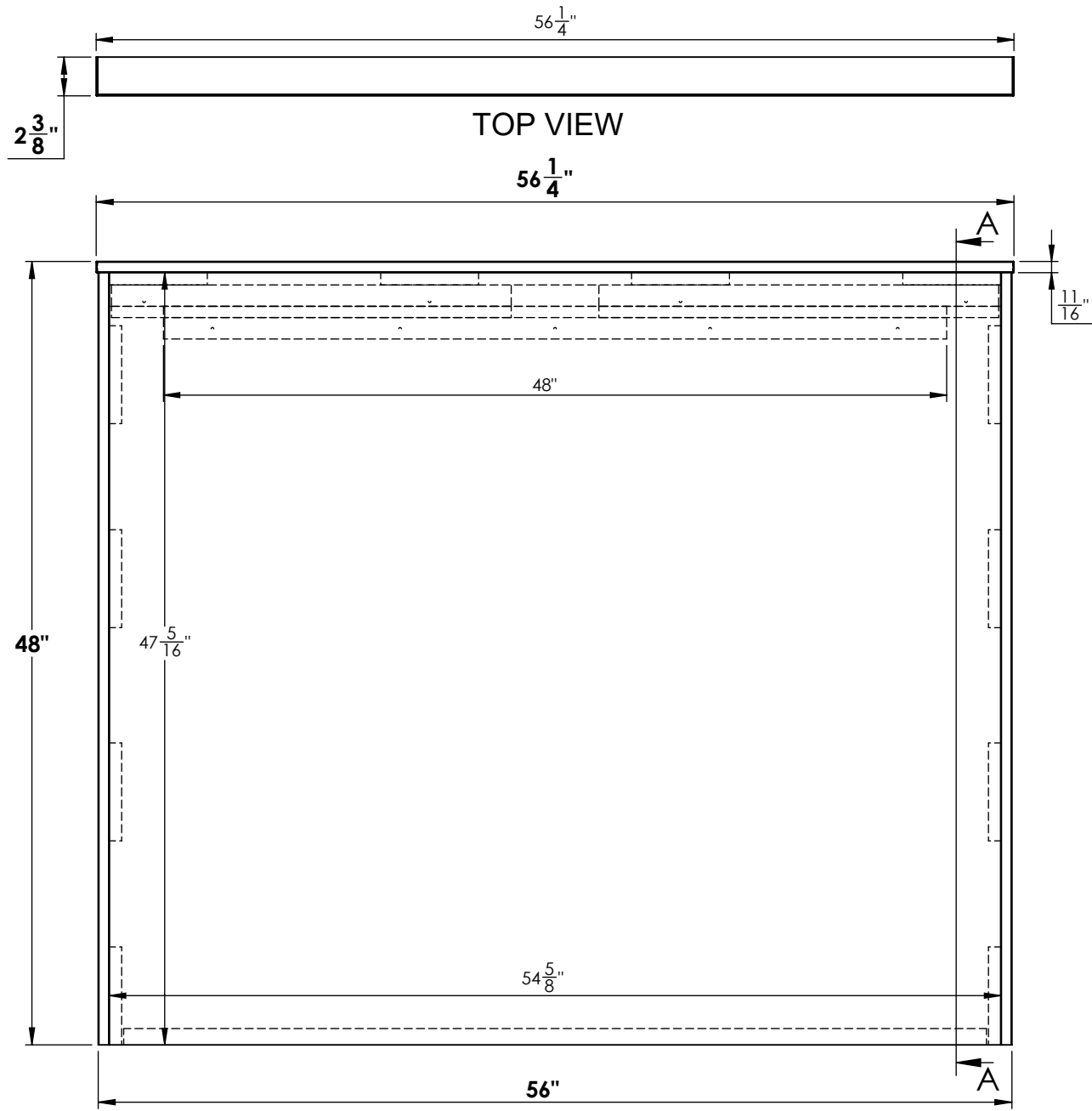
DIMENSIONS  
ARE IN  
INCHES

SCALE: 1:10

SHEET 1 OF 4

1

2



FRONT ELEVATION

SECTION A-A

DETAIL A  
SCALE 1 : 4

**MATERIALS:**

- HP-Laminate PB-5/8"
- 2MM Edge Tape
- PLY-1/2" Wall Cleat
- Wood Framing

**COMMENTS:**

- Overall: 56"W x 2 3/8"D x 48"H
- Color: Wilsonart - Cocobala - 7942
- Note:

**TITLE:** AHB 8100CCB 48H4 - 8100Red Roof - Full Headboard 48H  
**REVISION DATE:** 4/6/2022

NOTE: DESIGN AND DRAWINGS ARE PROPERTY OF DICKSON FURNITURE MANUFACTURERS LLC AND MAY NOT BE DUPLICATED OR REPRODUCED WITHOUT THE EXPRESS WRITTEN CONSENT OF DICKSON FURNITURE MANUFACTURERS LLC

QUANTITY	00
REV	A
DIMENSIONS ARE IN INCHES	SCALE: 1:10 SHEET 2 OF 4

1

2



# IMPORTANT INFORMATION

-8100Red Roof - Full Headboard 48H-



*Lift parts with at least 2 people*

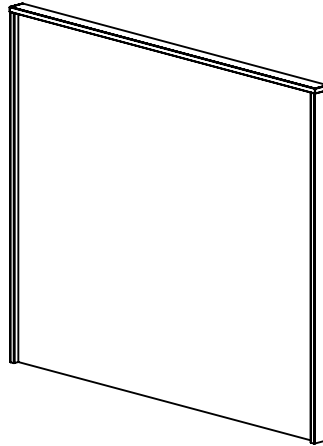
## **\*RECOMMENDATIONS:**

- Read instructions before assembling
- Keep area clean
- Do not drag the parts
- Do not forget to wear PPE

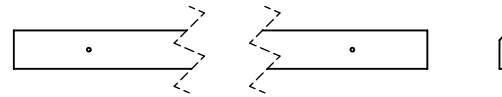
## **\*PERSONAL PROTECTION EQUIPMENT (PPE)**

- Hand Protection
- Eye Protection
- Waist Support Belt

## **PARTS:**



*Full Headboard*



*Cleat*

## **\*Tools:**



*Water level*



*Measuring Tape*



*Pencil*



*Drill*

## **\*Hardware:**



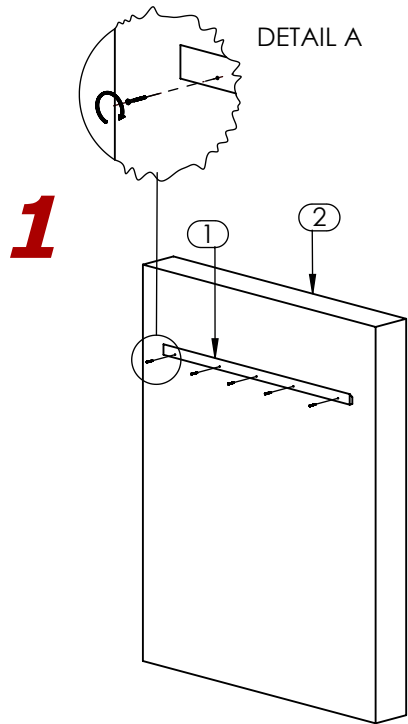
*Screw*

# STEP #1

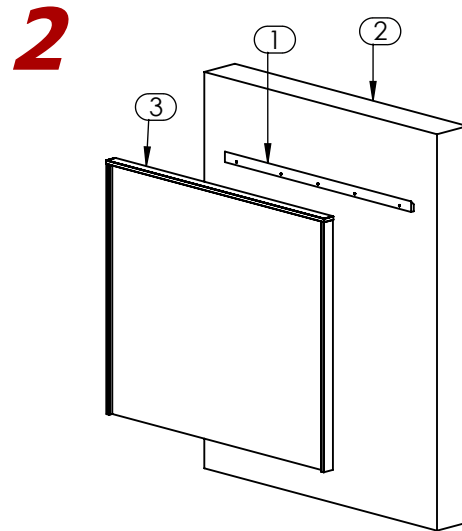
# INSTALLATION INSTRUCTIONS

-8100Red Roof - Full Headboard 48H-

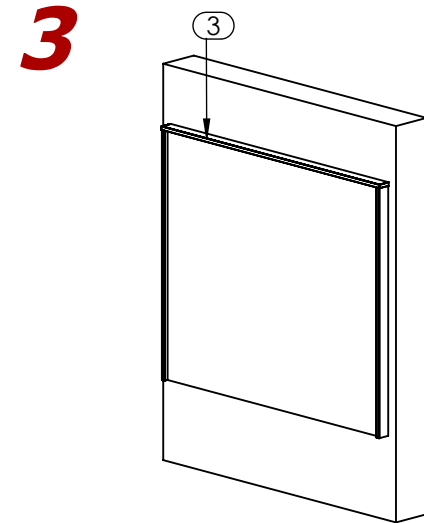
Note: Assembly can be done with 2 people.



Level Cleat (1) on Wall (2) to attach them. Screws go into studs (Detail A).



Lift Headboard (3) higher than Cleat (1) and slowly slide it down until it holds on Wall (2).



Headboard (3) completely assembled.