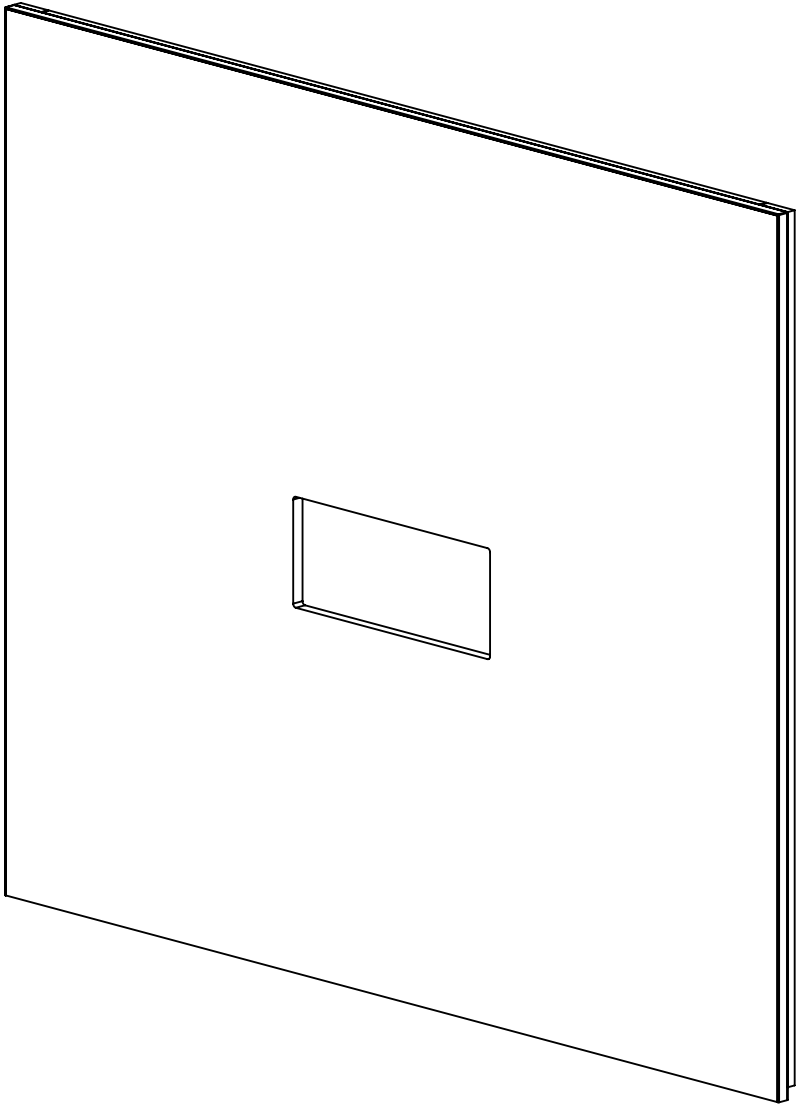




EXPECT
Furniture Manufacture



OVERALL:
57"D x 1 3/16"W x 48 "H

MATERIALS:
- HP-Laminate PB-5/8"
- 2MM Edge Tape
- Plywood 1/2" Back Framing
- Plywood 1/2" Wall Cleat

COMMENTS:
- Overall: 57"W x 1 3/16"D x 48"H
- Color: Wilsonart - Cocobala - 7942K-07
- Note:

TITLE: AHB 8100CCB TVP57 - 8100Red Roof - TV Panel 57"W
REVISION DATE: 4/6/2022

NOTE: DESIGN AND DRAWINGS ARE PROPERTY OF DICKSON FURNITURE MANUFACTURERS LLC AND MAY NOT BE DUPLICATED OR REPRODUCED WITHOUT THE EXPRESS WRITTEN CONSENT OF DICKSON FURNITURE MANUFACTURERS LLC

QUANTITY
00

REV
A

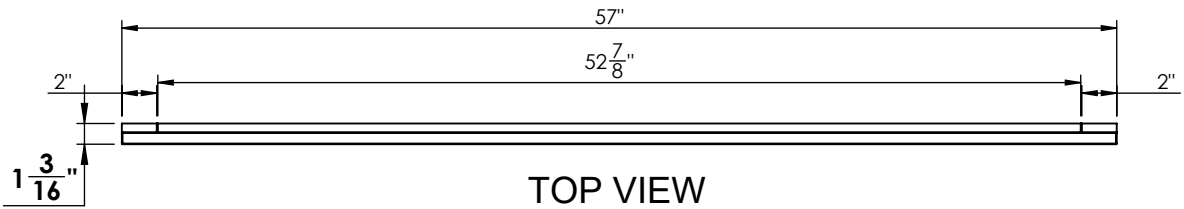
DIMENSIONS
ARE IN
INCHES

SCALE: 1:10

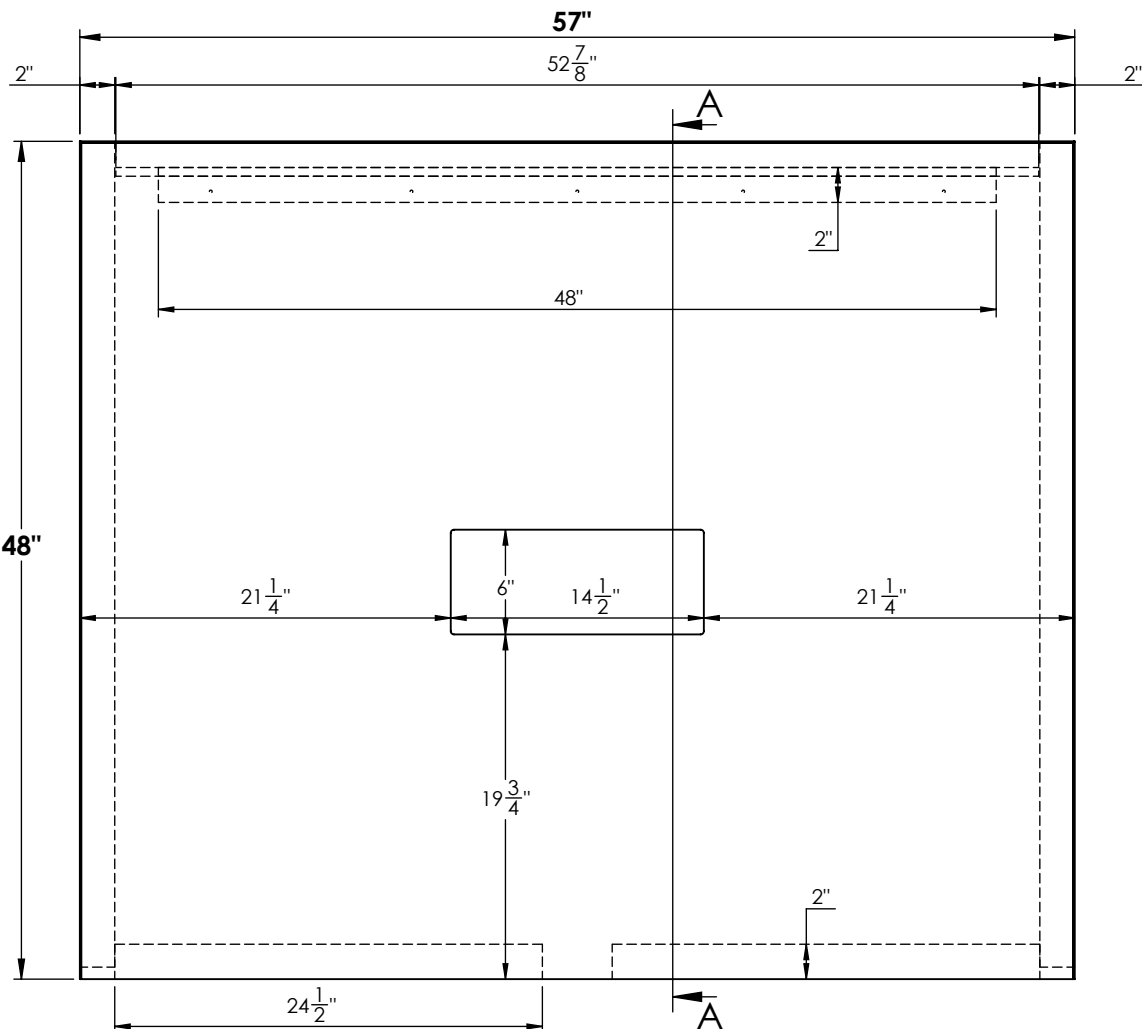
SHEET 1 OF 4

1

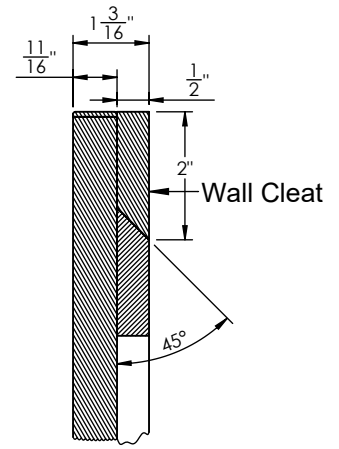
2



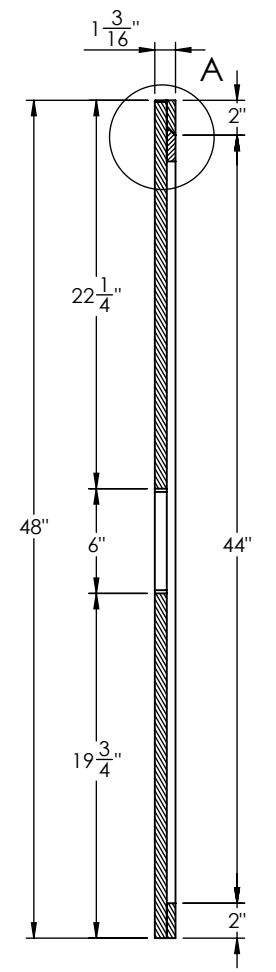
A



B



A



B

MATERIALS:

- HP-Laminate PB-5/8"
- 2MM Edge Tape
- Plywood 1/2" Back Framing
- Plywood 1/2" Wall Cleat

COMMENTS:

- Overall: 57"W x 1 3/16"D x 48"H
- Color: Wilsonart - Cocobala - 7942K-07
- Note:

TITLE: AHB 8100CCB TVP57 - 8100Red Roof - TV Panel 57"W

REVISION DATE: 4/6/2022

NOTE: DESIGN AND DRAWINGS ARE PROPERTY OF DICKSON FURNITURE MANUFACTURERS LLC AND MAY NOT BE DUPLICATED OR REPRODUCED WITHOUT THE EXPRESS WRITTEN CONSENT OF DICKSON FURNITURE MANUFACTURERS LLC

QUANTITY	00
REV	A
DIMENSIONS ARE IN INCHES	SCALE: 1:11 SHEET 2 OF 4

1

2



IMPORTANT INFORMATION

-8100Red Roof - TV Panel 57"W-



Lift parts with at least 2 people

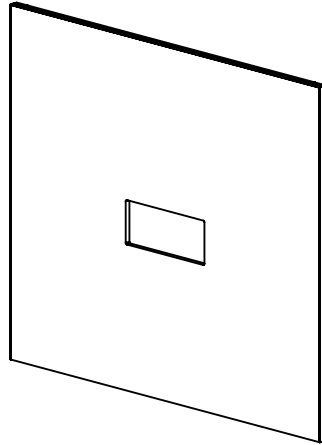
***RECOMMENDATIONS:**

- Read instructions before assembling
- Keep area clean
- Do not drag the parts
- Do not forget to wear PPE

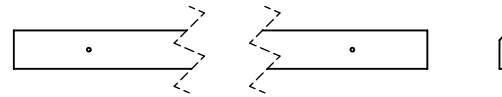
***PERSONAL PROTECTION EQUIPMENT (PPE)**

- Hand Protection
- Eye Protection
- Waist Support Belt

PARTS:



TV Panel



Cleat

***Tools:**



Water level



Measuring Tape



Pencil



Drill

***Hardware:**



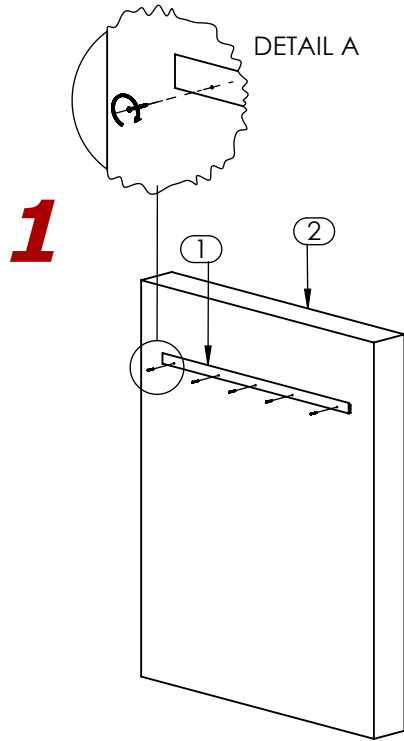
Screw

STEP #1

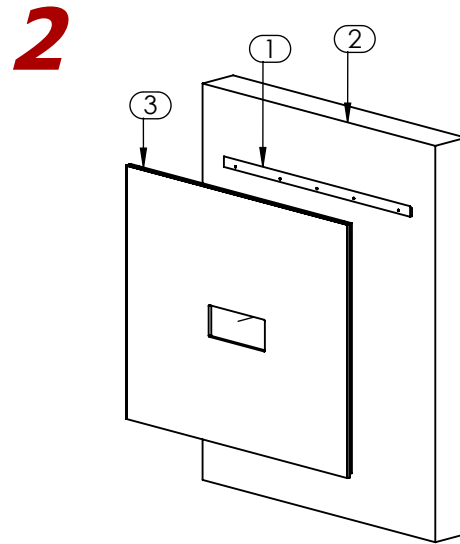
INSTALLATION INSTRUCTIONS

- 8100Red Roof - TV Panel 57"W-

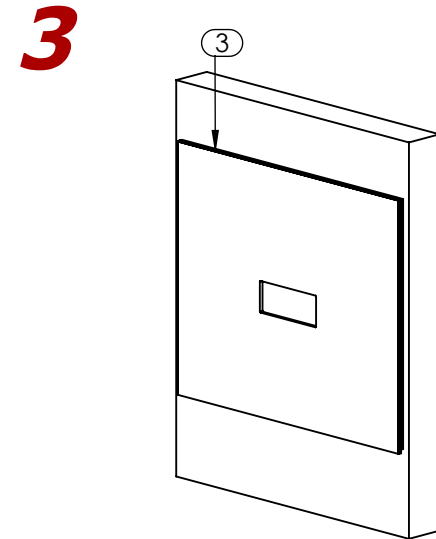
Note: Assembly can be done with 2 people.



Level Cleat (1) on Wall (2) to attach them. Screws go into studs (Detail A).



Lift TV Panel (3) higher than Cleat (1) and slowly slide it down until it holds on Wall (2).



TV Panel (3) completely assembled.