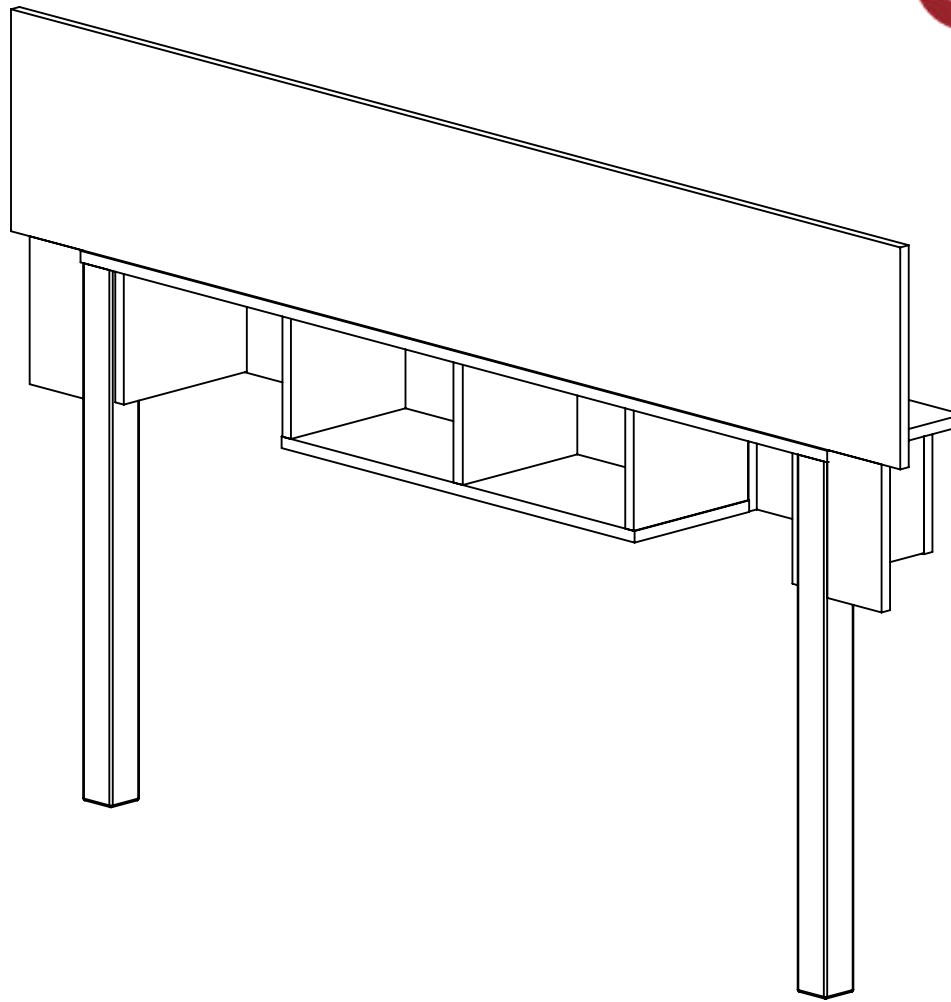




EXPECT
Furniture Manufacture



OVERALL:
55"W x 10"D x 29 11/16"H

MATERIALS:
- HP-Laminate PB-5/8"
- 0.018 Edge Tape
- Wood Leg 27"H

COMMENTS:
- Overall: 55"W x 10"D x 29 11/16"H
- Color: Wilsonart - Cocobala - 7942
- Note:

TITLE: AHB 8100CCB TW55 - 8100Red Roof - Adj. Towel Cubby 55"W
REVISION DATE: 4/7/2022

NOTE: DESIGN AND DRAWINGS ARE PROPERTY OF DICKSON FURNITURE MANUFACTURERS LLC AND MAY NOT BE DUPLICATED OR REPRODUCED WITHOUT THE EXPRESS WRITTEN CONSENT OF DICKSON FURNITURE MANUFACTURERS LLC

QUANTITY
00

REV
A

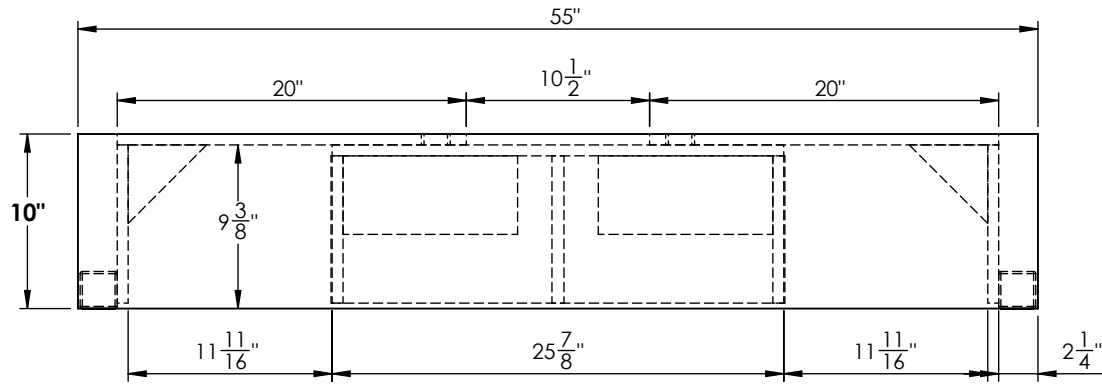
DIMENSIONS
ARE IN
INCHES

SCALE: 1:10

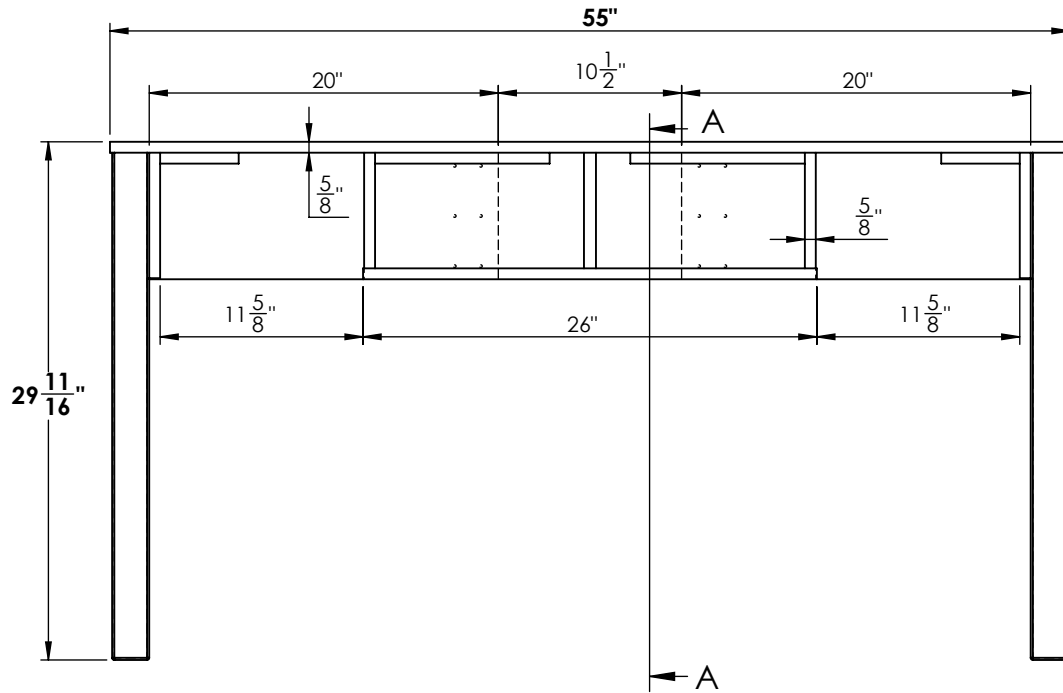
SHEET 1 OF 5

1

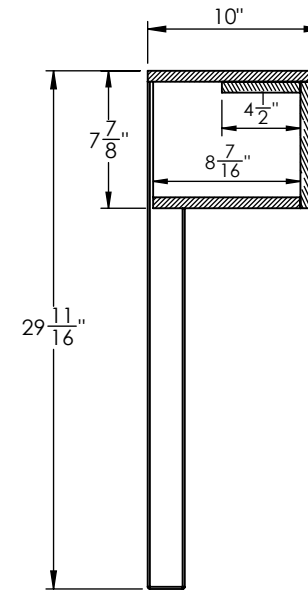
2



TOP VIEW



FRONT ELEVATION



SECTION A-A

MATERIALS:
 - HP-Laminate PB-5/8"
 - 0.018 Edge Tape
 - Wood Leg 27"H

COMMENTS:
 - Overall: 55"W x 10"D x 29 11/16"H
 - Color: Wilsonart - Cocobala - 7942
 - Note:

TITLE: AHB 8100CCB TW55 - 8100Red Roof - Adj. Towel Cubby 55"W
REVISION DATE: 4/7/2022

NOTE: DESIGN AND DRAWINGS ARE PROPERTY OF DICKSON FURNITURE MANUFACTURERS LLC AND MAY NOT BE DUPLICATED OR REPRODUCED WITHOUT THE EXPRESS WRITTEN CONSENT OF DICKSON FURNITURE MANUFACTURERS LLC

QUANTITY	00
REV	A
DIMENSIONS ARE IN INCHES	

SCALE: 1:11
 SHEET 2 OF 5

1

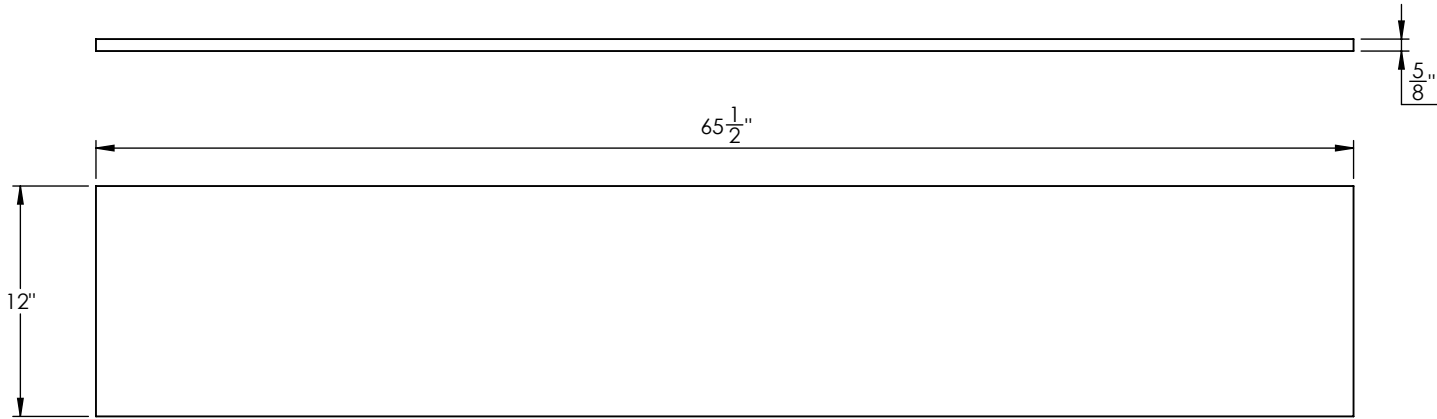
2

A

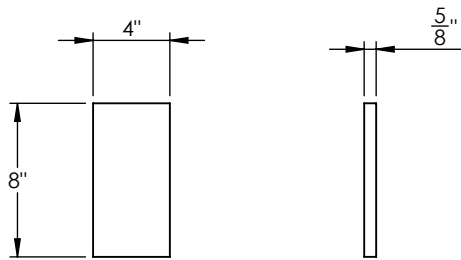
A

B

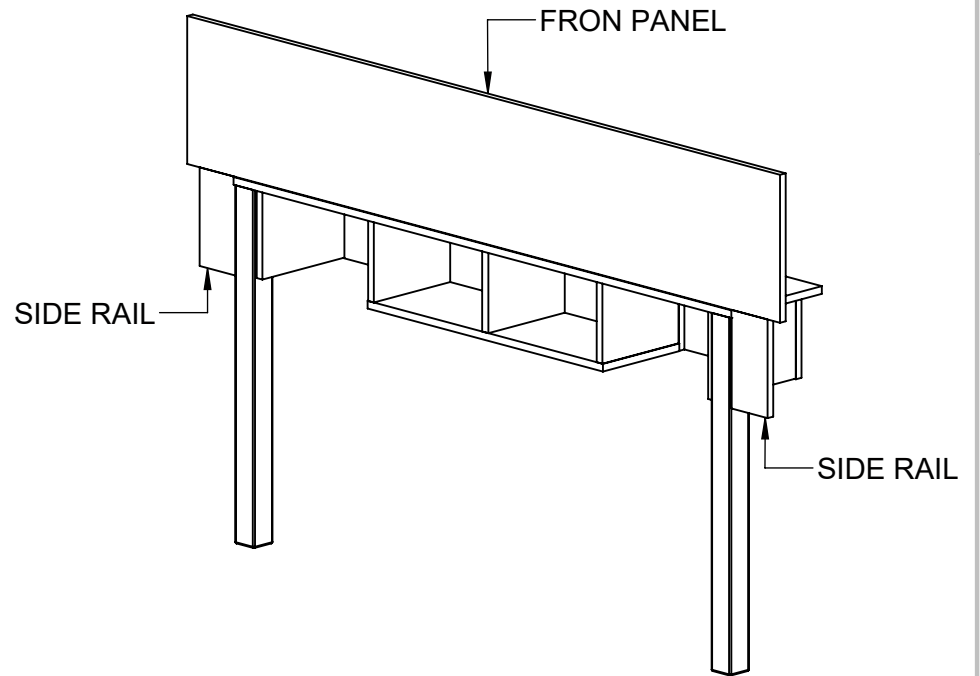
B



FRONT PANEL (X-1)



SIDE RAIL (X-2)



MATERIALS:
 - HP-Laminate PB-5/8"
 - 0.018 Edge Tape
 - Wood Leg 27"H

COMMENTS:
 - Overall: 55"W x 10"D x 29 11/16"H
 - Color: Wilsonart - Cocobala - 7942
 - Note:

TITLE: AHB 8100CCB TW55 - 8100Red Roof - Adj. Towel Cubby 55"W
REVISION DATE: 4/7/2022

NOTE: DESIGN AND DRAWINGS ARE PROPERTY OF DICKSON FURNITURE MANUFACTURERS LLC AND MAY NOT BE DUPLICATED OR REPRODUCED WITHOUT THE EXPRESS WRITTEN CONSENT OF DICKSON FURNITURE MANUFACTURERS LLC

QUANTITY
00

REV
A

DIMENSIONS
ARE IN
INCHES

SCALE: 1:10
SHEET 3 OF 5



IMPORTANT INFORMATION

- 8100Red Roof - Adj. Towel Cubby 55"W -



Lift parts with at least 2 people.

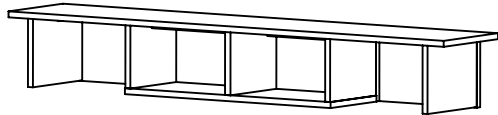
+RECOMMENDATIONS:

- Read instructions before installing.
- Keep area clean.
- Do not drag the parts.
- Do not forget to wear PPE.

+PERSONAL PROTECTION EQUIPMENT (PPE):

- Hand Protection.
- Eye Protection.
- Waist Support Belt.

Parts:



Towel Cubby



Front Panel



Side Rail (2)



Legs (4)

+Tools:



Electric screwdriver

+Hardware:



Screw

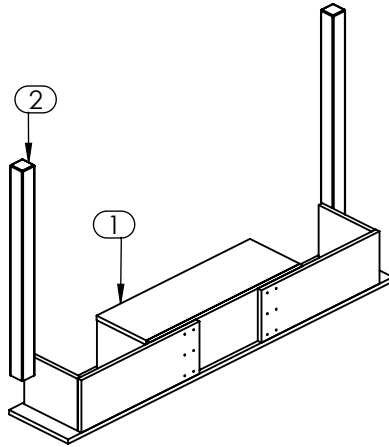
STEP #1

Note: Assembly can be done with one person.

ASSEMBLY INSTRUCTIONS

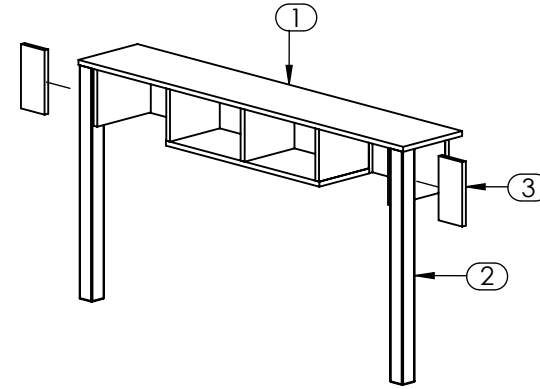
- 8100Red Roof - Adj. Towel Cubby 55"W -

1



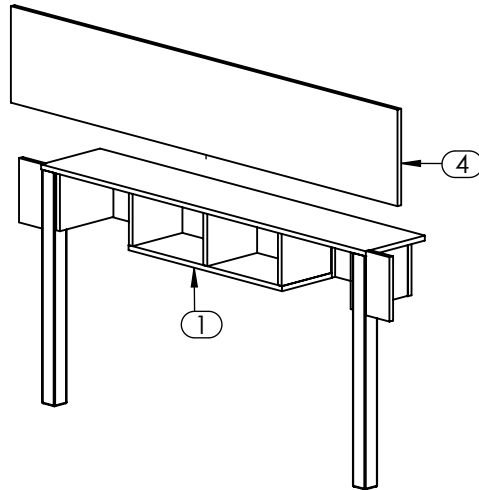
Upside down Towel Cubby (1) onto a clean surface on the ground and Attach Legs (2).

2



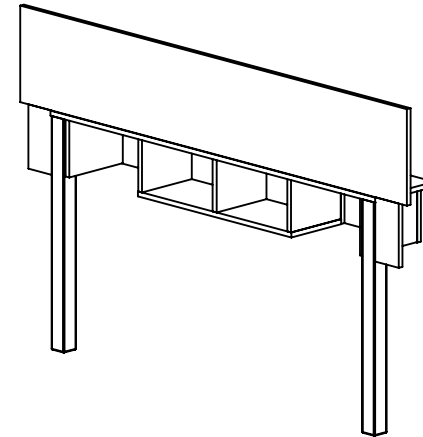
Turn Towel Cubby (1) right-side up and attach Side Rails (3) on each side.

3



Attach Front Panel (4) to Cubby (1).

4



Towel Cubby 55"W completely assembled.