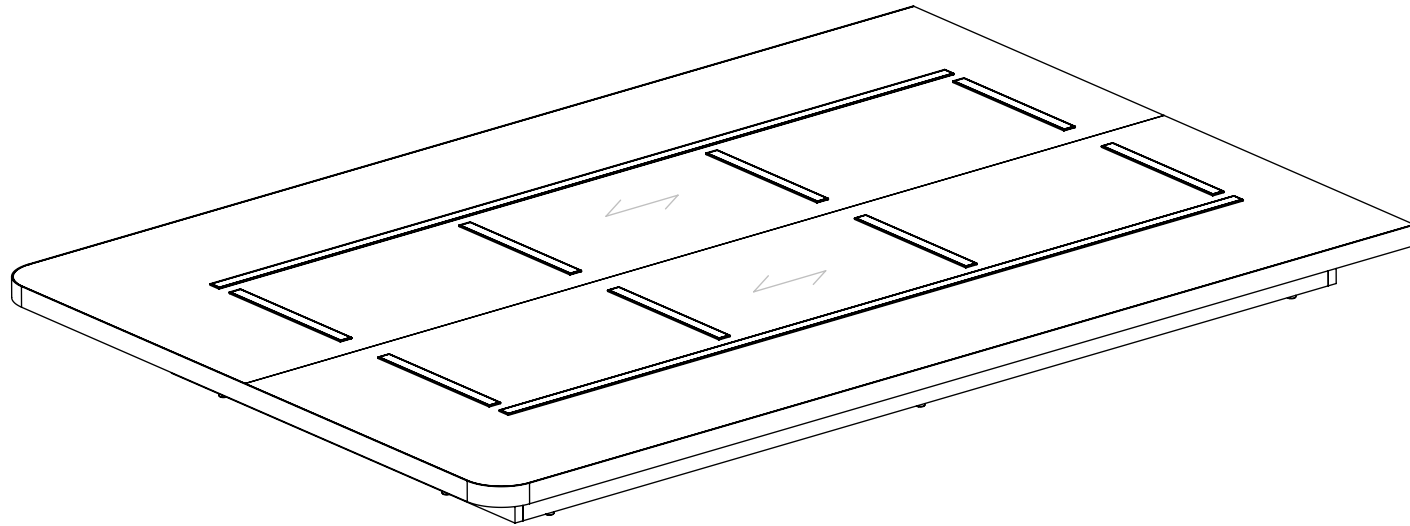




EXPECT
Furniture Manufacture



Overall:
54"W x 80"D x 7"H

MATERIALS:
 - HP-Laminate PB-3/4"
 - 2mm Edge Tape On Top
 - White Oak Molding Support
 - Bottom Plastic Nail Glide
 - Anti-Slip Tape

COMMENTS:
 - Overall: 54"W x 80"D x 7"H
 - Color: Wilsonart - 8213K-18 - Phantom Cocoa
 - Note: Dimensional Tolerance +/- 1/16"

TITLE: AHB 8240XX 4ABB - 8240CRS - ADA Full Bed Base
REVISION DATE: 4/1/2022

NOTE: DESIGN AND DRAWINGS ARE PROPERTY OF DICKSON FURNITURE MANUFACTURERS LLC AND MAY NOT BE DUPLICATED OR REPRODUCED WITHOUT THE EXPRESS WRITTEN CONSENT OF DICKSON FURNITURE MANUFACTURERS LLC

QUANTITY
00

REV
A

DIMENSIONS
ARE IN
INCHES

SCALE: 1:13

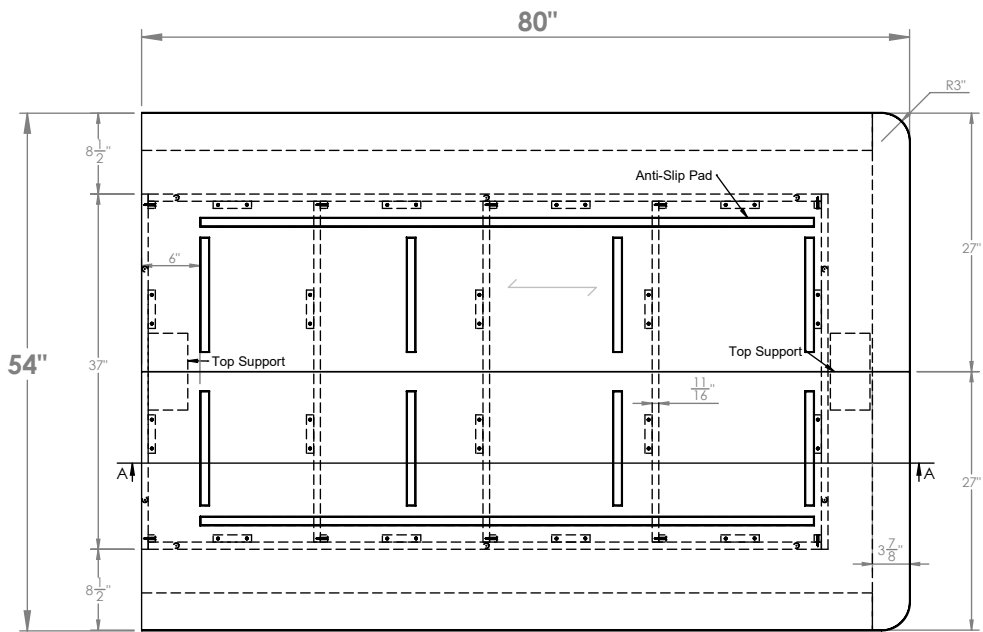
SHEET 1 OF 5

1

2

A

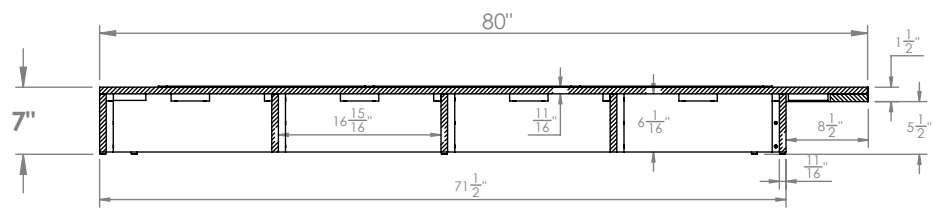
A



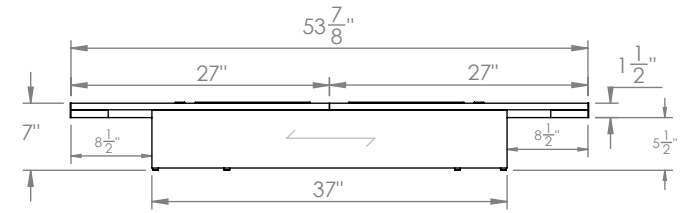
TOP VIEW

B

B



SECTION A-A



FRONT VIEW

MATERIALS:

- HP-Laminate PB-3/4"
- 2mm Edge Tape On Top
- White Oak Molding Support
- Bottom Plastic Nail Glide
- Anti-Slip Tape

COMMENTS:

- Overall: 54"W x 80"D x 7"H
- Color: Wilsonart - 8213K-18 - Phantom Cocoa
- Note: Dimensional Tolerance +/- 1/16"

TITLE: AHB 8240XX 4ABB - 8240CRS - ADA Full Bed Base

REVISION DATE: 4/1/2022

NOTE: DESIGN AND DRAWINGS ARE PROPERTY OF DICKSON FURNITURE MANUFACTURERS LLC AND MAY NOT BE DUPLICATED OR REPRODUCED WITHOUT THE EXPRESS WRITTEN CONSENT OF DICKSON FURNITURE MANUFACTURERS LLC

QUANTITY	00
REV	A
DIMENSIONS ARE IN INCHES	SCALE: 1:18
	SHEET 2 OF 5

1

2



IMPORTANT INFORMATION

- AHB 8240XX 4ABB - 8240CRS - ADA Full Bed Base -



Lift parts with at least 2 people

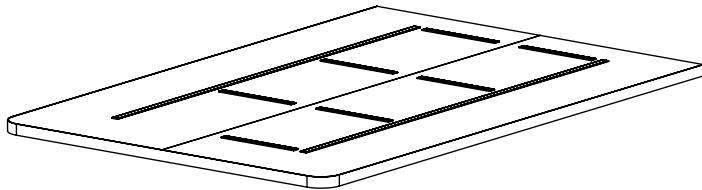
+RECOMMENDATIONS:

- Read instructions before installing
- Keep area clean
- Do not drag the parts
- Do not forget to wear PPE

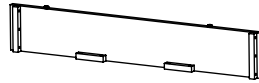
+PERSONAL PROTECTION EQUIPMENT (PPE)

- Hand Protection
- Eye Protection
- Waist Support Belt

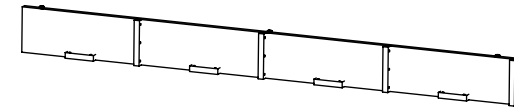
Parts:



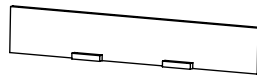
Top Panels



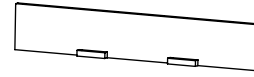
Front Panel



Side Panels (2)



Center Panels (3)



Back Panel

+Tools:



Measuring Tape



Pencil



Electric screwdriver

+Hardware:



Screw

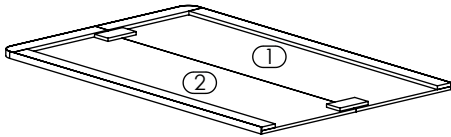
STEP #1

ASSEMBLY INSTRUCTIONS

- AHB 8240XX 4ABB - 8240CRS - ADA Full Bed Base -

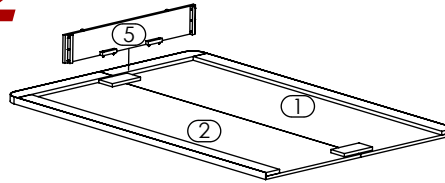
Note: For best results, bed should be built starting with the top side face down.

1



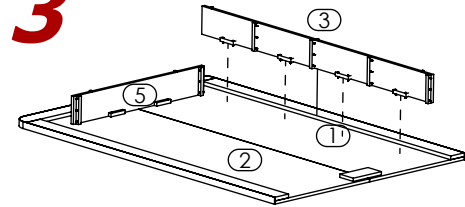
Top Panels (1) (2) upside down on Floor.

2



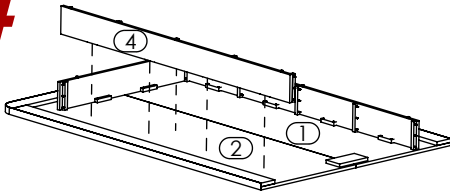
Place Front Panel (5) on Top Panels (1) (2).

3



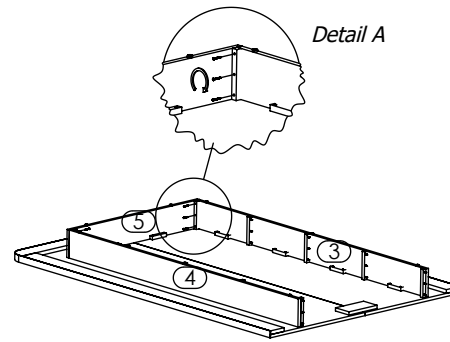
Place Side Panel Right (3) on Top Panels (1) (2).

4



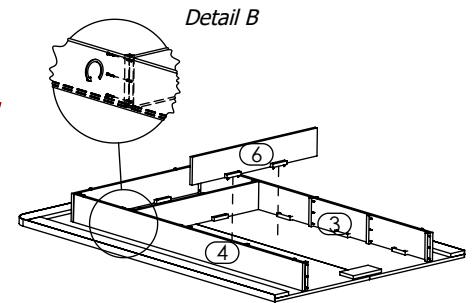
Place Side Panel Left (4) on Top Panel (1) (2).

5



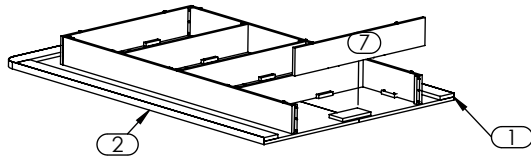
Align and attach Front Panel (5) to Side Panel Right (3) then Panel Left (4). (Reference Detail A).

6



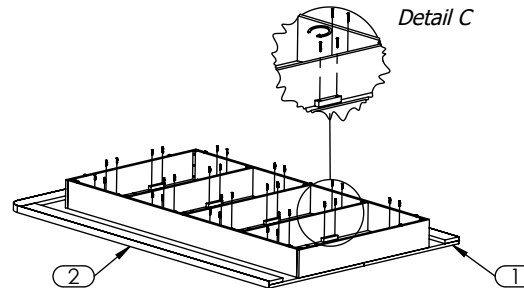
Insert Center Panels (6), align & attach to Side Panels (3)(4). (Reference Detail B).

7



Align Flush the Back Face of Back Panel (7) and Top Panels (1) (2).

8



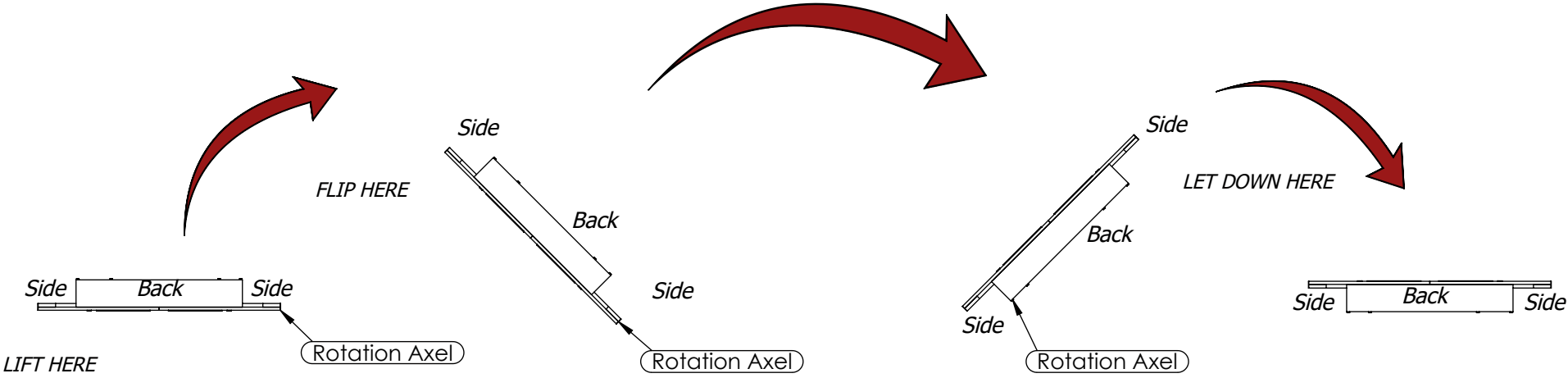
Align assembled Bed Base to taped guides on Top Panel (1) and attach them. (Reference Detail C).

STEP #2

ASSEMBLY INSTRUCTIONS

- AHB 8240XX 4ABB - 8240CRS - ADA Full Bed Base -

Note: To flip this bed, please use at least 2 people.



Flip Upright

