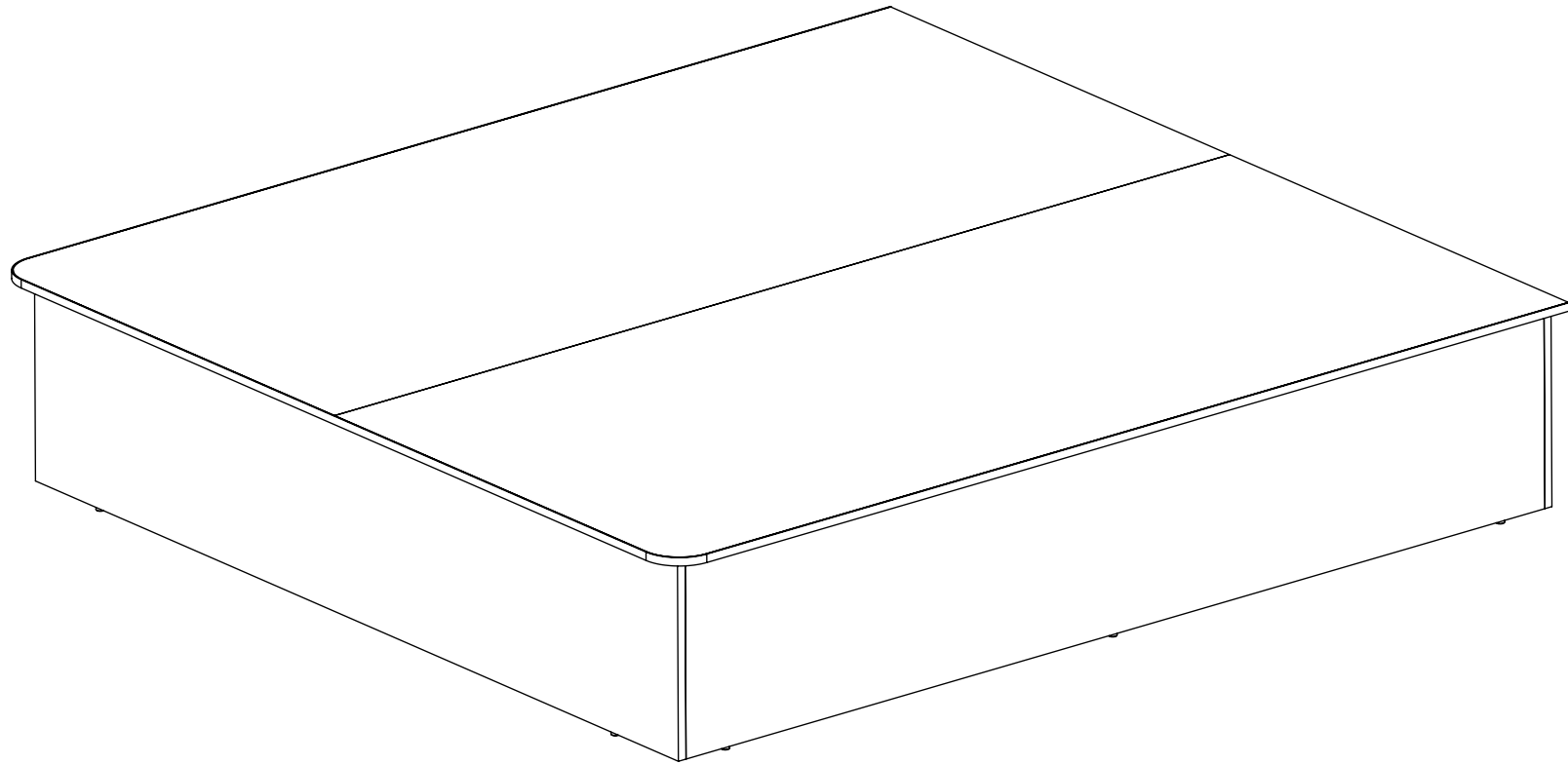




EXPECT
Furniture Manufacture



Overall:
75"W x 80"D x 16"H

MATERIALS:
 - HP-Laminate PLY-5/8" Side Panels
 - Plywood 5/8" Top Panel
 - T-Mold Edge On Top
 - Nail Glide On Bottom
 - Wood Framing Support

COMMENTS:
 - Overall: 75"W x 80"D x 16"H
 - Color: Wilsonart - 0000 - Custom Laminate
 - Note: Dimensional Tolerance +/- 1/16"

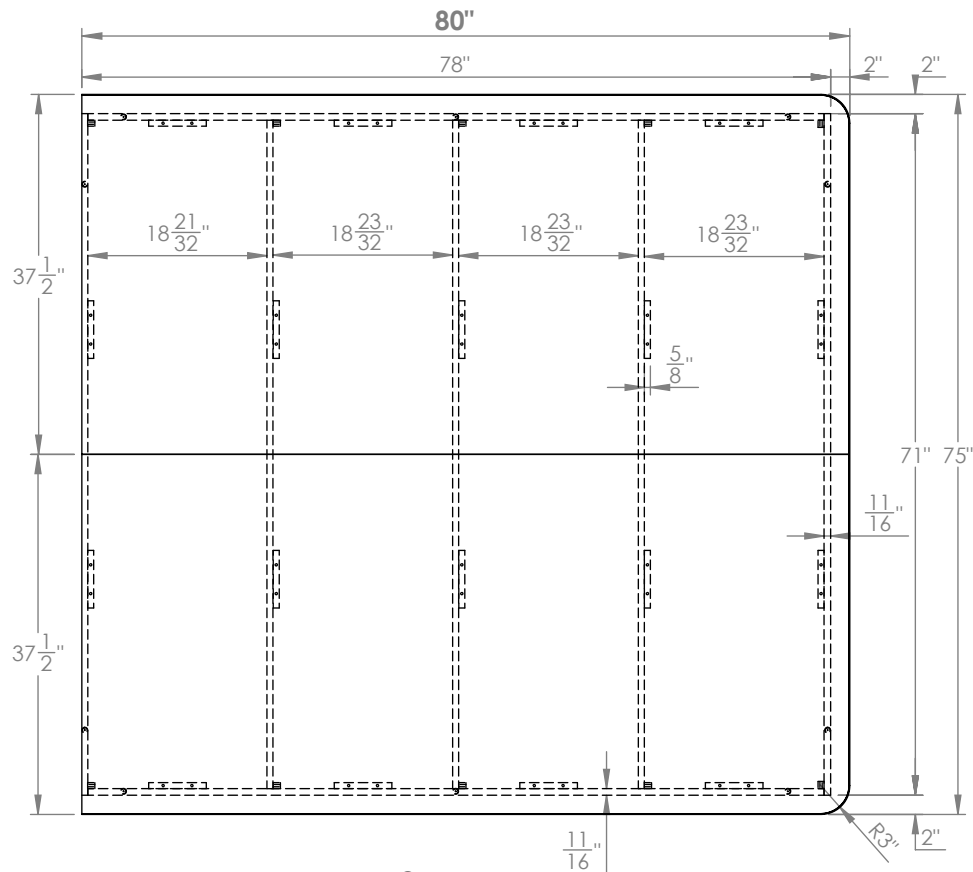
TITLE: AHF 0100XX 6BB - 100Sable - King Bed Base 2" Lip
REVISION DATE: 4/1/2022

NOTE: DESIGN AND DRAWINGS ARE PROPERTY OF DICKSON FURNITURE MANUFACTURERS LLC AND MAY NOT BE DUPLICATED OR REPRODUCED WITHOUT THE EXPRESS WRITTEN CONSENT OF DICKSON FURNITURE MANUFACTURERS LLC

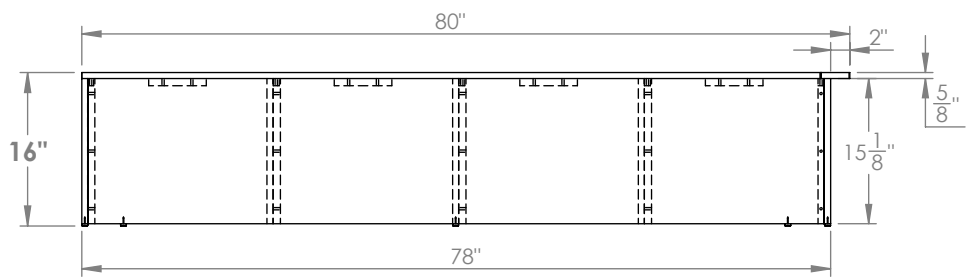
QUANTITY	00
REV	A
DIMENSIONS ARE IN INCHES	SCALE: 1:13 SHEET 1 OF 5

1

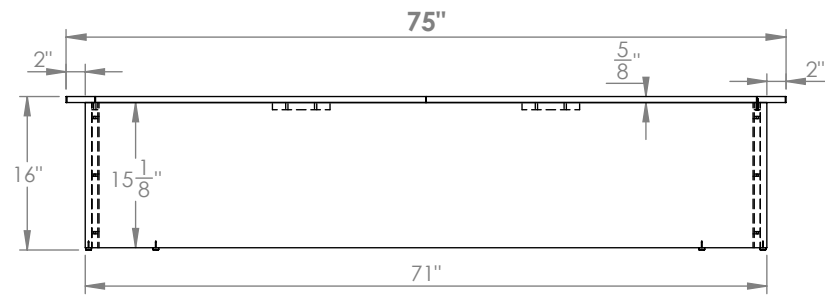
2



TOP VIEW



FRONT ELEVATION



SIDE VIEW

- MATERIALS:
- HP-Laminate PLY-5/8" Side Panels
 - Plywood 5/8" Top Panel
 - T-Mold Edge On Top
 - Nail Glide On Bottom
 - Wood Framing Support

- COMMENTS:
- Overall: 75"W x 80"D x 16"H
 - Color: Wilsonart - 0000 - Custom Laminate
 - Note: Dimensional Tolerance +/- 1/16"

TITLE: AHF 0100XX 6BB - 100Sable - King Bed Base 2" Lip
 REVISION DATE: 4/1/2022

NOTE: DESIGN AND DRAWINGS ARE PROPERTY OF DICKSON FURNITURE MANUFACTURERS LLC AND MAY NOT BE DUPLICATED OR REPRODUCED WITHOUT THE EXPRESS WRITTEN CONSENT OF DICKSON FURNITURE MANUFACTURERS LLC

QUANTITY	00
REV	A
DIMENSIONS ARE IN INCHES	

SCALE: 1:20
 SHEET 2 OF 5

1

2

A

A

B

B



IMPORTANT INFORMATION

- AHF 0100XX 6BB - 100Sable - King Bed Base 2" Lip -



Lift parts with at least 2 people

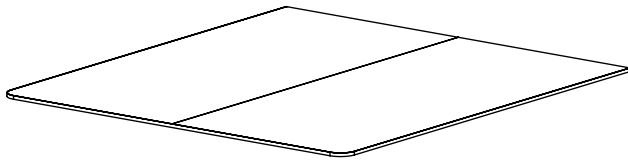
+RECOMMENDATIONS:

- Read instructions before installing
- Keep area clean
- Do not drag the parts
- Do not forget to wear PPE

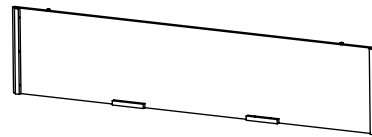
+PERSONAL PROTECTION EQUIPMENT (PPE)

- Hand Protection
- Eye Protection
- Waist Support Belt

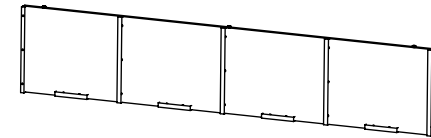
Parts:



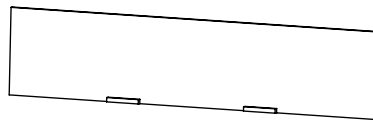
Top Panels



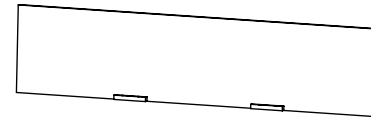
Front Panel



Side Panels (2)



Center Panels (3)



Back Panel

+Tools:



Measuring Tape



Pencil



Electric screwdriver

+Hardware:



Screw

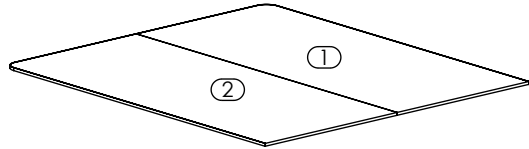
STEP #1

ASSEMBLY INSTRUCTIONS

- AHF 0100XX 6BB - 100Sable - King Bed Base 2" Lip -

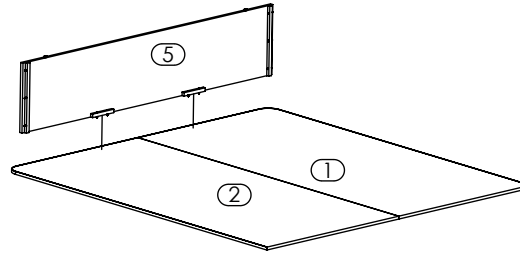
Note: For best results, bed should be built starting with the top side face down.

1



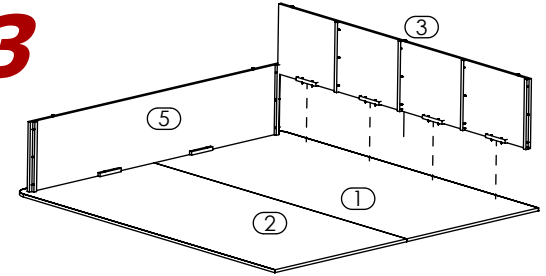
Top Panels (1) (2) upside down on Floor.

2



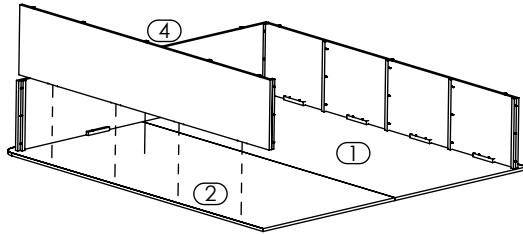
Place Front Panel (5) on Top Panels (1) (2).

3



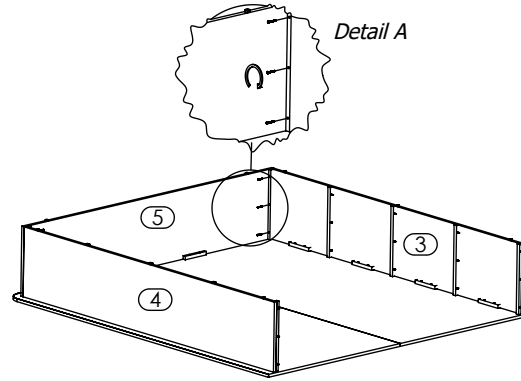
Place Side Panel Right (3) on Top Panels (1) (2).

4



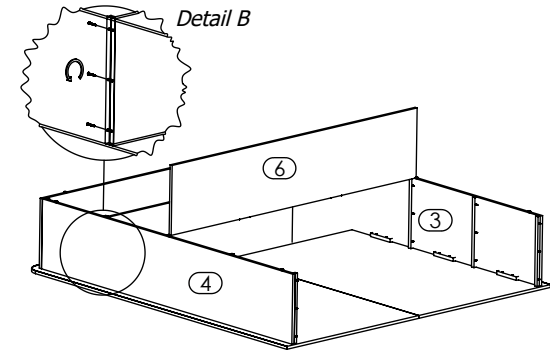
Place Side Panel Left (4) on Top Panel (1) (2).

5



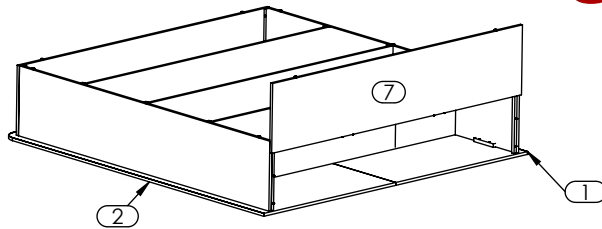
Align and attach Front Panel (5) to Side Panel Right (3) then Panel Left (4). (Reference Detail A).

6



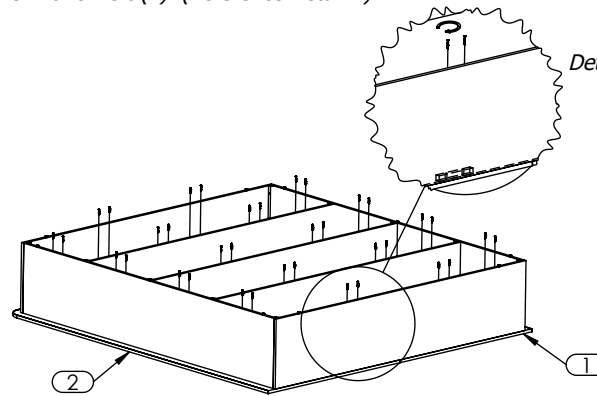
Insert Center Panels (6), align & attach to Side Panels (3)(4). (Reference Detail B).

7



Align Flush the Back Face of Back Panel (7) and Top Panels (1) (2).

8



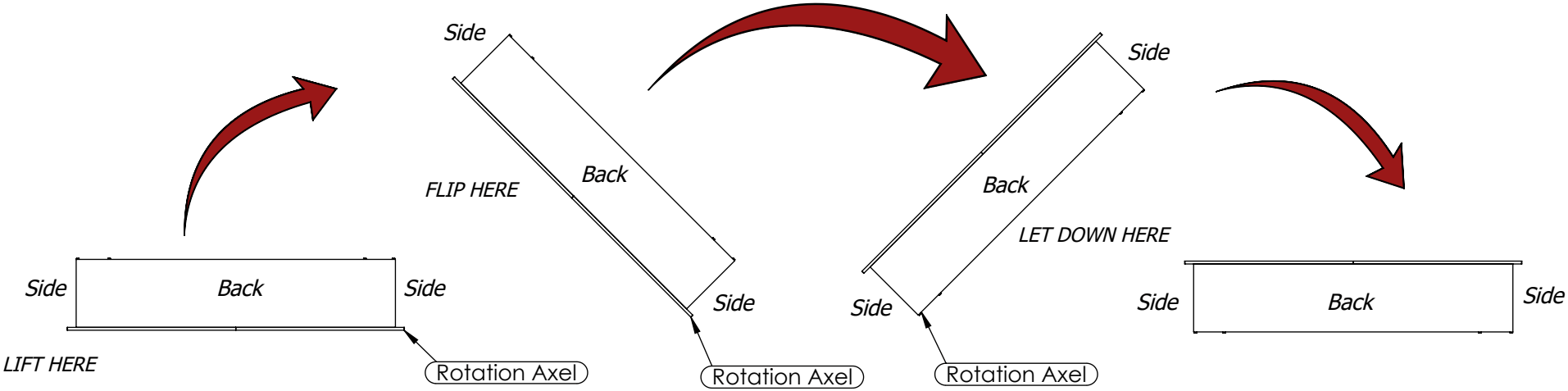
Align assembled Bed Base to taped guides on Top Panel (1) and attach them. (Reference Detail C).

STEP #2

ASSEMBLY INSTRUCTIONS

- AHF 0100XX 6BB - 100Sable - King Bed Base 2" Lip -

Note: To flip this bed, please use at least 2 people.



Flip Upright

