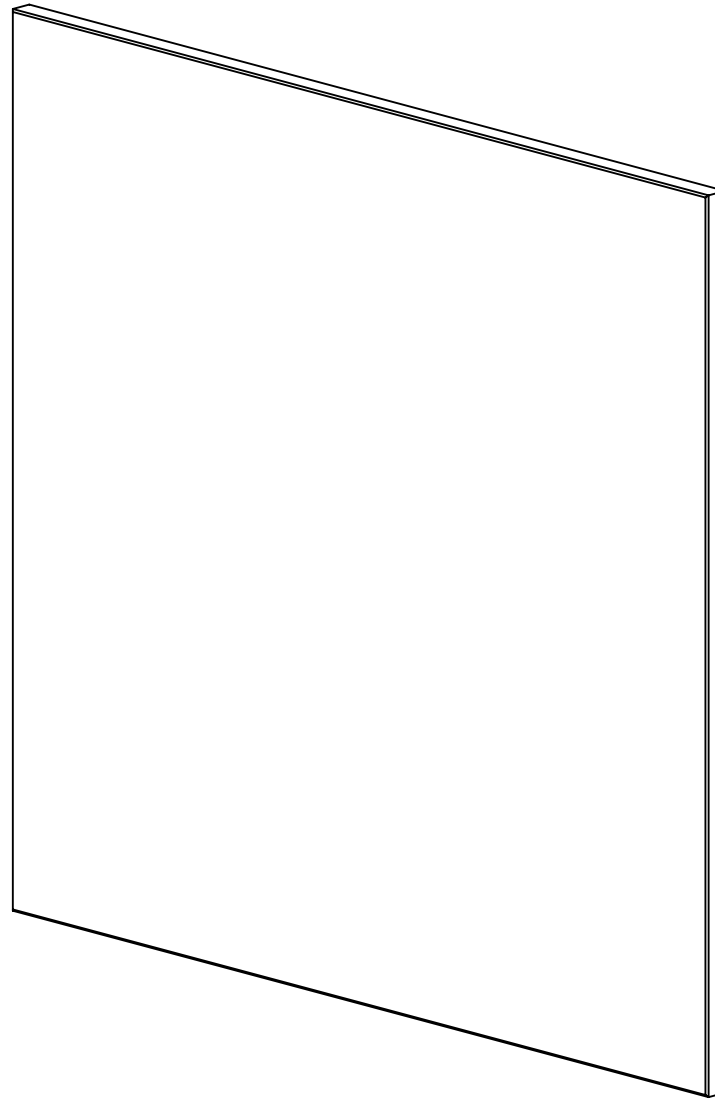


1

2



EXPECT
Furniture Manufacture



OVERALL:
41"D x 1 1/16"W x 39"H

MATERIALS:
- HP-Laminate PB-1"
- 3MM Edge Tape
- Wall Hanger Plate

COMMENTS:
- Overall: 41"W x 1 1/16"D x 39"H
- Color: Wilsonart - Cocobala - 7942
- Note:

TITLE: AHO 8120CCB SIGN - 8120Red Roof - Standard Sign
REVISION DATE: 4/7/2022

NOTE: DESIGN AND DRAWINGS ARE PROPERTY OF DICKSON FURNITURE MANUFACTURERS LLC AND MAY NOT BE DUPLICATED OR REPRODUCED WITHOUT THE EXPRESS WRITTEN CONSENT OF DICKSON FURNITURE MANUFACTURERS LLC

QUANTITY
00

REV
A

DIMENSIONS
ARE IN
INCHES

SCALE: 1:8

SHEET 1 OF 4

1

2

A

A

B

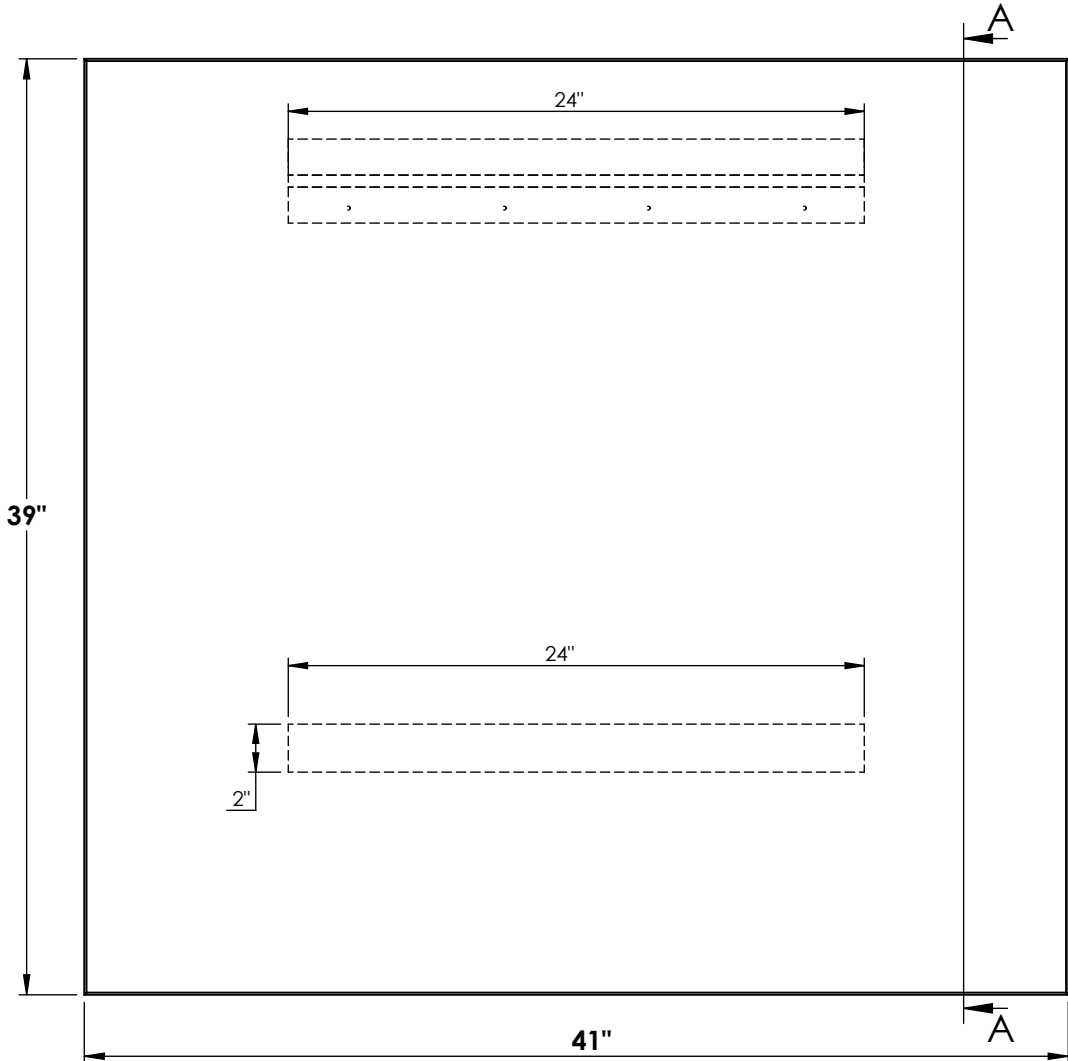
B

1

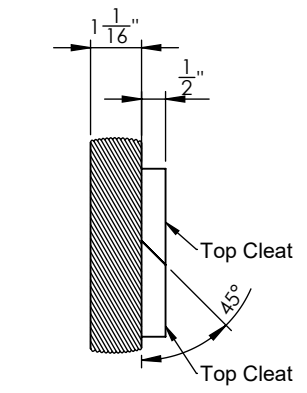
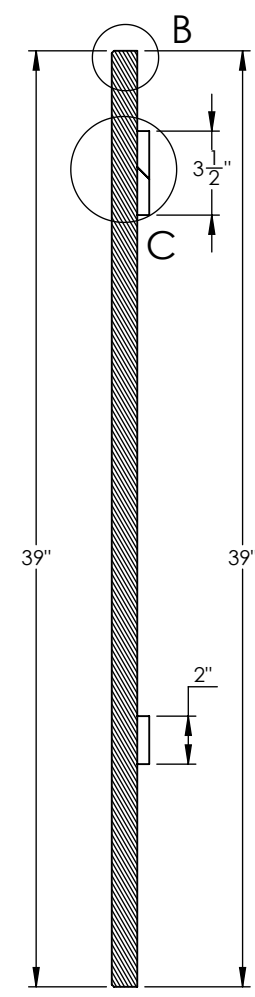
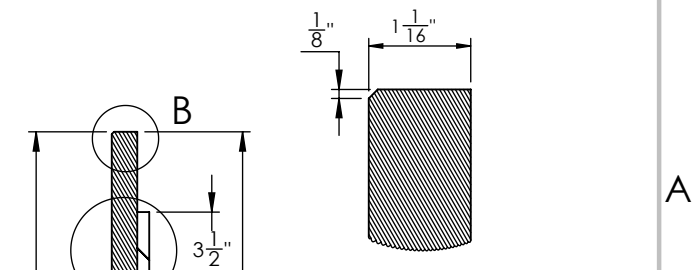
2



A



B



A

B

MATERIALS:
 - HP-Laminate PB-1"
 - 3MM Edge Tape
 - Wall Hanger Plate

COMMENTS:
 - Overall: 41"W x 1 1/16"D x 39"H
 - Color: Wilsonart - Cocobala - 7942
 - Note:

TITLE: AHO 8120CCB SIGN - 8120Red Roof - Standard Sign
REVISION DATE: 4/7/2022

NOTE: DESIGN AND DRAWINGS ARE PROPERTY OF DICKSON FURNITURE MANUFACTURERS LLC AND MAY NOT BE DUPLICATED OR REPRODUCED WITHOUT THE EXPRESS WRITTEN CONSENT OF DICKSON FURNITURE MANUFACTURERS LLC

| | |
|--------------------------|----------------------------|
| QUANTITY | 00 |
| REV | A |
| DIMENSIONS ARE IN INCHES | SCALE: 1:8 SHEET 2 OF 4 |

1

2



IMPORTANT INFORMATION

-8120Red Roof - Standard Sign-



Lift parts with at least 2 people

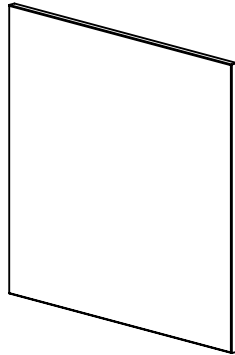
***RECOMMENDATIONS:**

- Read instructions before assembling
- Keep area clean
- Do not drag the parts
- Do not forget to wear PPE

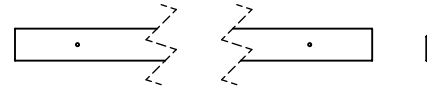
***PERSONAL PROTECTION EQUIPMENT (PPE)**

- Hand Protection
- Eye Protection
- Waist Support Belt

PARTS:



Full Headboard



Cleat

***Tools:**



Water level



Measuring Tape



Pencil



Drill

***Hardware:**



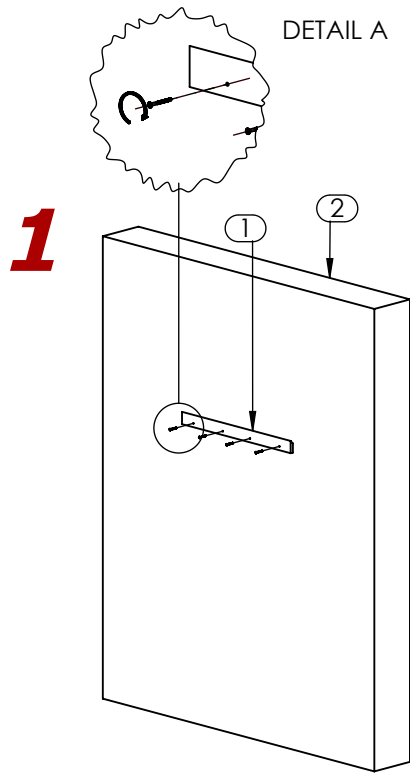
Screw

STEP #1

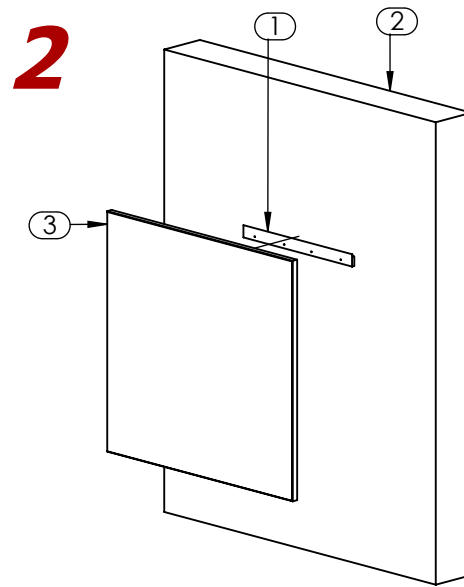
INSTALLATION INSTRUCTIONS

Note: Assembly can be done with 2 people.

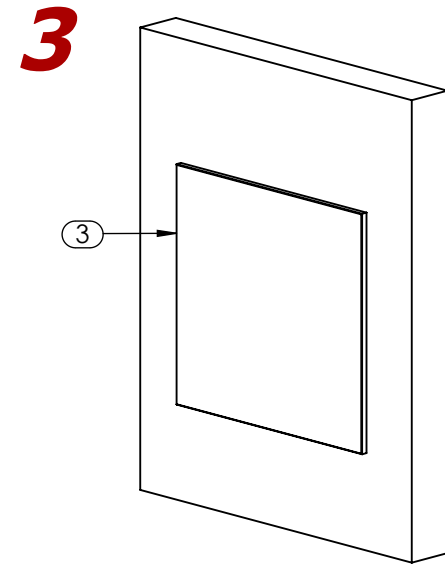
-8120Red Roof - Standard Sign-



Level Cleat (1) on Wall (2) to attach them. Screws go into studs (Detail A).



Lift Standard Sign (3) higher than Cleat (1) and slowly slide it down until it holds on Wall (2).



Standard Sign (3) completely assembled.