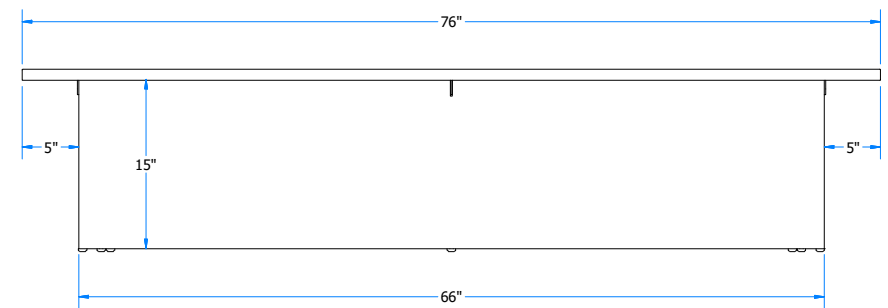
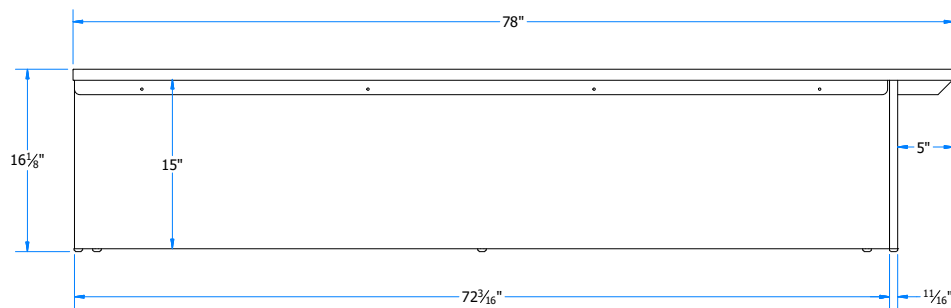
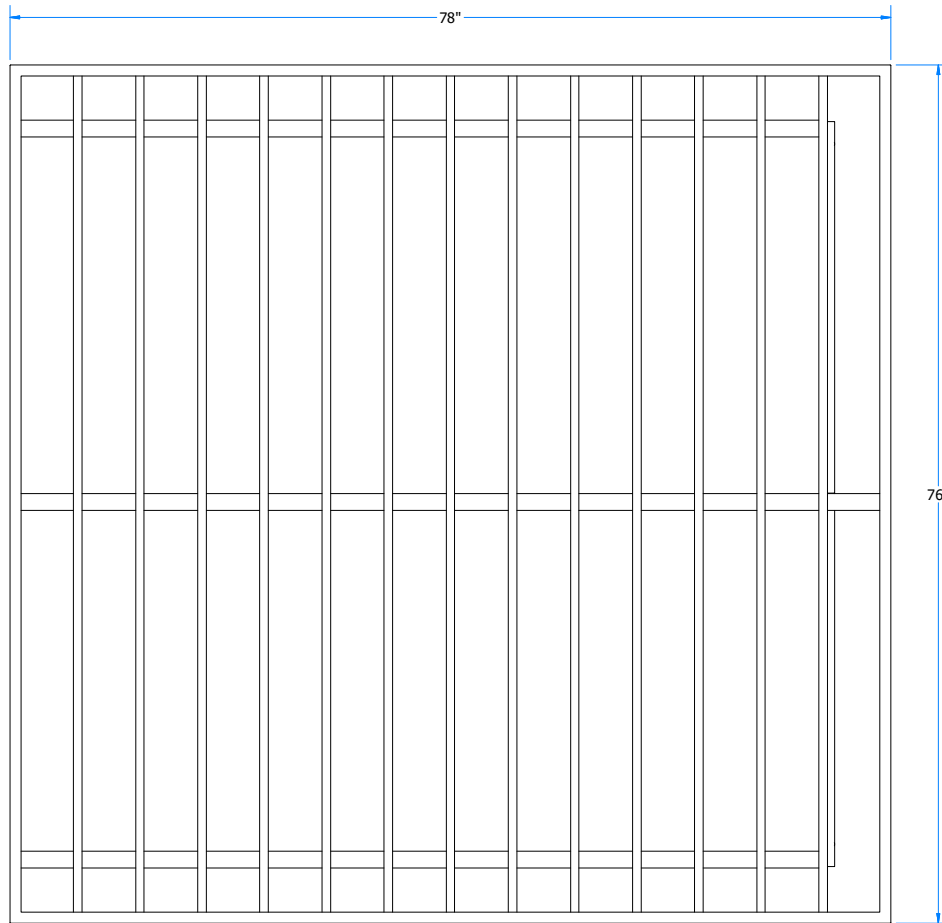


Overall:
00"W x 00"D x 00"H

<p>MATERIALS:</p> <ul style="list-style-type: none"> - HP-Laminate PB-5/8" - Metal Bed Frame - Metal Support Bracket - Plastic Nail Glide - - 	<p>COMMENTS:</p> <ul style="list-style-type: none"> - Overall: 76"W x 78"D x 16 1/8"H - Color: Wilsonart - 0000 - Custom Laminate Black Color - Powder Coated Paint - Note: 	<p>SIZE</p> <p style="font-size: 2em; font-weight: bold; text-align: center;">A</p>	<p>DWG. NO.</p> <p style="text-align: center; font-weight: bold;">AHB 8100XX 6BB - 8100R.Roof - King Bed Base.dwg</p> <p>Revision Date:</p> <p style="text-align: center; font-weight: bold;">10/13/2017</p>	<p>Note: Design and Drawings are Property of Dickson Furniture Manufacturers LLC and may not be duplicated or reproduced without the express written consent of Dickson Furniture Manufacturers LLC</p>	<p>Quantity:</p> <p style="font-size: 1.5em; font-weight: bold;">01</p> <p>Sheet:</p> <p>1 of 5</p>
--	--	--	--	--	---



MATERIALS:
 - HP-Laminate PB-5/8"
 - Metal Bed Frame
 - Metal Support Bracket
 - Plastic Nail Glide
 -

COMMENTS:
 - **Overall:** 76"W x 78"D x 16 1/8"H
 - **Color:** Wilsonart - 0000 - Custom Laminate
 Black Color - Powder Coated Paint
 - **Note:**

SIZE
A

DWG. NO.

AHB 8100XX 6BB - 8100R.Roof - King Bed Base.dwg

Quantity:

01

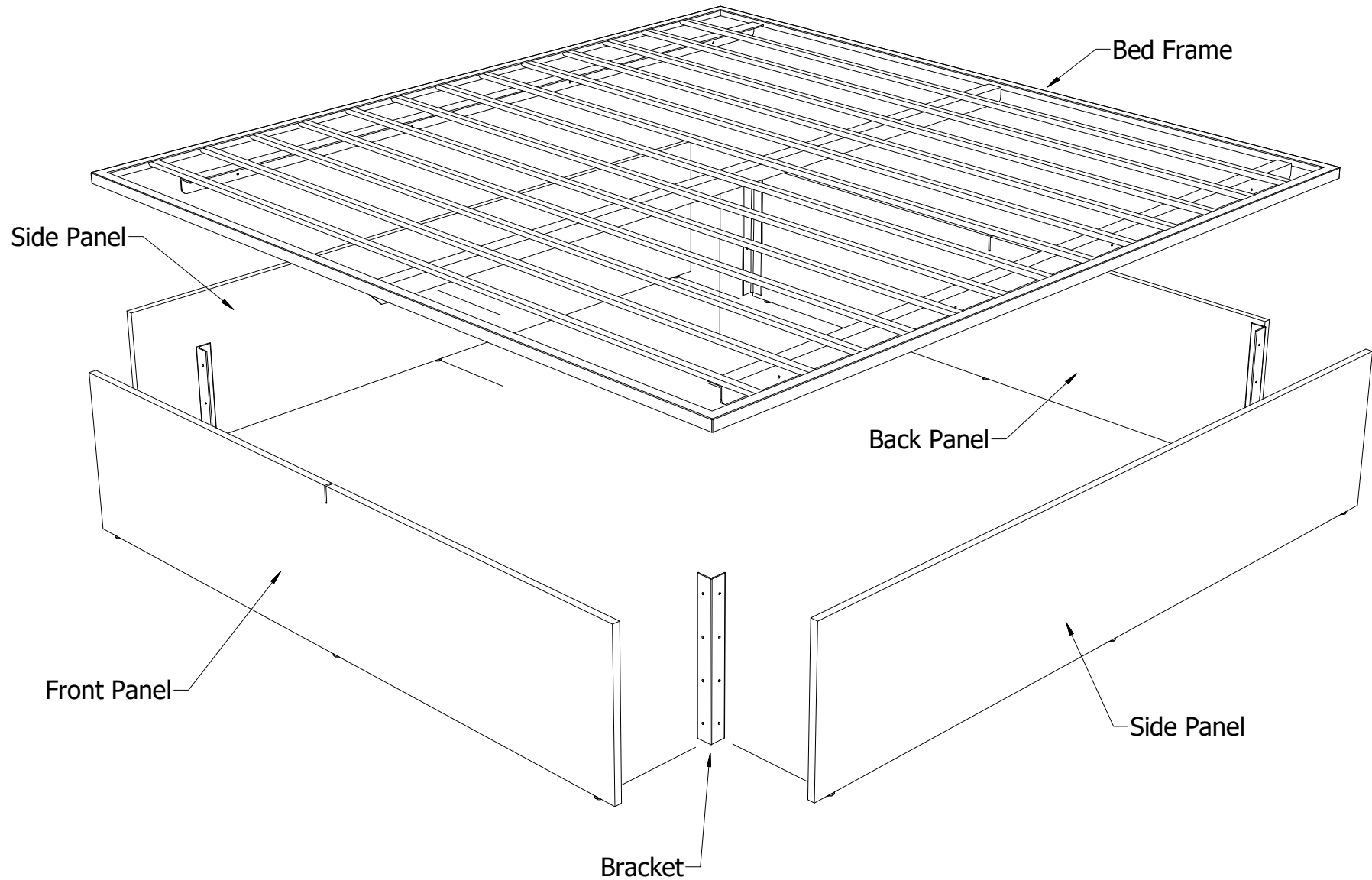
Revision Date:

10/13/2017

Note: Design and Drawings are Property of Dickson Furniture Manufacturers LLC and may not be duplicated or reproduced without the express written consent of Dickson Furniture Manufacturers LLC

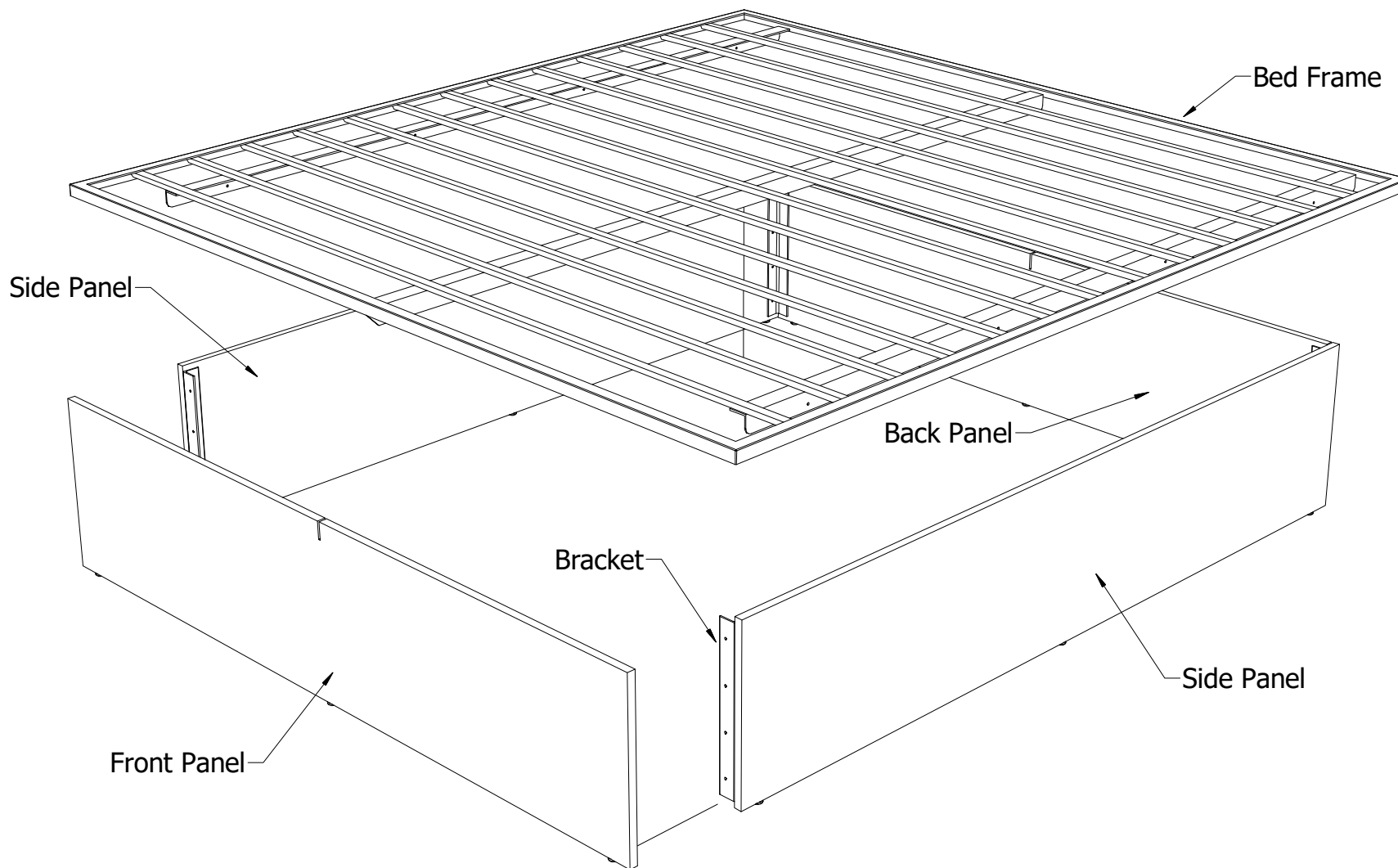
Sheet:
 2 of 5

Assembly Instructions : Step 1



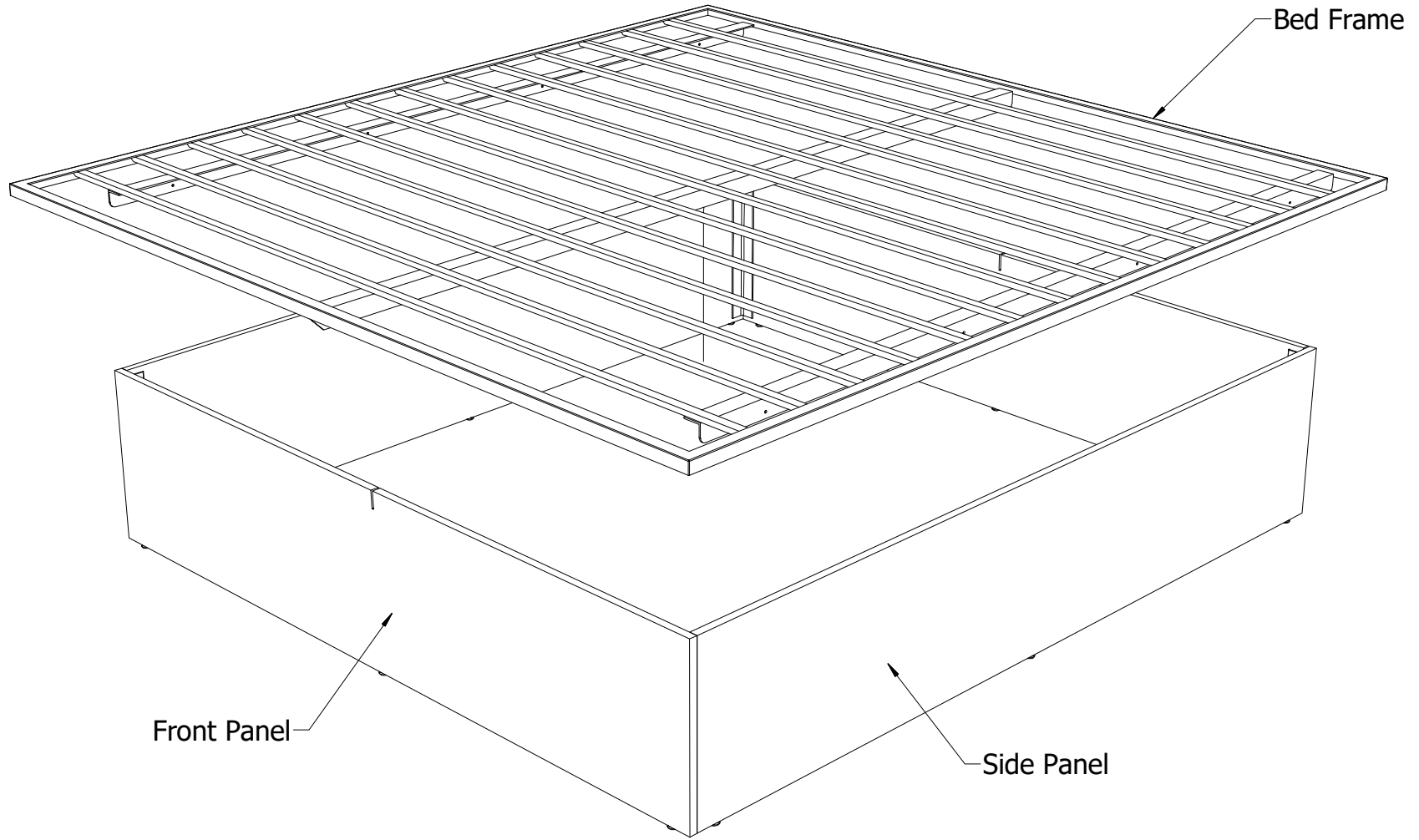
<p>MATERIALS:</p> <ul style="list-style-type: none"> - HP-Laminate PB-5/8" - Metal Bed Frame - Metal Support Bracket - Plastic Nail Glide - - 	<p>COMMENTS:</p> <ul style="list-style-type: none"> - Overall: 76"W x 78"D x 16 1/8"H - Color: Wilsonart - 0000 - Custom Laminate Black Color - Powder Coated Paint - Note: 	<p>SIZE</p> <p>A</p>	<p>DWG. NO.</p> <p>AHB 8100XX 6BB - 8100R.Roof - King Bed Base.dwg</p> <p>Revision Date:</p> <p>10/13/2017</p>	<p>Note: Design and Drawings are Property of Dickson Furniture Manufacturers LLC and may not be duplicated or reproduced without the express written consent of Dickson Furniture Manufacturers LLC</p>	<p>Quantity:</p> <p>00</p> <p>Sheet:</p> <p>3 of 5</p>
--	--	------------------------------------	---	--	---

Assembly Instructions : Step 2



<p>MATERIALS:</p> <ul style="list-style-type: none"> - HP-Laminate PB-5/8" - Metal Bed Frame - Metal Support Bracket - Plastic Nail Glide - - 	<p>COMMENTS:</p> <ul style="list-style-type: none"> - Overall: 76"W x 78"D x 16 1/8"H - Color: Wilsonart - 0000 - Custom Laminate Black Color - Powder Coated Paint - Note: 	<p>SIZE</p> <p style="font-size: 2em; font-weight: bold; text-align: center;">A</p>	<p>DWG. NO.</p> <p style="text-align: center; font-weight: bold;">AHB 8100XX 6BB - 8100R.Roof - King Bed Base.dwg</p> <p>Revision Date:</p> <p style="text-align: center; font-weight: bold;">10/13/2017</p>	<p>Note: Design and Drawings are Property of Expect Furniture Manufacturers LLC and may not be duplicated or reproduced without the express written consent of Expect Furniture Manufacturers LLC</p>	<p>Quantity:</p> <p style="font-size: 2em; font-weight: bold; text-align: center;">00</p> <p>Sheet:</p> <p style="text-align: center;">4 of 5</p>
--	--	--	--	--	---

Assembly Instructions : Step 3



MATERIALS:
 - HP-Laminate PB-5/8"
 - Metal Bed Frame
 - Metal Support Bracket
 - Plastic Nail Glide
 -

COMMENTS:
 - Overall: 76"W x 78"D x 16 1/8"H
 - Color: Wilsonart - 0000 - Custom Laminate
 Black Color - Powder Coated Paint
 - Note:

SIZE
A

DWG. NO.

AHB 8100XX 6BB - 8100R.Roof - King Bed Base.dwg

Quantity:

00

Revision Date:

10/13/2017

Note: Design and Drawings are Property of Dickson Furniture Manufacturers LLC and may not be duplicated or reproduced without the express written consent of Dickson Furniture Manufacturers LLC

Sheet:
 5 of 5