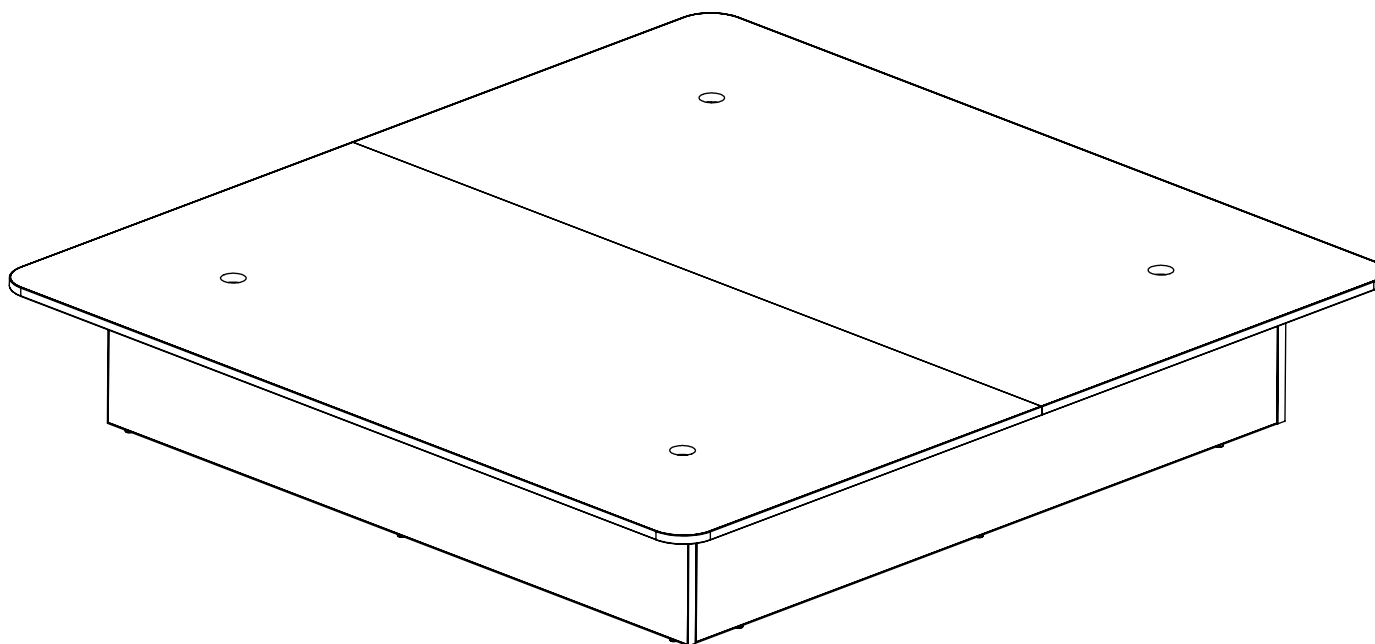




EXPECT
Furniture Manufacture



Overall:
76"W x 79 1/2"L x 12 3/4"H

MATERIALS:
- HPL PB-3/4" Panels
- T-Mold Edge Band
-
-

COMMENTS:
- Overall: 76"W x 79 1/2"L x 12 3/4"H
- Color: Wilsonart - 0000 - Custom Laminate
- Note:

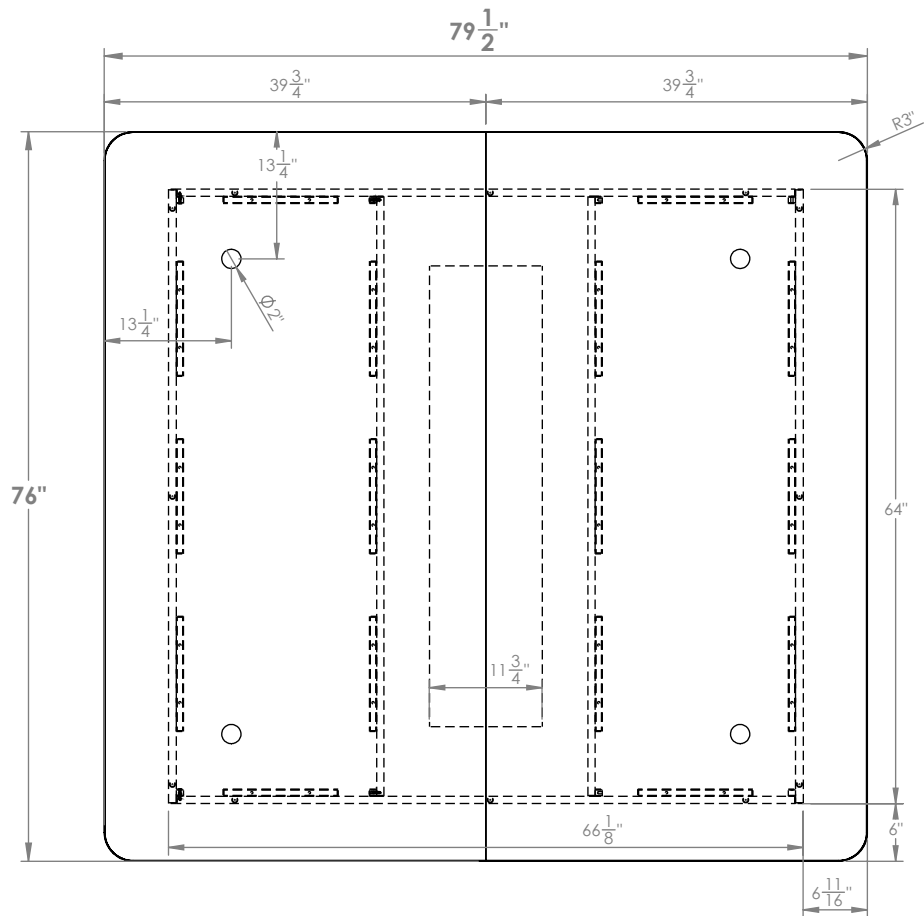
TITLE: AHB 8230XX 6BB - 8230Super8 - King Bed Base

REVISION DATE:

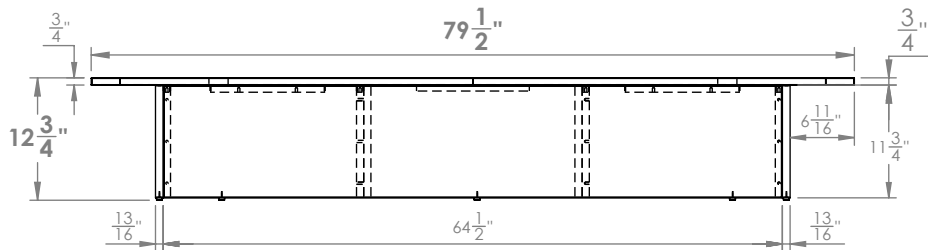
NOTE: DESIGN AND DRAWINGS ARE PROPERTY OF DICKSON FURNITURE MANUFACTURERS LLC AND MAY NOT BE DUPLICATED OR REPRODUCED WITHOUT THE EXPRESS WRITTEN CONSENT OF DICKSON FURNITURE MANUFACTURERS LLC

REV
A
DIMENSIONS
ARE IN
INCHES

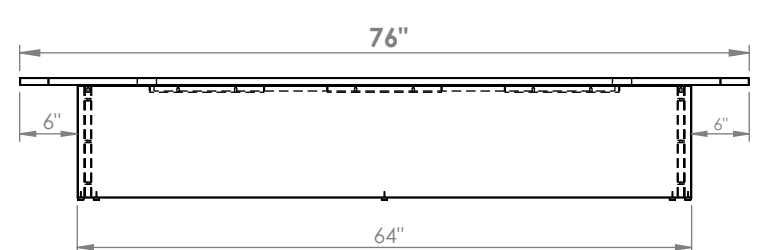
SCALE: 1:15
SHEET 1 OF 4



TOP VIEW



SIDE VIEW



FRONT ELEVATION

MATERIALS:
 - HPL PB-3/4" Panels
 - T-Mold Edge Band

COMMENTS:
 - Overall: 76"W x 79 1/2"L x 12 3/4"H
 - Color: Wilsonart - 0000 - Custom Laminate
 - Note:

TITLE: AHB 8230XX 6BB - 8230Super8 - King Bed Base

REVISION DATE:

NOTE: DESIGN AND DRAWINGS ARE PROPERTY OF DICKSON FURNITURE MANUFACTURERS LLC AND MAY NOT BE DUPLICATED OR REPRODUCED WITHOUT THE EXPRESS WRITTEN CONSENT OF DICKSON FURNITURE MANUFACTURERS LLC

REV
A
 DIMENSIONS
 ARE IN
 INCHES

SCALE: 1:20
 SHEET 2 OF 4

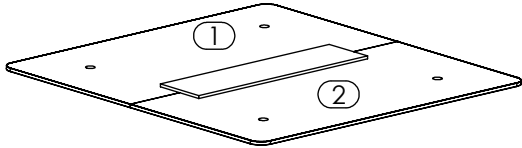
STEP #1

ASSEMBLY INSTRUCTIONS

- AHF 8230XX 6BB - 8230Super - King Bed Base -

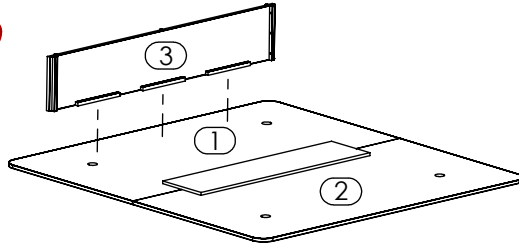
Note: For best results, bed should be built starting with the top sides down. (1 and 2 face down)

1



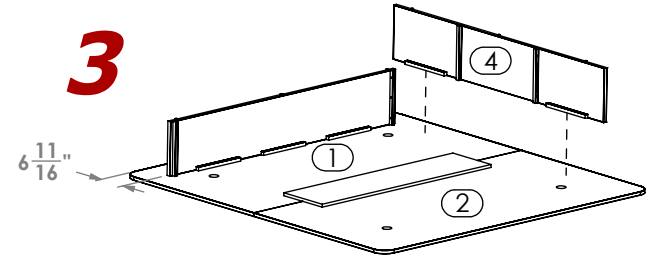
Align Top Panels (1) (2) upside down on Floor.

2



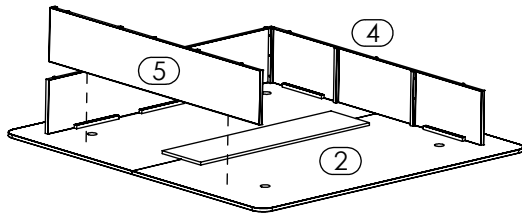
Place Front Panel (3) 6-11/16 in apart from the front of Top Panel (1).

3



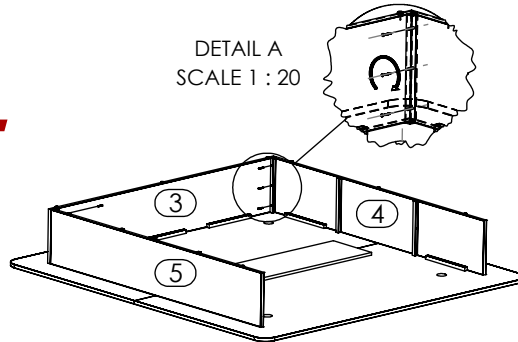
Place Side Panel Right (4) on Top Panels (1) (2).

4



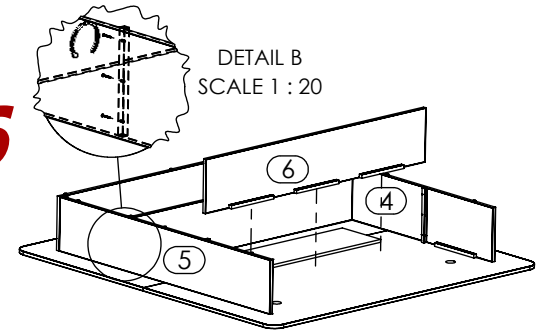
Place Side Panel Left (5) on Top Panels (1) (2).

5



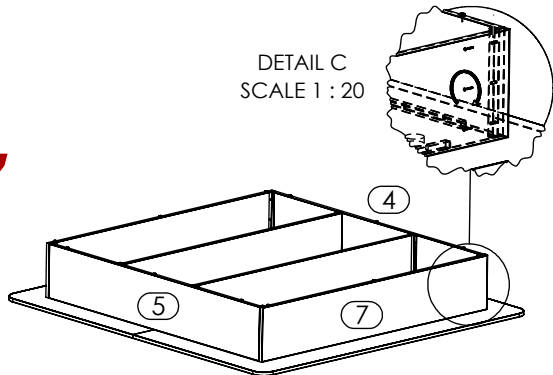
Align and attach Front Panel (3) to Side Panel Right (4) then Panel Left (5). (Reference Detail A).

6



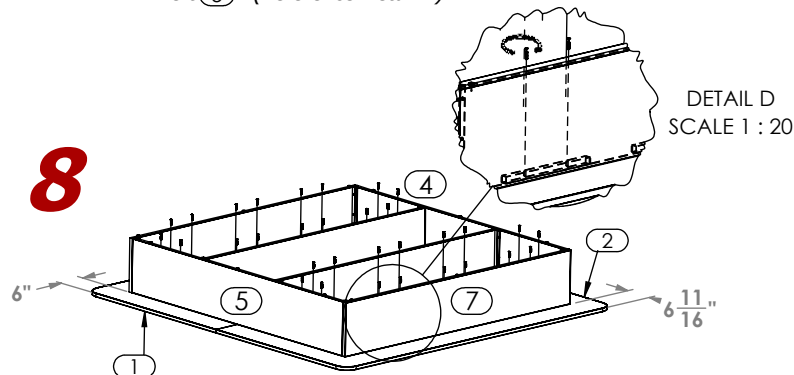
Insert Center Panels (6), align & attach to Side Panels (4) (5). (Reference Detail B).

7



Align Back Panel (7) Flush the outside faces of Side Panels (4) (5) & attach. (Reference Detail B).

8



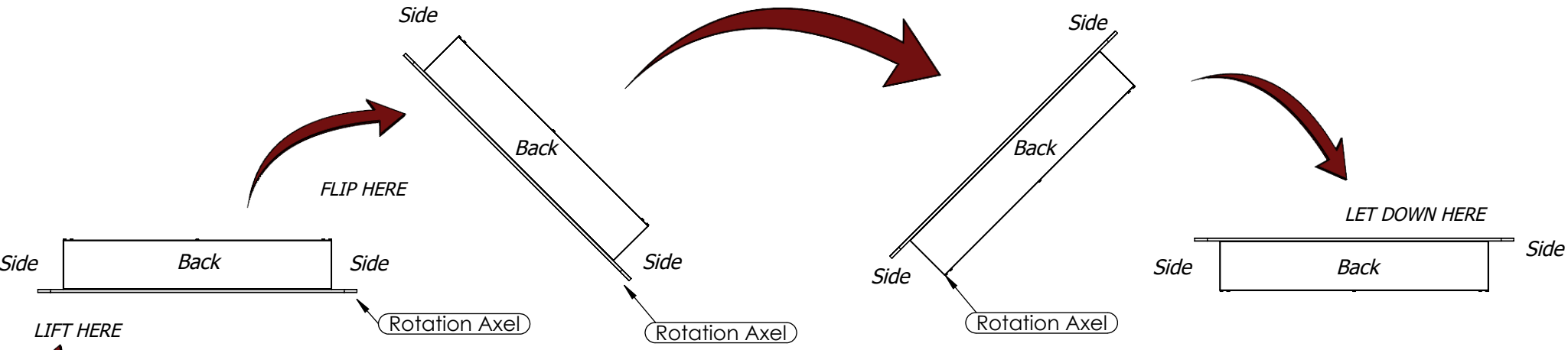
Align assembled Bed Base to taped guides on Top Panel (2) and attach them. (Reference Detail D).

STEP #2

Note: To flip this bed, please use at least 2 people.

ASSEMBLY INSTRUCTIONS

- AHF 8230XX 6BB - 8230Super - King Bed Base -



Flip Upright

