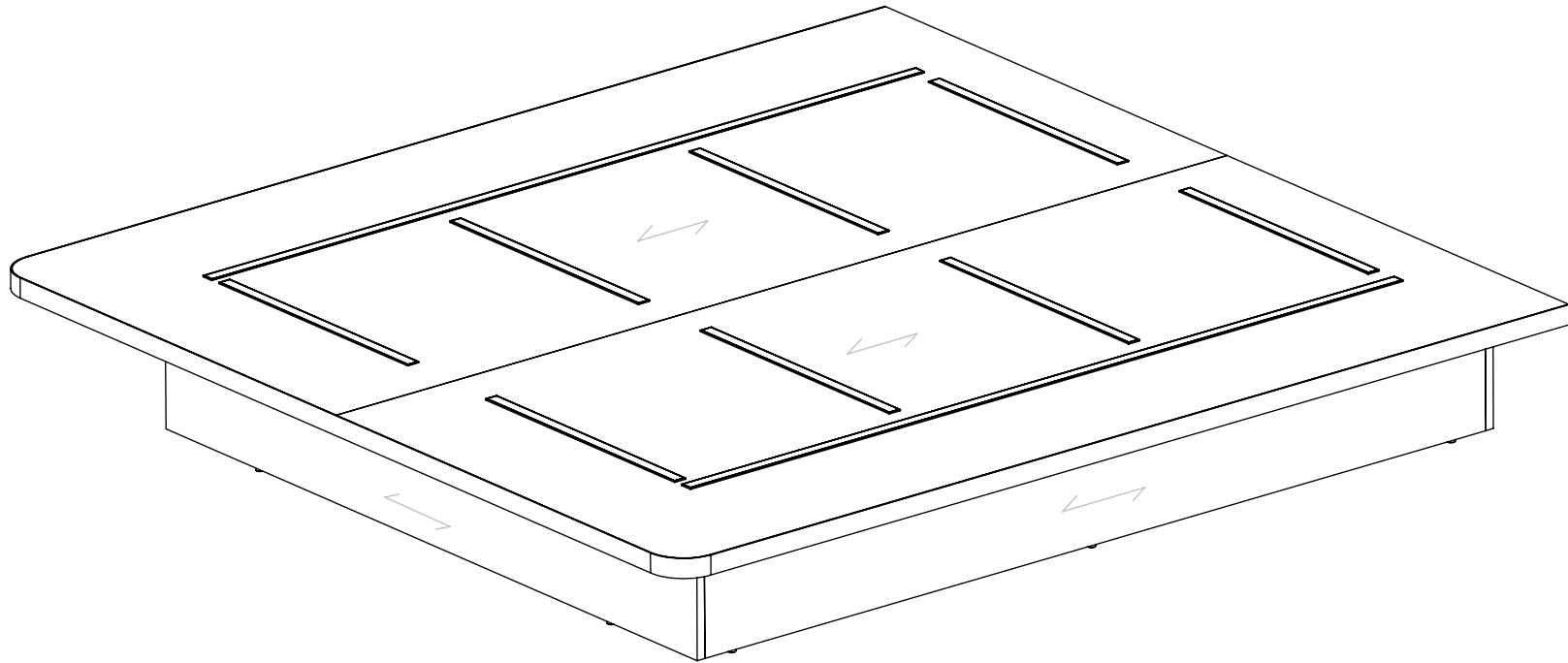




EXPECT
Furniture Manufacture



Overall:
76"W x 80"D x 12"H

MATERIALS:
- HP-Laminate PB-3/4"
- 2mm Edge Tape On Top
- White Oak Molding Support
- Bottom Plastic Nail Glide
- Anti-Slip Tape

COMMENTS:
- Overall: 76"W x 80"D x 12"H
- Color: Wilsonart - 8213K-18 - Phantom Cocoa
- Note: Dimensional Tolerance +/- 1/16"

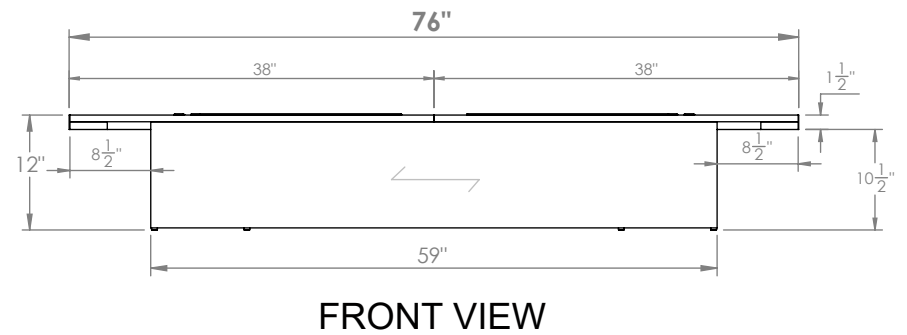
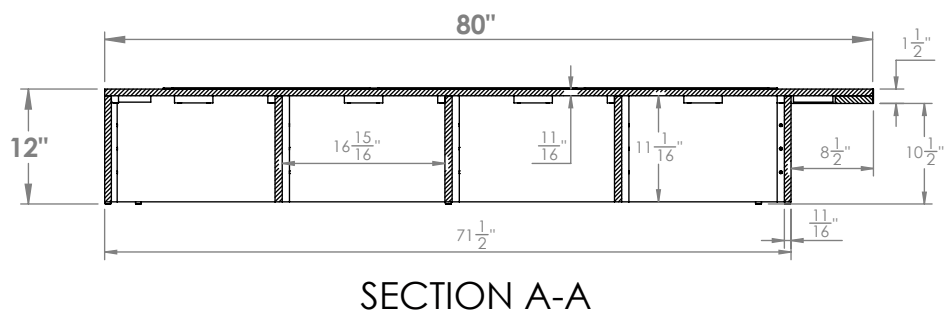
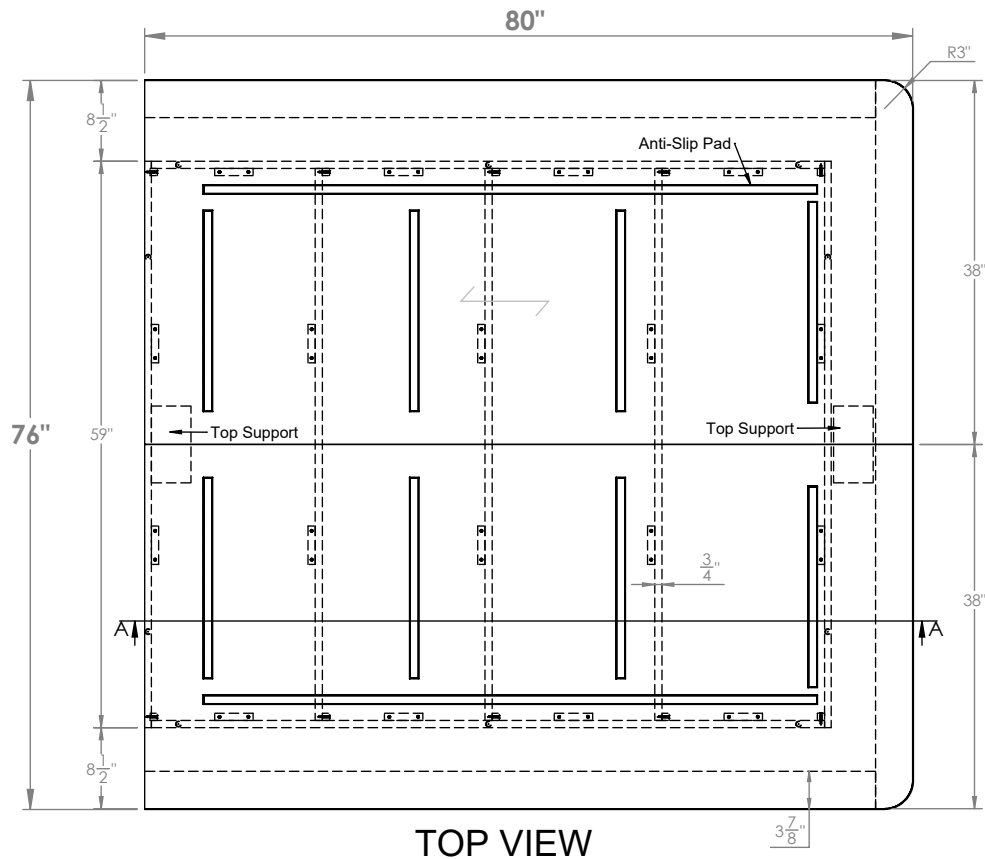
TITLE: X-202K AHB 8240XX 6BB - 8240CRS - King Bed Base
REVISION DATE: 6/7/2022

NOTE: DESIGN AND DRAWINGS ARE PROPERTY OF DICKSON FURNITURE MANUFACTURERS LLC AND MAY NOT BE DUPLICATED OR REPRODUCED WITHOUT THE EXPRESS WRITTEN CONSENT OF DICKSON FURNITURE MANUFACTURERS LLC

QUANTITY
00

REV
A
DIMENSIONS
ARE IN
INCHES

SCALE: 1:13
SHEET 1 OF 5



MATERIALS:

- HP-Laminate PB-3/4"
- 2mm Edge Tape On Top
- White Oak Molding Support
- Bottom Plastic Nail Glide
- Anti-Slip Tape

COMMENTS:

- Overall: 76"W x 80"D x 12"H
- Color: Wilsonart - 6213K-18 - Phantom Cocoa
- Note: Dimensional Tolerance +/- 1/16"

TITLE: X-202K AHB 8240XX 6BB - 8240CRS - King Bed Base

REVISION DATE: 6/7/2022

NOTE: DESIGN AND DRAWINGS ARE PROPERTY OF DICKSON FURNITURE MANUFACTURERS LLC AND MAY NOT BE DUPLICATED OR REPRODUCED WITHOUT THE EXPRESS WRITTEN CONSENT OF DICKSON FURNITURE MANUFACTURERS LLC

| | |
|--------------------------|----|
| QUANTITY | 00 |
| REV | A |
| DIMENSIONS ARE IN INCHES | |

SCALE: 1:18

SHEET 2 OF 5



IMPORTANT INFORMATION

- X-202K AHB 8240XX 6BB - 8240CRS - King Bed Base -



Lift parts with at least 2 people

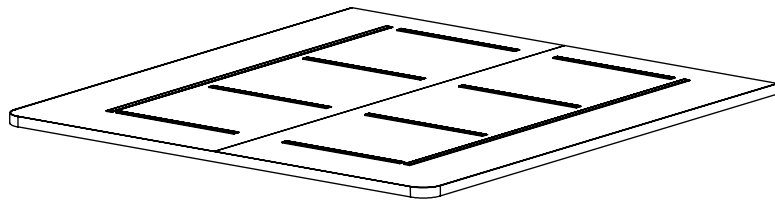
+RECOMMENDATIONS:

- Read instructions before installing
- Keep area clean
- Do not drag the parts
- Do not forget to wear PPE

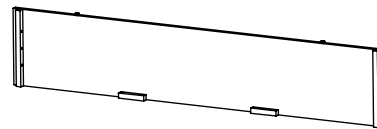
+PERSONAL PROTECTION EQUIPMENT (PPE)

- Hand Protection
- Eye Protection
- Waist Support Belt

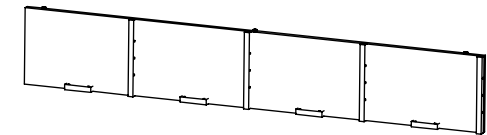
Parts:



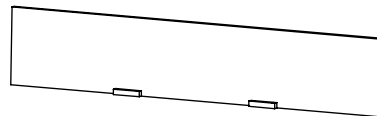
Top Panels



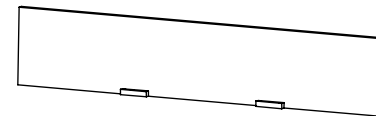
Front Panel



Side Panels (2)



Center Panels (3)



Back Panel

+Tools:



Measuring Tape



Pencil



Electric screwdriver

+Hardware:



Screw

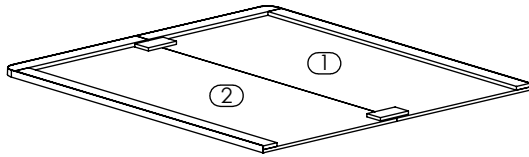
STEP #1

ASSEMBLY INSTRUCTIONS

- X-202K AHB 8240XX 6BB - 8240CRS - King Bed Base -

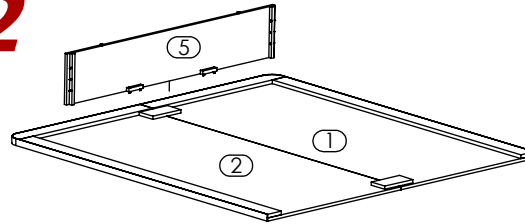
Note: For best results, bed should be built starting with the top side face down.

1



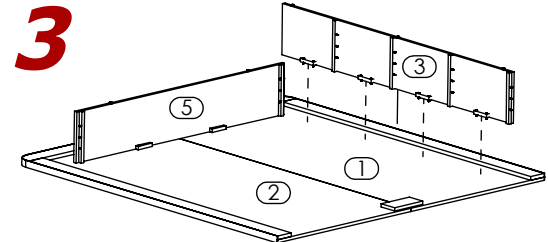
Place Top Panels ① ② upside down on Floor.

2



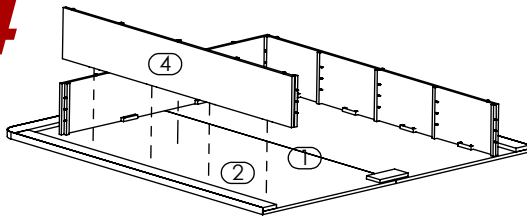
Place Front Panel ⑤ on Top Panels ① ②.

3



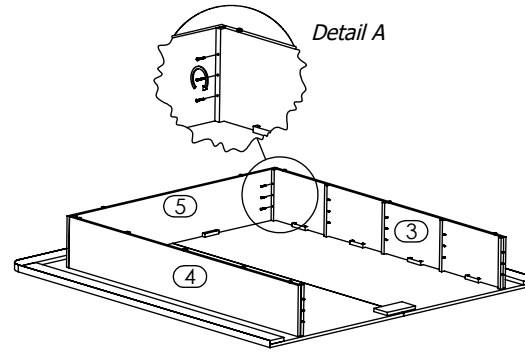
Place Side Panel Right ③ on Top Panels ① ②.

4



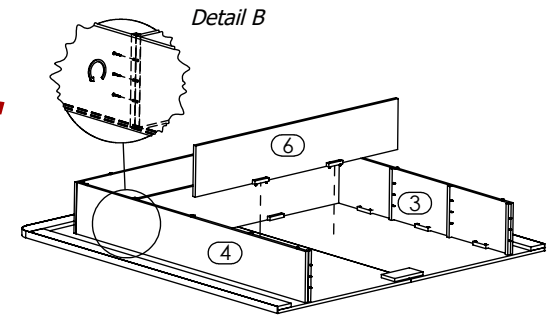
Place Side Panel Left ④ on Top Panel ① ②.

5



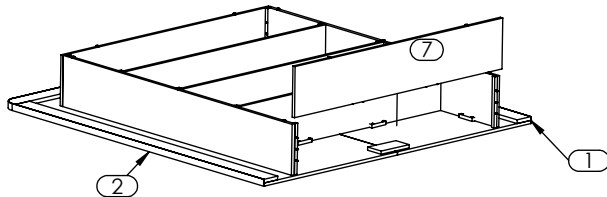
Align and attach Front Panel ⑤ to Side Panel Right ③ then Panel Left ④. (Reference Detail A).

6



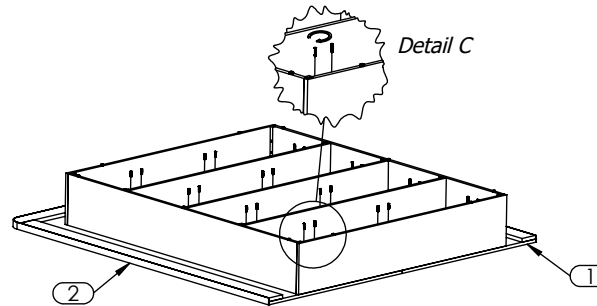
Insert Center Panels ⑥, align & attach to Side Panels ③ ④. (Reference Detail B).

7



Align Flush the Back Face of Back Panel ⑦ and Top Panels ① ②.

8



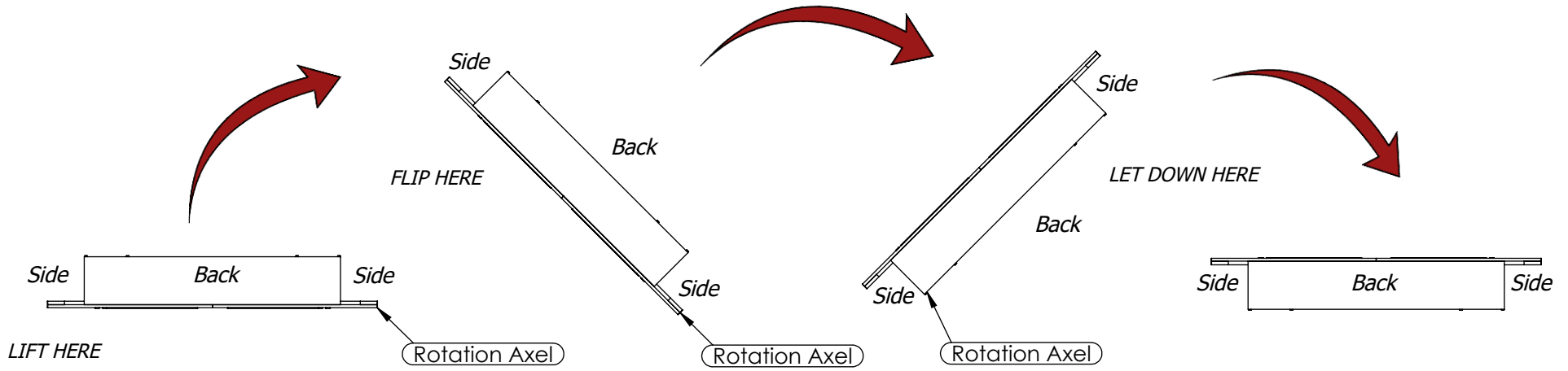
Align assembled Bed Base to taped guides on Top Panel ① and attach them. (Reference Detail C).

STEP #2

ASSEMBLY INSTRUCTIONS

- X-202K AHB 8240XX 6BB - 8240CRS - King Bed Base -

Note: To flip this bed, please use at least 2 people.



Flip Upright

