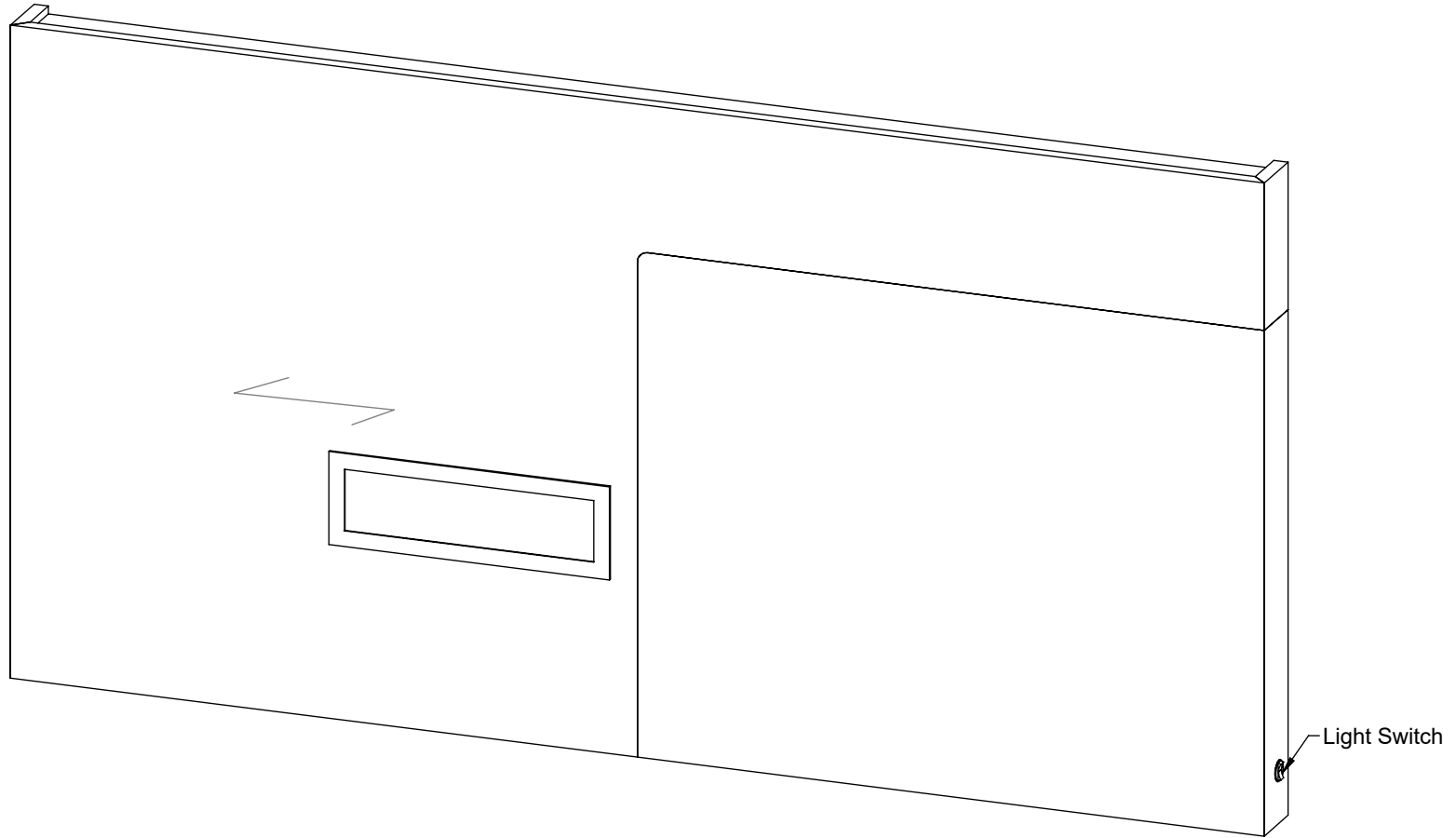
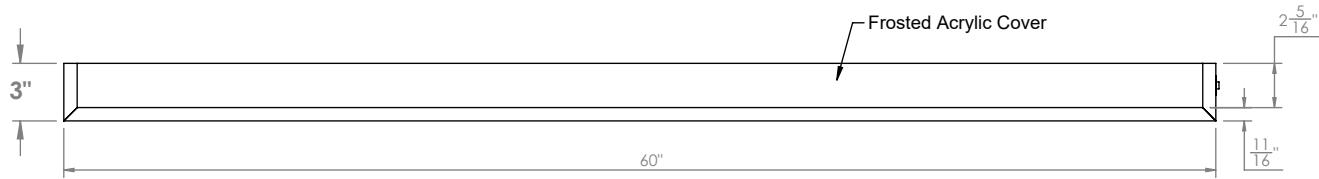


X-270/X-272

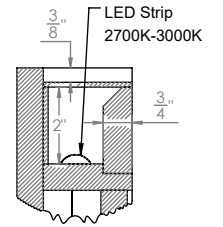


Overall:
60"W x 3"D x 31"H

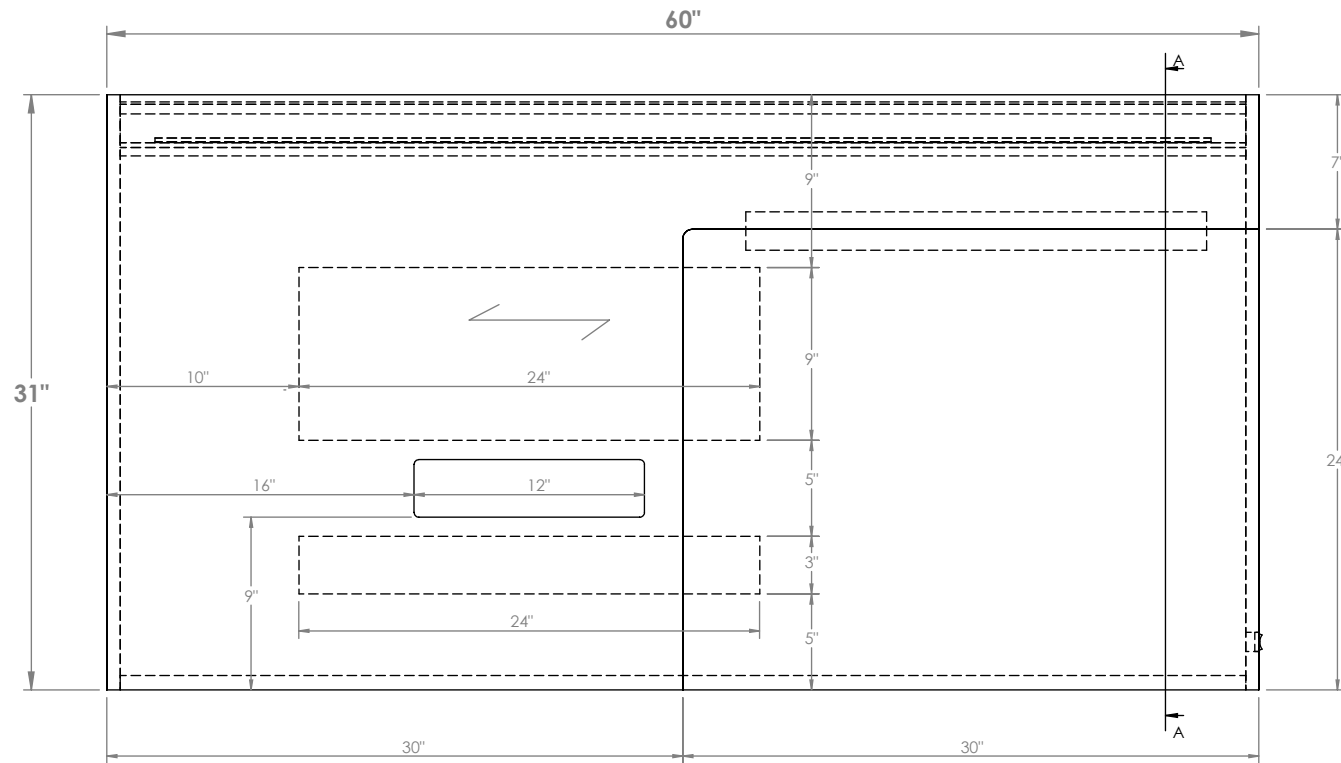
<p>MATERIALS:</p> <ul style="list-style-type: none">- HP-Laminate PB-5/8"- 0.018 Edge Tape- Plywood 1/2" Wall Cleat- Frosted Acrylic Cover- LED Strip 2700K-3000K--	<p>COMMENTS:</p> <ul style="list-style-type: none">- Overall: 60"W x 3"D x 31"H- Color: Wilsonart - 8213K-18 - Phantom Cocoa D427K-01Solicor Linen (High Gloss)- Note: Dimensional Tolerance +/- 1/16"	<p>TITLE: AHB 8240XX TVP60R - 8240CRS - 60" TV Panel R-Accent</p> <p>REVISION DATE:</p>	
<p>NOTE: DESIGN AND DRAWINGS ARE PROPERTY OF DICKSON FURNITURE MANUFACTURERS LLC AND MAY NOT BE DUPLICATED OR REPRODUCED WITHOUT THE EXPRESS WRITTEN CONSENT OF DICKSON FURNITURE MANUFACTURERS LLC</p>			<p>REV A DIMENSIONS ARE IN INCHES</p> <p>SCALE: 1:8 SHEET 1 OF 4</p>



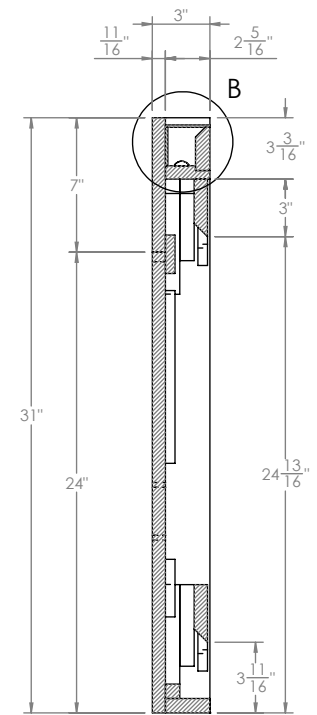
TOP VIEW



**DETAIL B
SCALE 1 : 5**



FRONT VIEW



SECTION A-A

MATERIALS:
 - HP-Laminate PB-5/8"
 - 0.018 Edge Tape
 - Plywood 1/2" Wall Cleat
 - Frosted Acrylic Cover
 - LED Strip 2700K-3000K
 -

COMMENTS:
 - Overall: 60"W x 3"D x 31"H
 - Color: Wilsonart - 8213K-18 - Phantom Cocoa
 D427K-01Solicolor Linen (High Gloss)
 - Note: Dimensional Tolerance +/- .1/16"

TITLE: AHB 8240XX TVP60R - 8240CRS - 60" TV Panel R-Accent

REVISION DATE:

NOTE: DESIGN AND DRAWINGS ARE PROPERTY OF DICKSON FURNITURE MANUFACTURERS LLC AND MAY NOT BE DUPLICATED OR REPRODUCED WITHOUT THE EXPRESS WRITTEN CONSENT OF DICKSON FURNITURE MANUFACTURERS LLC

REV
A
 DIMENSIONS
 ARE IN
 INCHES

SCALE: 1:10
 SHEET 2 OF 4



IMPORTANT INFORMATION

- X-270 AHB 8240XX TVP60R - 8240CRS - 60" TV Panel R-Accent -



Lift parts with at least 2 people

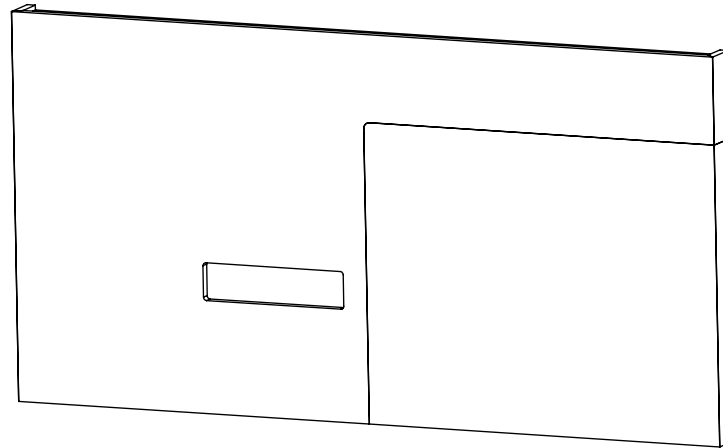
***RECOMMENDATIONS:**

- Read instructions before assembling
- Keep area clean
- Do not drag the parts
- Do not forget to wear PPE

***PERSONAL PROTECTION EQUIPMENT (PPE)**

- Hand Protection
- Eye Protection
- Waist Support belt

PARTS:



TV Panel

***Tools:**



Water level



Measuring Tape



Pencil



Drill

***Hardware:**



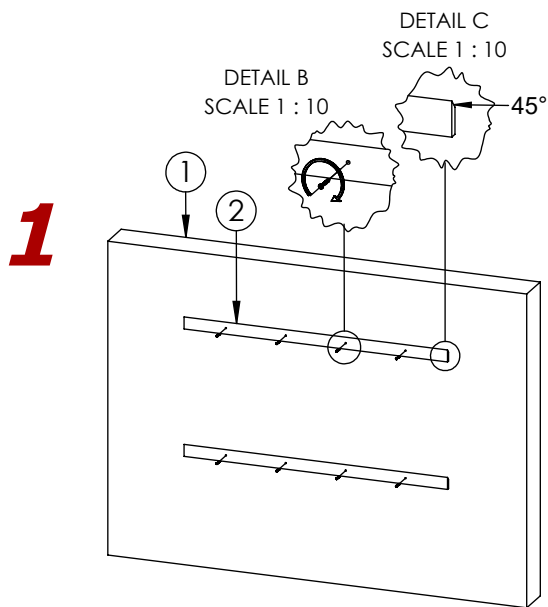
Screw

STEP #1

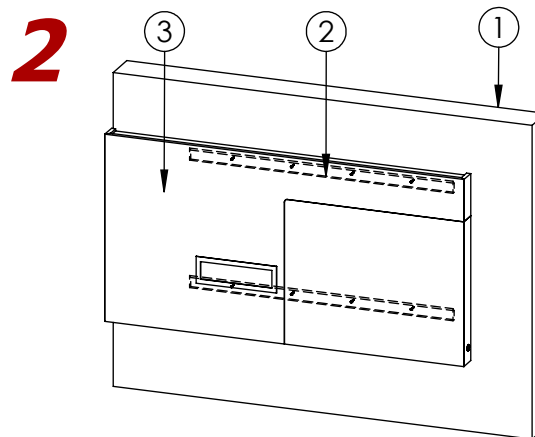
INSTALLATION INSTRUCTIONS

- X-270 AHB 8240XX TVP60R - 8240CRS - 60" TV Panel R-Accent -

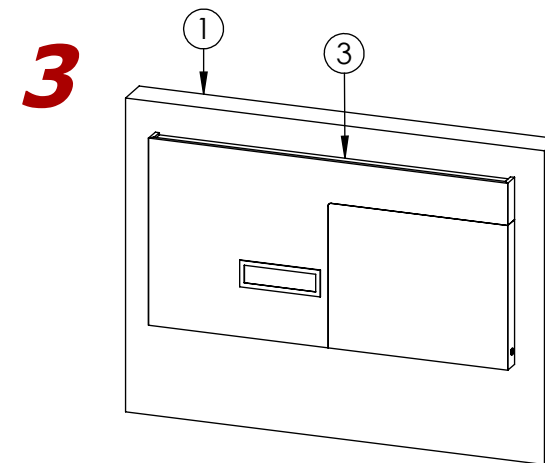
Note: To lift TV Panel use at least 2 people



Mount Center French Wall Cleats (2) on Wall (1). Screws go into studs.



Lift TV Panel (3) higher than Center French Wall Cleats (2) and slowly slide it down until it holds on Wall.



TV Panel completely assembled.